



6HGRC SERIES

10 to 18kV, 3.0 to 3.6A, Standard Recovery Rectifier Blocks with Mounting Slots



Features

- RC Compensated
- Epoxy Molded Encapsulation
- Threaded Brass Solder Terminal Inserts

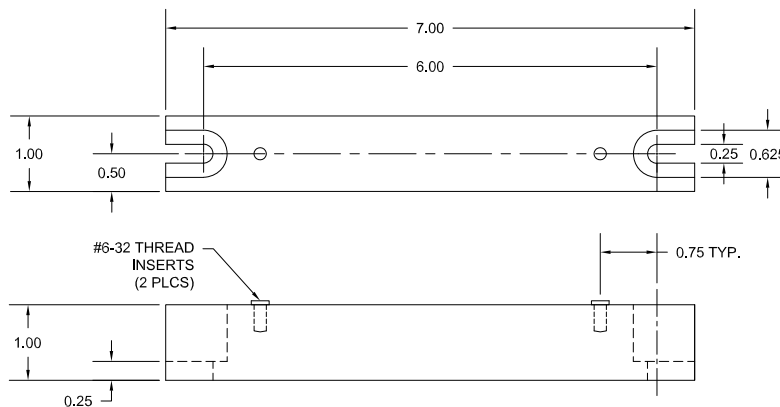
Specifications¹

Part Number	V_{RRM} V	I_{FAVM} A	V_F V	I_R μA	I_{FSM} A
6HG10RC	10000	3.6	10	500	400
6HG15RC	15000	3.3	15	500	400
6HG18RC	18000	3.0	18	500	400

Temperature °C	
Operating Temperature	-45 to 150
Storage Temperature	-45 to 150

¹125°C ambient temperature unless stated otherwise.

Drawings



Dimensions in inches, tolerances ± 0.020 except as noted

Specification Definitions

Specifications	Conditions
V_{RRM} Maximum Repetitive Reverse Voltage	-
I_{FAVM} Maximum Average Forward Current	At $T_A = 55^\circ C$
V_F Maximum Forward Voltage Drop	At I_{FAVM}
I_R Maximum Leakage Current	At V_{RRM}
I_{FSM} Maximum Surge Current	At 8.3 mS, Single Half Sine

Note: Specifications subject to change without notice. Photo is representation only.

