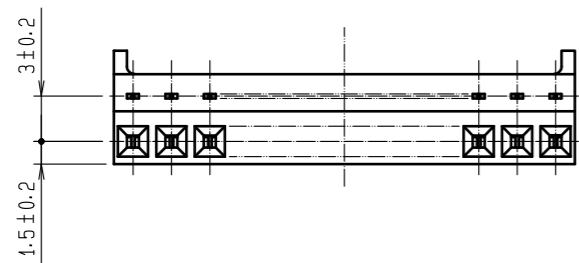
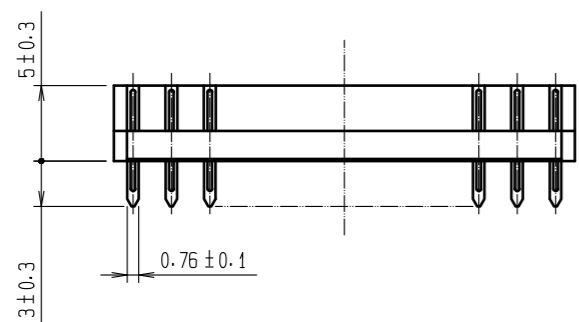
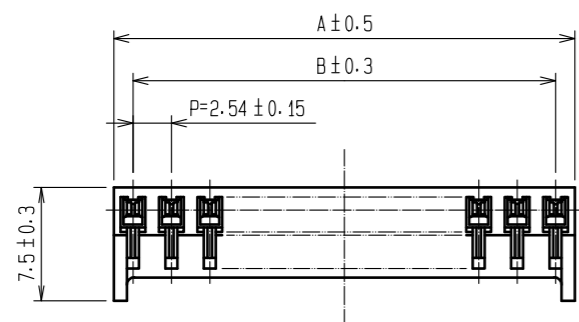
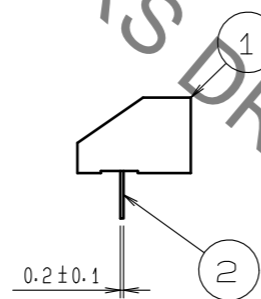


Aug.1.2022 Copyright 2022 HIROSE ELECTRIC CO., LTD. All Rights Reserved.
In case of consideration for using Automotive equipment / device which demand high reliability, kindly contact our sales window correspondents.

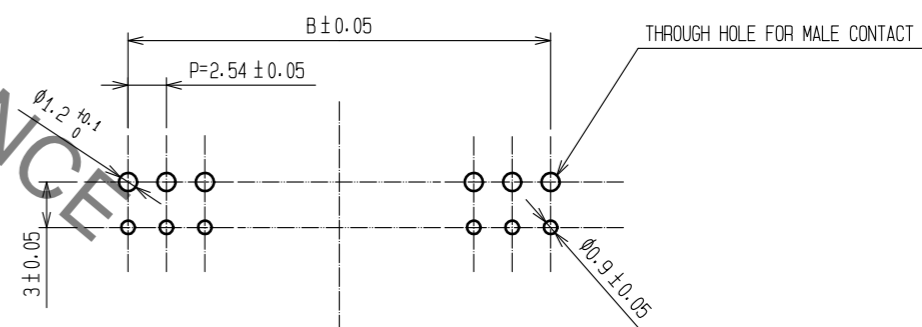


HRS DRAWING FOR REFERENCE



CODE NO.	PART NO.	NUMBER OF CONTACTS	A	B
CL547-0355-0-95	MDF7- 3S-2.54DSA(95)	3	7.62	5.08
CL547-0112-9-95	MDF7- 5S-2.54DSA(95)	5	12.70	10.16
CL547-0129-1-95	MDF7- 6S-2.54DSA(95)	6	15.24	12.70
CL547-0135-4-95	MDF7- 7S-2.54DSA(95)	7	17.78	15.24
CL547-0136-7-95	MDF7- 8S-2.54DSA(95)	8	20.32	17.78
CL547-0137-0-95	MDF7- 9S-2.54DSA(95)	9	22.86	20.32
CL547-0038-8-95	MDF7-10S-2.54DSA(95)	10	25.40	22.86
CL547-0138-2-95	MDF7-11S-2.54DSA(95)	11	27.94	25.40
CL547-0040-0-95	MDF7-12S-2.54DSA(95)	12	30.48	27.94
CL547-0139-5-95	MDF7-13S-2.54DSA(95)	13	33.02	30.48
CL547-0140-4-95	MDF7-14S-2.54DSA(95)	14	35.56	33.02
CL547-0012-4-95	MDF7-15S-2.54DSA(95)	15	38.10	35.56
CL547-0141-7-95	MDF7-16S-2.54DSA(95)	16	40.64	38.10
CL547-0142-0-95	MDF7-17S-2.54DSA(95)	17	43.18	40.64
CL547-0013-7-95	MDF7-18S-2.54DSA(95)	18	45.72	43.18
CL547-0143-2-95	MDF7-19S-2.54DSA(95)	19	48.26	45.72
CL547-0051-6-95	MDF7-20S-2.54DSA(95)	20	50.80	48.26
CL547-0144-5-95	MDF7-21S-2.54DSA(95)	21	53.34	50.80
CL547-0145-8-95	MDF7-22S-2.54DSA(95)	22	55.88	53.34
CL547-0146-0-95	MDF7-23S-2.54DSA(95)	23	58.42	55.88
CL547-0147-3-95	MDF7-24S-2.54DSA(95)	24	60.96	58.42
CL547-0014-0-95	MDF7-25S-2.54DSA(95)	25	63.50	60.96

RECOMMENDED PC BOARD HOLE PATTERN



1	POLYAMIDE	UL94V-0, BLACK	2	PHOSPHOR BRONZE	TIN PLATED 2µm min
NO.	MATERIAL	FINISH, REMARKS	NO.	MATERIAL	FINISH, REMARKS
UNITS mm		SCALE 2 : 1		DESCRIPTION OF REVISIONS	DESIGNED
	HIROSE ELECTRIC CO., LTD.	APPROVED : WR. FUKUCHI	18.02.22	DRAWING NO.	EDC-162738-95-00
		CHECKED : TS. MIYAZAKI	18.02.22	PART NO.	MDF7- * S-2.54DSA(95)
		DESIGNED : SH. HOSODA	18.02.21	CODE NO.	CL547-
		DRAWN : SN. NUMAZAKI	18.02.21		