



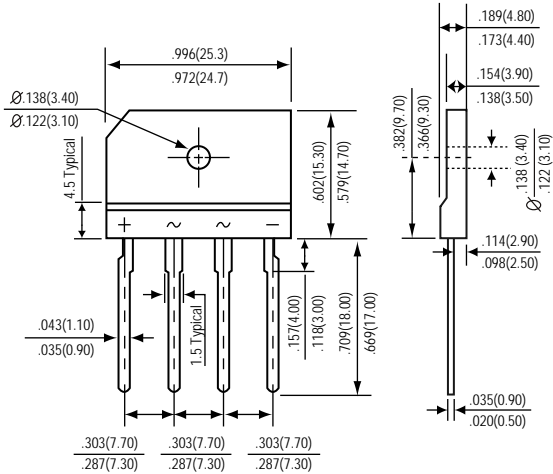
KBJ4D THRU KBJ4M

GLASS PASSIVATED BRIDGE RECTIFIER

Reverse Voltage - 200 to 1000 Volts

Forward Current - 4.0 Amperes

KBJ



*Dimensions in inches and (millimeters)



FEATURES

- * Compliance to RoHS product
- * Single-in-line package
- * High current capacity with small package
- * High Surge Current Capability
- * Ideal for Printed Circuit Board Applications
- * Plastic Material-UL Recognition Flammability Classification 94V-0

MECHANICAL DATA

Case : KBJ molded plastic

Terminals : Tin Plated, solderable per MIL-STD-750, Method 2026

Polarity : As marked on Body

MAXIMUM RATINGS AND ELECTRICAL CHARACTERISTICS

Ratings at 25 °C ambient temperature unless otherwise specified.	SYMBOLS	KBJ4D	KBJ4G	KBJ4J	KBJ4K	KBJ4M	UNITS
Maximum repetitive peak reverse voltage	VRRM	200	400	600	800	1000	Volts
Maximum RMS voltage	VRMS	140	280	420	560	700	Volts
Maximum DC blocking voltage	VDC	200	400	600	800	1000	Volts
Maximum average rectified forward current (NOTE 1) Tc=100 °C	I (AV)	4.0					Amps
Peak forward surge current 8.3ms single half sine-wave superimposed on rated load (JEDEC Method)	IFSM	120					Amps
Maximum instantaneous forward voltage @ If=2.0 A	VF	1.0					Volts
Maximum DC reverse current @Tc=25 °C at rated DC blocking voltage @Tc=125 °C	IR	5 500					uA
Typical junction capacitance per element (NOTE 2)	CJ	45					pF
Typical thermal resistance (NOTE 1, 3)	R θJC	4.2					°C / W
Operating junction and storage temperature	Tj, TSTG	-55 to +150					°C

NOTES : (1) Unit case mounted on Al plate heat-sink
 (2) Measured at 1.0 MHz and applied reverse voltage of 4.0 V DC.
 (3) Thermal resistance per leg on P.C.B. without heat-sink.

RATINGS AND CHARACTERISTIC CURVES KBJ4D THRU KBJ4M

FIG.1 - FORWARD CURRENT DERATING CURVE

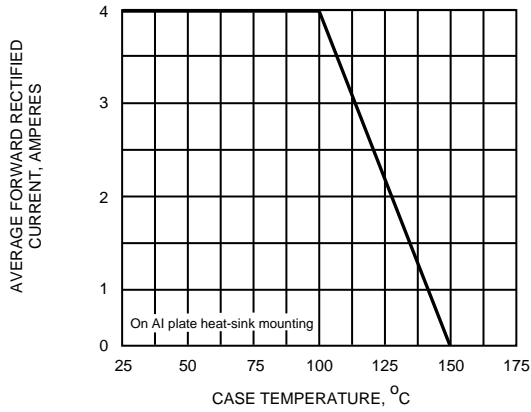


FIG.2 - MAXIMUM NON-REPETITIVE PEAK FORWARD SURGE CURRENT

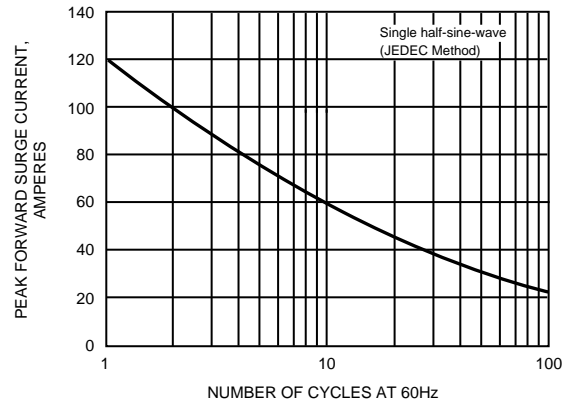


FIG.3 - TYPICAL INSTANTANEOUS FORWARD CHARACTERISTICS

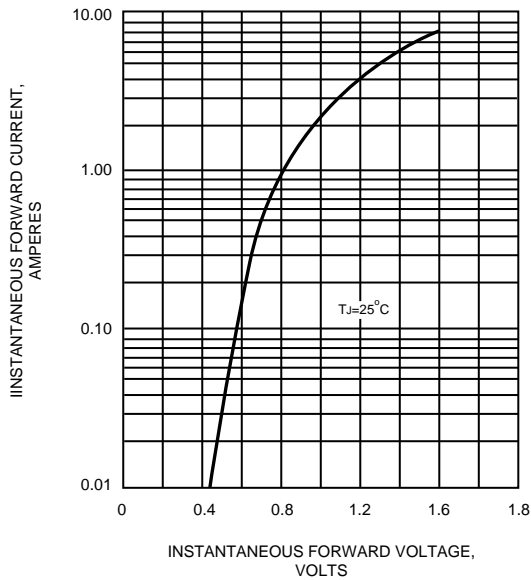


FIG.4 - TYPICAL REVERSE CHARACTERISTICS PER BRIDGE ELEMENT

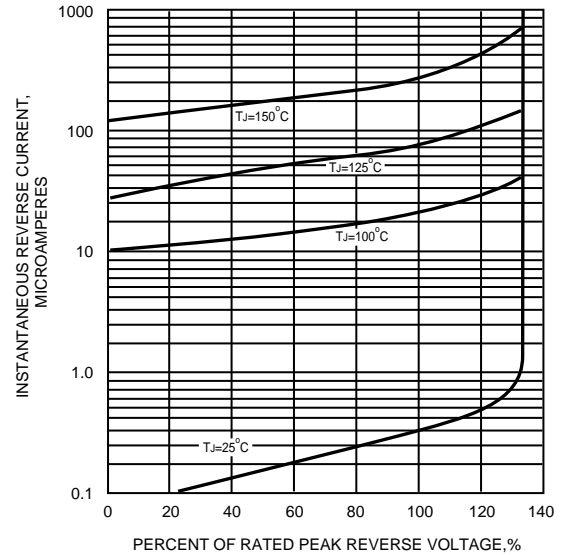


FIG.5 - TYPICAL JUNCTION CAPACITANCE

