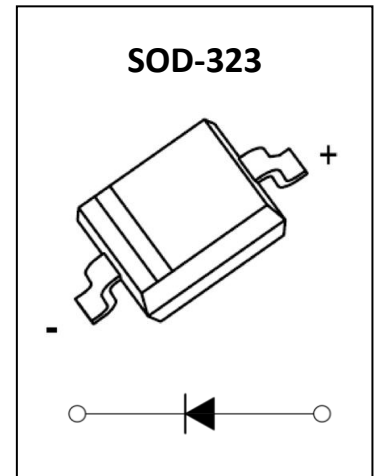
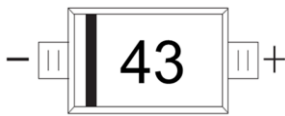


BAS40WS Schottky Barrier Diode

Feature

- Extremely Fast Switch Speed
- Low Forward Voltage

MARKING:



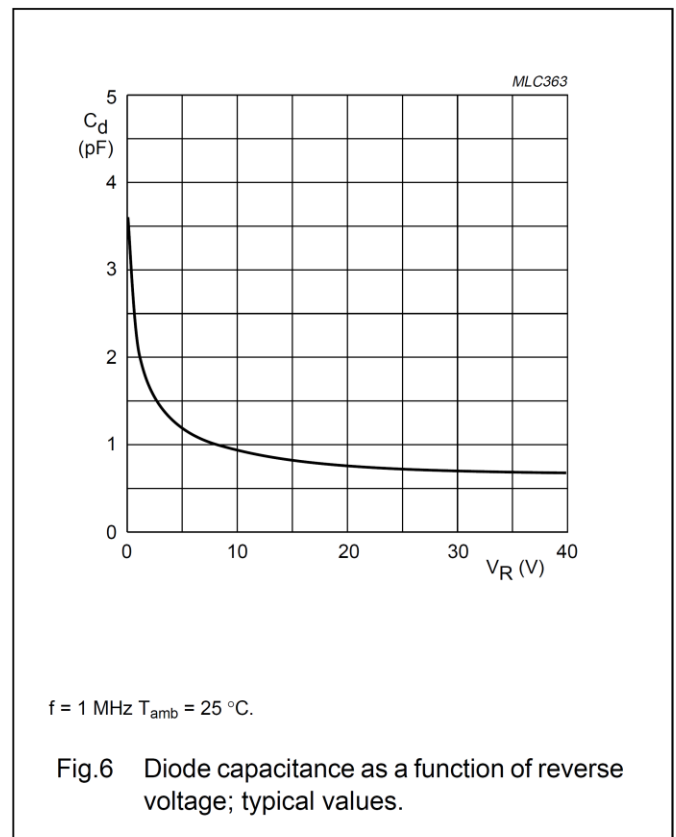
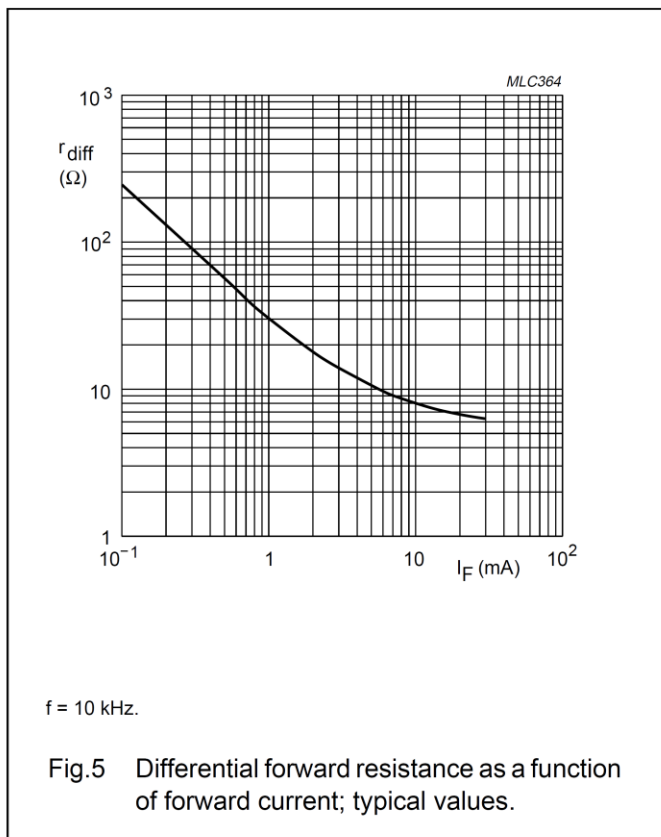
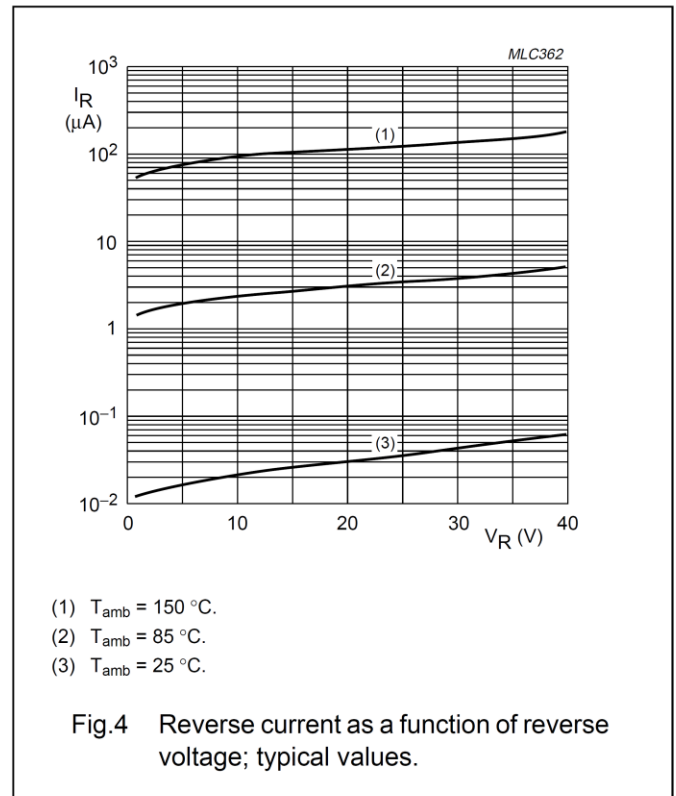
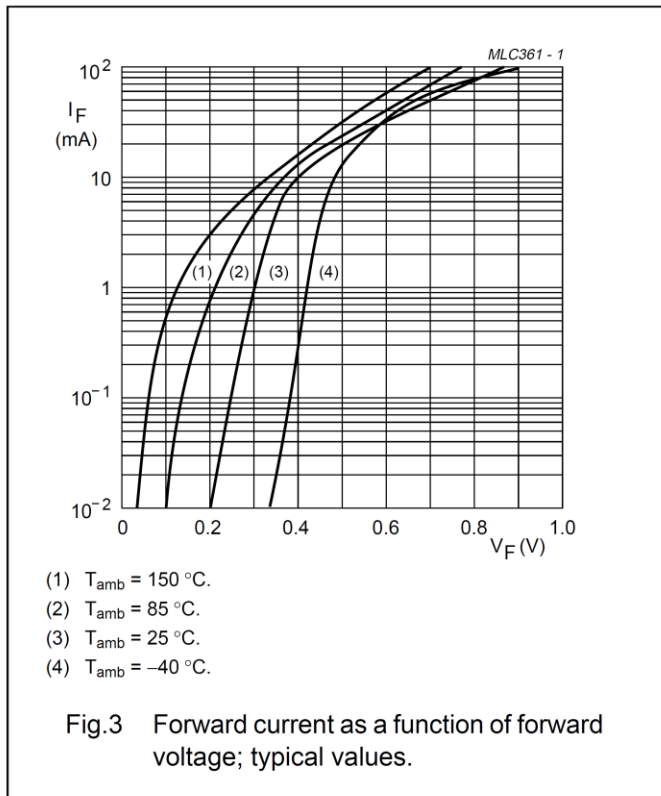
ABSOLUTE MAXIMUM RATINGS ($T_a=25^{\circ}\text{C}$ unless otherwise noted)

Parameter	Symbol	Value	Unit
DC reverse voltage	V_R	40	V
Mean rectifying current	I_o	0.12	A
Non-repetitive Peak Forward Surge Current @ $t=8.3\text{ms}$	I_{FSM}	0.6	A
Junction Temperature	T_J	125	$^{\circ}\text{C}$
Storage Temperature Range	T_{STG}	-55 ~ +150	$^{\circ}\text{C}$

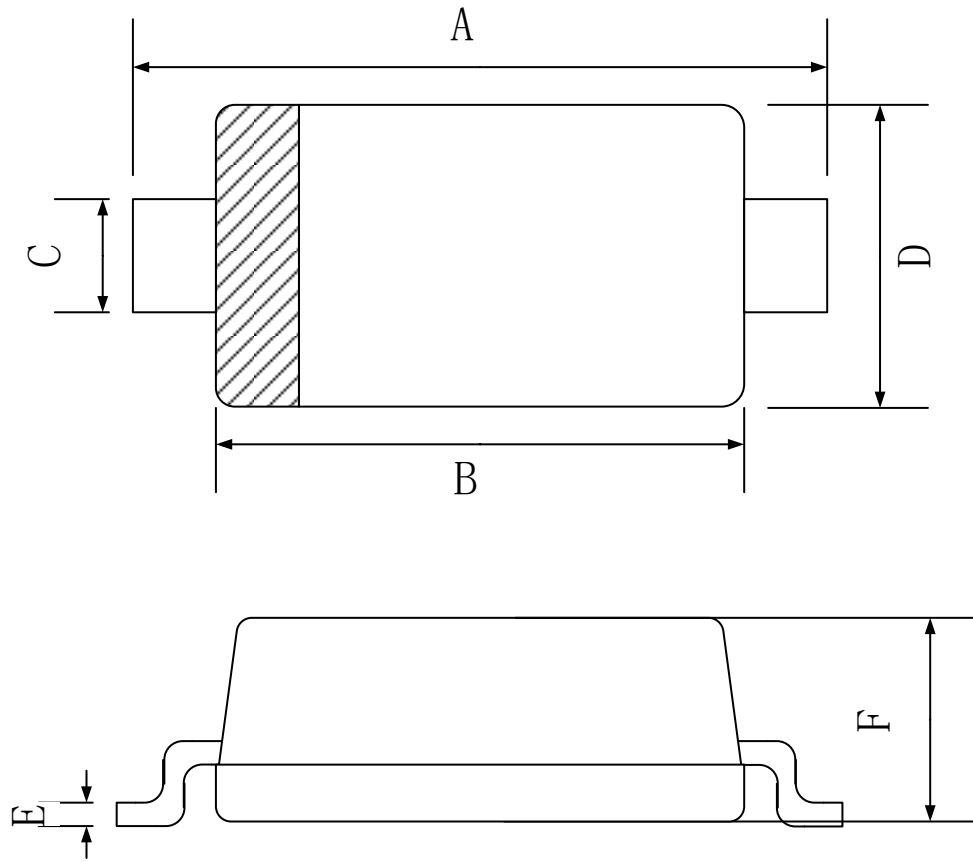
ELECTRICAL CHARACTERISTICS ($T_a=25^{\circ}\text{C}$ unless otherwise noted)

Parameter	Symbol	Test Condition	Min	Type	Max	Unit
Reverse breakdown voltage	$V_{(BR)}$	$I_R=100\mu\text{A}$	30			V
Forward voltage	V_{F1}	$I_F=1\text{mA}$			0.38	V
	V_{F2}	$I_F=10\text{mA}$			0.50	V
	V_{F3}	$I_F=40\text{mA}$			1	V
Reverse current	I_R	$V_R=30\text{V}$			1	μA
		$V_R=40\text{V}$			10	μA
Capacitance between terminals	C_T	$V_R=1\text{V}, f=1\text{MHz}$			5	pF

Typical Characteristics



SOD-323 Package Outline Dimensions



Symbol	Dimensions In Millimeters		
	Min.	Typ.	Max.
A	2.30	2.50	2.70
B	1.60	1.70	1.90
C	0.25	0.325	0.40
D	1.15	1.25	1.35
E	0.089	0.095	0.101
F	0.80	0.90	1.00