



**ANATECH ELECTRONICS INC**  
RF & Microwave Filters & Products

# 4395-5005 MHz / 5245-5855 MHz Cavity Duplexer

**Part Number: AD4700-5550D429**

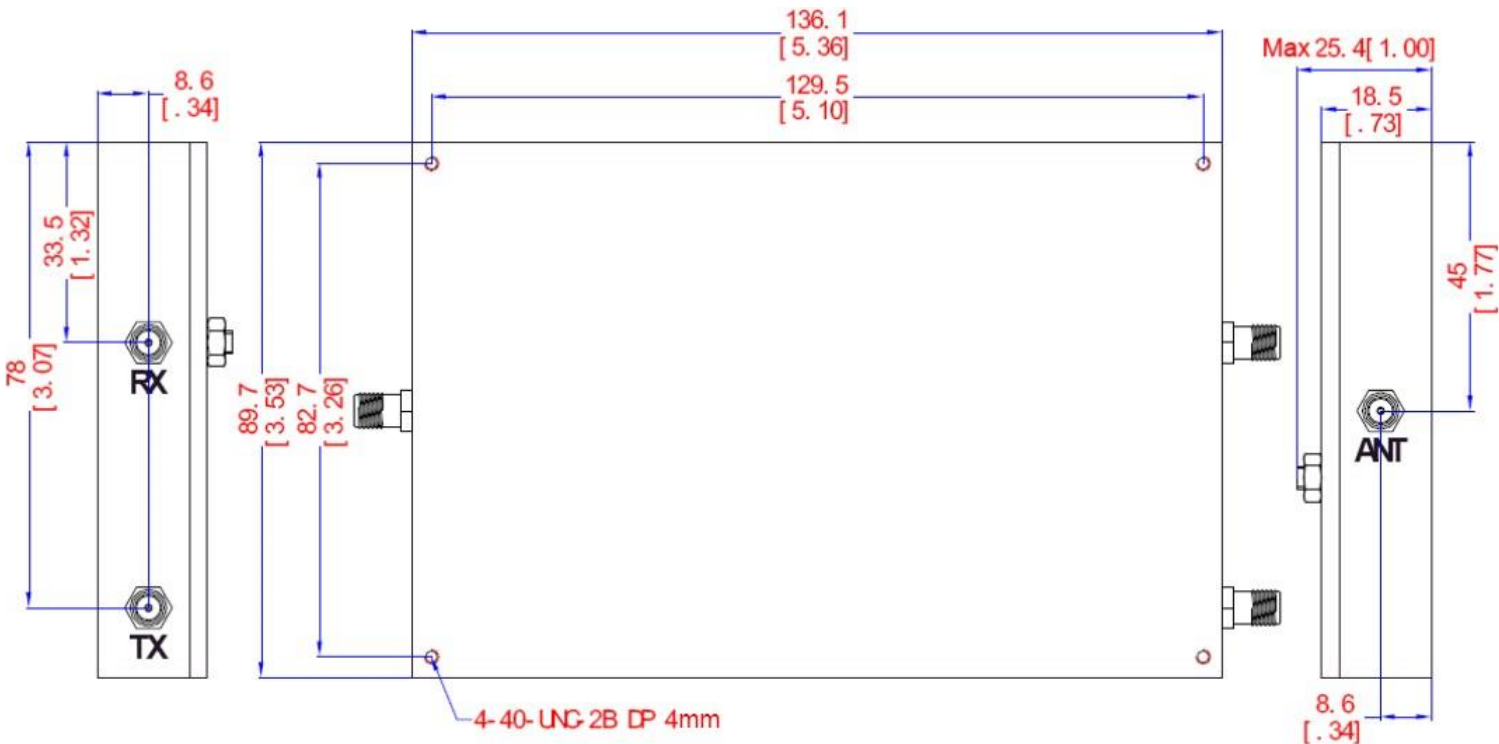


Characteristics	Band 1 (RX)	Band 2 (TX)
Passband:	4395-5005 MHz	5245-5855 MHz
Bandwidth:	610 MHz	610 MHz
Passband Return Loss:	≥16 dB	≥16 dB
Passband Insertion Loss:	≤0.8 dB	≤0.8 dB
Passband Ripple:	≤0.35 dB	≤0.35 dB
Input / Output Impedance:	50 Ohms	50 Ohms
Isolation:	≥90dB	≥90dB
Power Handling:	35 Watts	35 Watts

Mechanical	
Mounting Method:	Threaded Mounting Holes
Connector Type:	SMA (F)
Dimensions:	5.36 x 3.53 x .73 inches

Environmental	
Operating Temperature:	-40 to +70 deg.C
Storage Temperature:	-50 to +90 deg.C

## Outline Drawing:



Tolerance: +/-0.01 inches [+/- 0.3mm] Angles:  
+/- 1 Deg.

\*Tolerance as shown unless otherwise specified in the datasheet electrical specification tables above.

\*When max dimensions are called out the above tolerances do not apply as long as it is under the max call out.



**ANATECH ELECTRONICS INC**  
RF & Microwave Filters & Products

**4395-5005 MHz / 5245-5855 MHz**  
**Cavity Duplexer**

**Part Number: AD4700-5550D429**



**Response Plot:**

9/23/2021 2:40:10 PM

