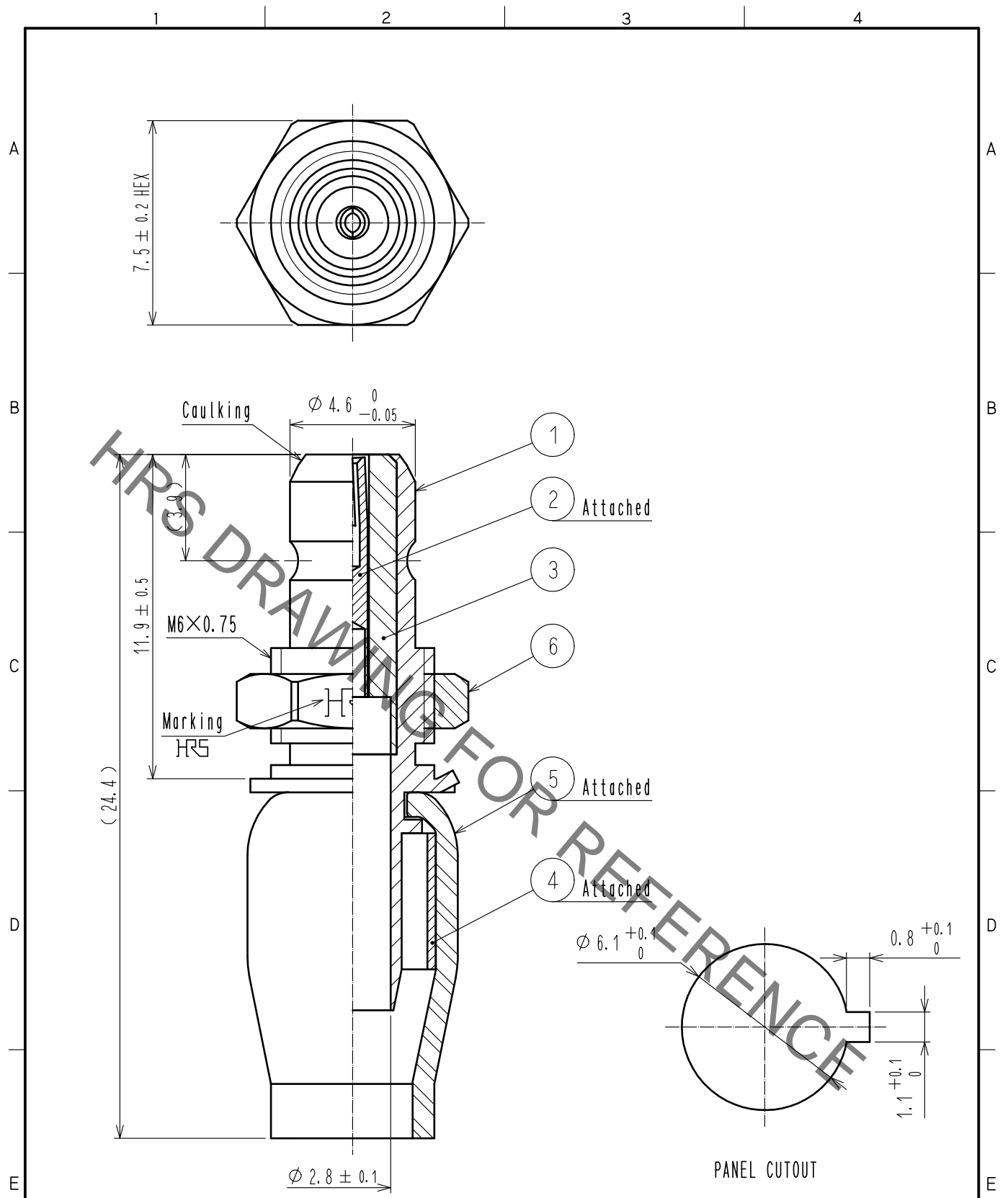


Aug.1.2022 Copyright 2022 HIROSE ELECTRIC CO., LTD. All Rights Reserved.
 In case of consideration for using Automotive equipment / device which demand high reliability, kindly contact our sales window correspondents.



3	PTFE		6	BRASS	GOLD PLATING
2	BERYLLIUM COPPER	GOLD PLATING	5	FLEXIBLE PVC	(GRAY)
1	BRASS	GOLD PLATING	4	COPPER	NICKEL PLATING
NO.	MATERIAL	FINISH . REMARKS	NO.	MATERIAL	FINISH . REMARKS

UNITS mm		SCALE 5 : 1	COUNT 	DESCRIPTION OF REVISIONS	DESIGNED	CHECKED	DATE
HIROSE ELECTRIC CO., LTD.		APPROVED :NK. NINOMIYA	20220117	DRAWING NO.	EDC-003710-40-00		
		CHECKED :NK. NINOMIYA	20220117	PART NO.	MSS-PJ-2.5(40)		
		DESIGNED :MT. KANEKO	20220114	CODE NO.	CL0319-0016-0-40		
		DRAWN :YK. MITSUISHI	20220114				