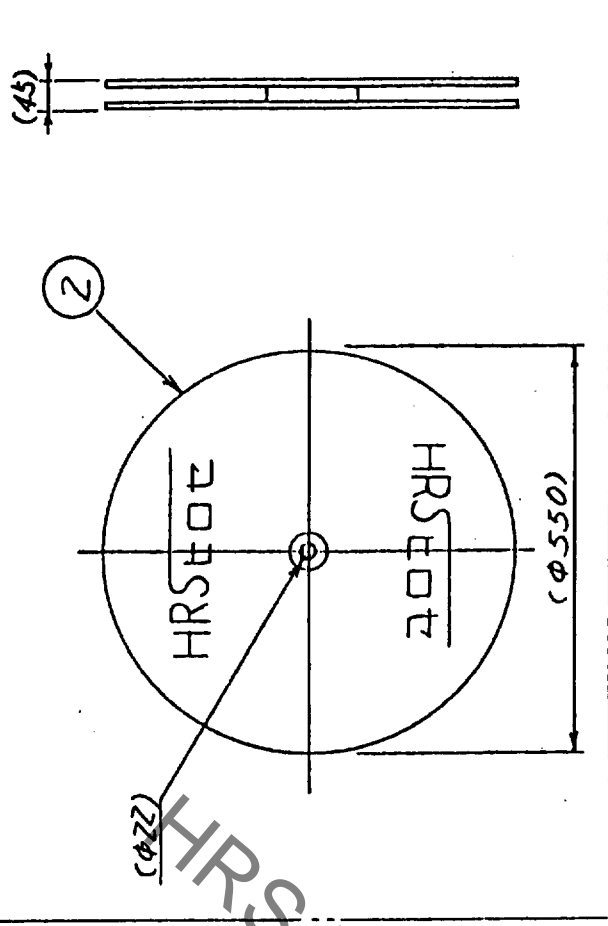
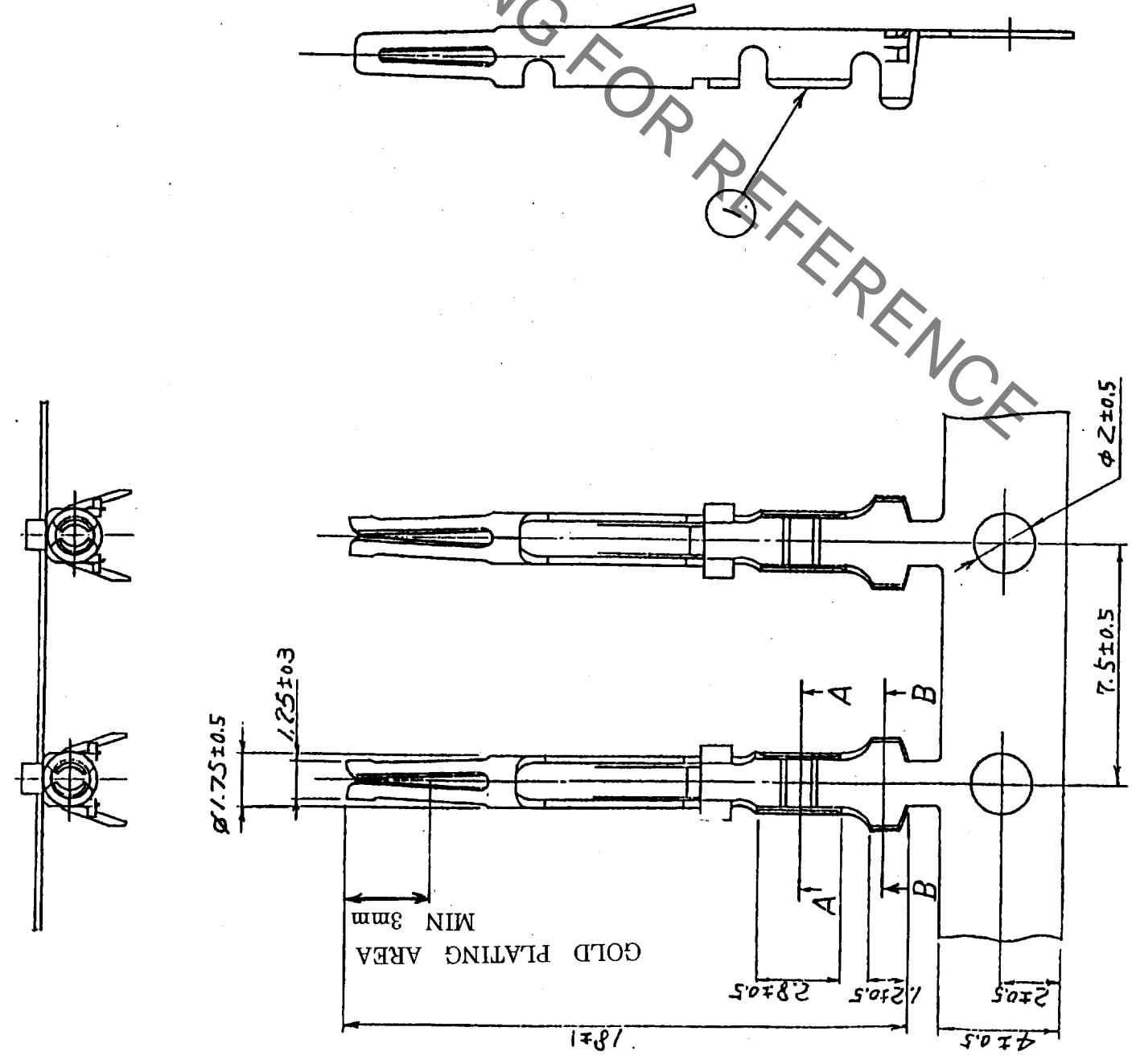
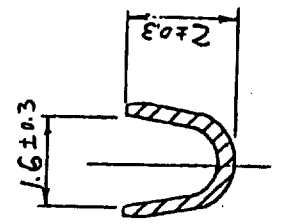


NO.	DESCRIPTION OF REVISIONS	BY	CHKD	DATE	COUNT	DESCRIPTION OF REVISIONS	BY	CHKD	DATE

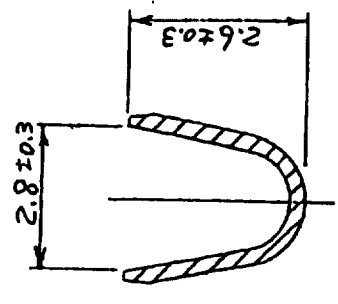
REEL 1:10



A-A 1:10



B-B 1:10



TO
Q1

NO.	MATERIAL	FINISH, REMARKS	DRAWN	CARTON		FINISH, REMARKS
				NO.	MATERIAL	
1	PHOSPHOR BRONZE SELECTIVE GOLD PLATING OVER NICKEL		T.A.SO	2		

CODE NO. (COLD)	DESIGNED	CHECKED	APPROVED	RELEASED
	T.A.SO	H. Yamada	H. Yamada	
	98.6.1	98.6.2	98.6.2	

DRAWING NO.	PART NO.
EDC3-09354	CD-SC-211

SCALE	CODE NO.
2:1	211-0203-8
UNITS	
mm	

**HRS** HIROSE ELECTRIC CO., LTD.