

GENERAL DESCRIPTION

The XRK39351 is a low voltage PLL based clock driver designed for high speed clock distribution applications.

The XRK39351 has two reference clock inputs, one LVPECL and the other LVCMOS. The REF_SEL input selects clock input to be used as the PLL's reference source.

The XRK39351 uses PLL technology to frequency lock its outputs to the clock reference input. The divider in the feedback path will determine the frequency of the VCO. The XRK39351 provides 9 LVCMOS outputs that are separated into 4 banks. Each of the separate output banks can individually divide down the VCO output frequency. This allows the XRK39351 to generate a variety of output-to-input frequency ratios (1:1, 1:2, 1:4, 2:1 and 4:1). All outputs provide LVCMOS compatible levels while driving 50Ω terminated transmission lines.

The input reference clock can be directly applied to the output dividers bypassing the PLL when PLL_EN

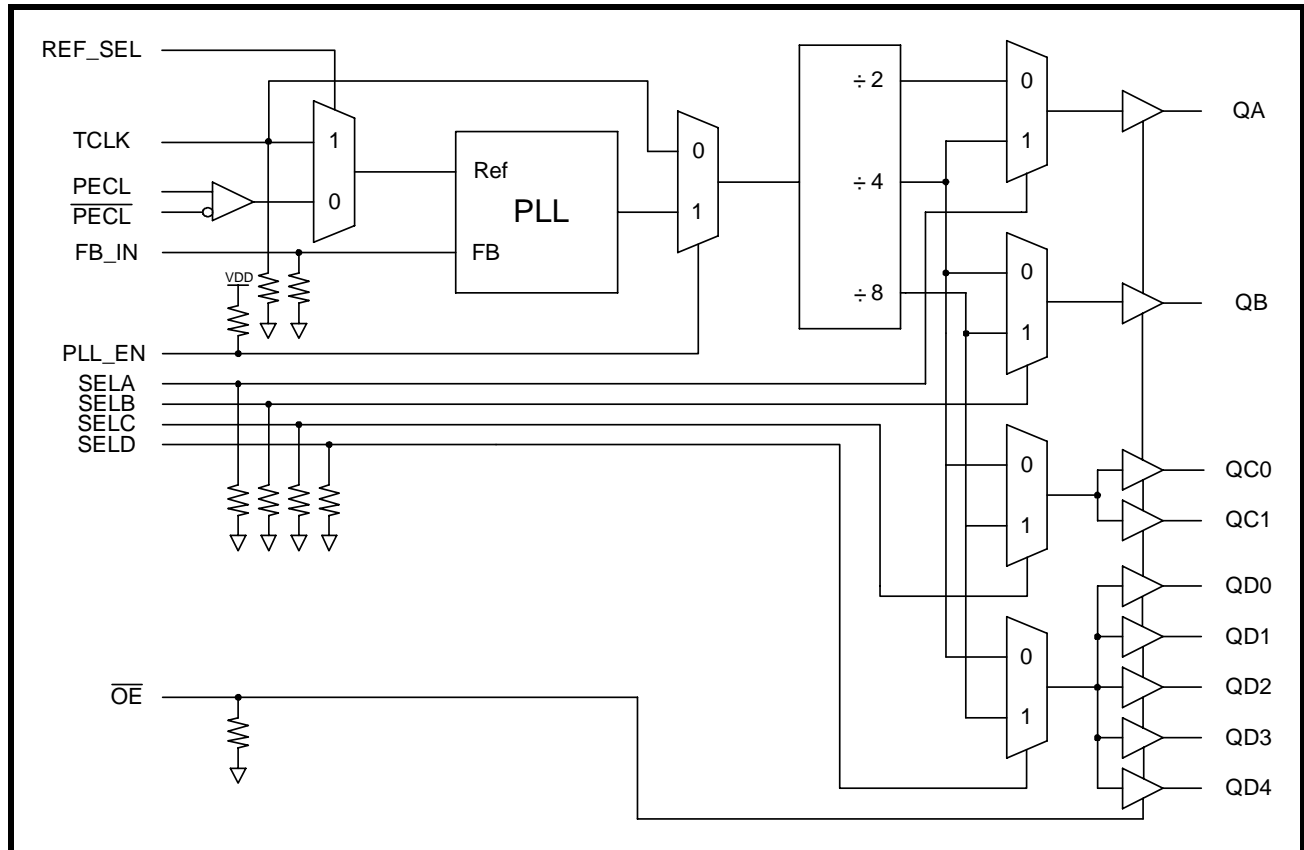
input is pulled low. This is a test mode intended for system debug purposes.

The XRK39351 has an output/input frequency range of 25MHz to 200MHz with the PLL enabled and an input frequency range of 2MHz to 300MHz when the PLL is disabled (test mode).

FEATURES

- 9 LVCMOS Outputs (4 banks)
- 25 - 200 MHz output frequency range
- Fully Integrated PLL
- 2.5V or 3.3V Operation
- Selectable reference clock input, LVCMOS or LVPECL
- 150ps max output to output skew
- Pin compatible with MPC9351
- Industrial temp range: -40°C to +85°C
- 32-Lead TQFP Packaging

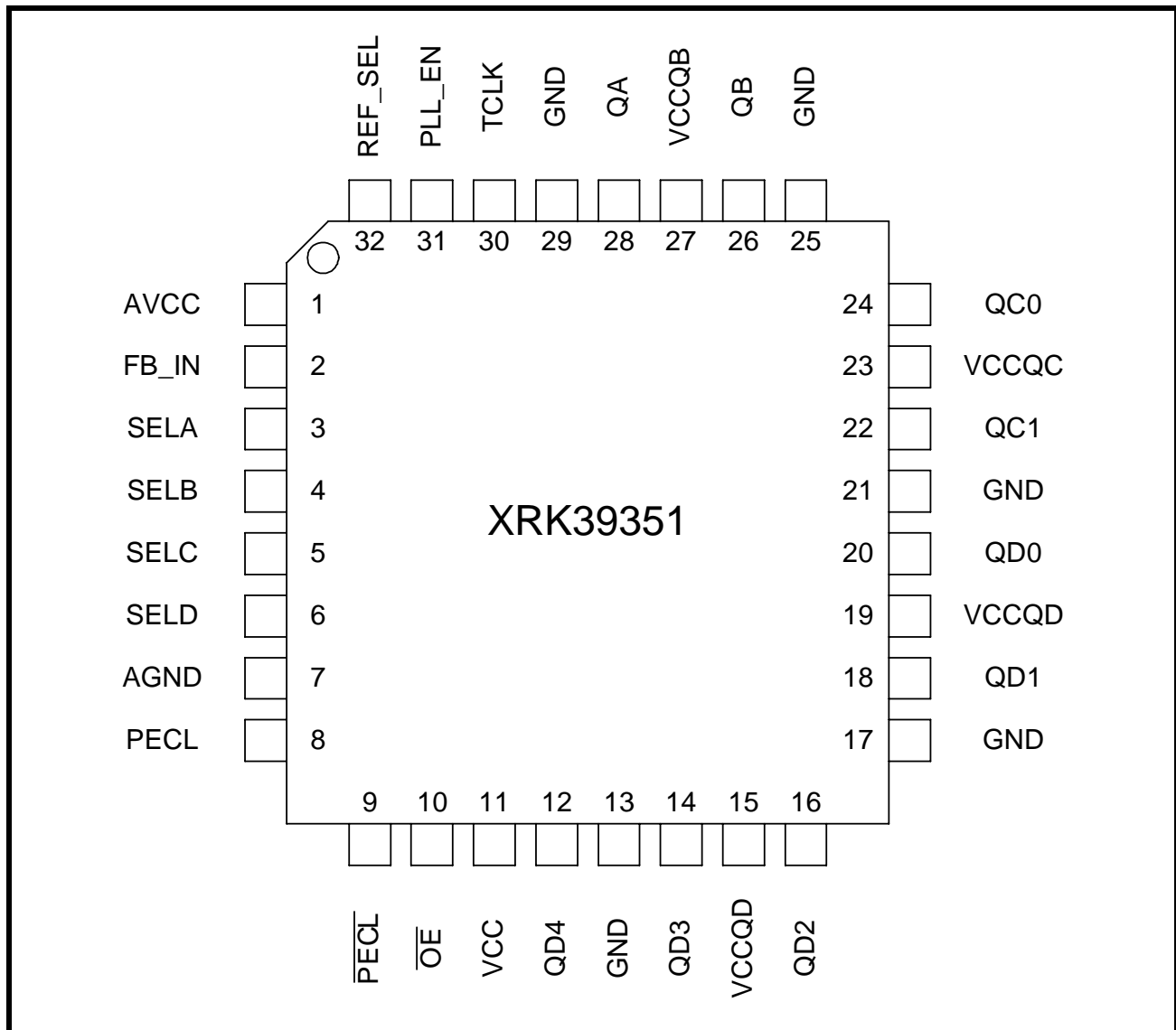
FIGURE 1. BLOCK DIAGRAM OF THE XRK39351



PRODUCT ORDERING INFORMATION

PRODUCT NUMBER	PACKAGE TYPE	OPERATING TEMPERATURE RANGE
XRK39351CQ	32-Lead TQFP	0°C to +70°C
XRK39351IQ	32-Lead TQFP	-40°C to +85°C

FIGURE 2. PIN OUT OF THE XRK39351



PIN DESCRIPTIONS

NUMBER	NAME	TYPE		DESCRIPTION
1	AVCC	Power		Power supply for PLL
2	FB_IN	Input	pull-down	External PLL feedback clock input
3	SELA	Input	pull-down	Selects divider value for Bank A output
4	SELB	Input	pull-down	Selects divider value for Bank B output
5	SELC	Input	pull-down	Selects divider value for Bank C outputs
6	SELD	Input	pull-down	Selects divider value for Bank D outputs
7	AGND	Power		PLL ground
8	PECL	Input		LVPECL - pos differential reference clock
9	$\overline{\text{PECL}}$	Input		LVPECL - neg differential reference clock
10	$\overline{\text{OE}}$	Input	pull-down	Output enable/disable and device reset
11	VCC	Power		Power supply for core, inputs and bank A output clock
12, 14, 16, 18, 20	QD[4:0]	Output		Bank D clock outputs
13, 17, 21, 25, 29	GND	Power		Ground
15, 19	VCCQD	Power		Power supply for bank D output clocks
20, 22	QC[1:0]	Output		Bank C clock outputs
23	VCCQC	Power		Power supply for bank C output clocks
26	QB	Output		Bank B clock output
27	VCCQB	Power		Power supply for bank B output clock
28	QA	Output		Bank A clock output
30	TCLK	Input	pull-down	LVC MOS reference clock input
31	PLL_EN	Input	pull-up	Selects PLL or PLL-bypass (test mode) operation
32	REF_SEL	Input	pull-down	Selects primary reference clock source

TABLE 1: CONTROL INPUT FUNCTION TABLE

PIN NAME	0	1	DEFAULT
REF_SEL	PECL clock inputs selected as reference	TCLK input selected as reference	0
PLL_EN	PLL is bypassed. Test Mode. TCLK reference source drives the divider select blocks	PLL enabled. Normal operation. VCO output drives the divider select blocks	1
SELA	Bank A divider = 2	Bank A divider = 4	0
SELB	Bank B divider = 4	Bank B divider = 8	0
SELC	Bank C divider = 4	Bank C divider = 8	0
SELD	Bank D divider = 4	Bank D divider = 8	0
OE	Outputs enabled	Outputs tri-stated, VCO running at minimum frequency	0

DC CHARACTERISTICS ($V_{CC} = 3.3 \pm 5\%$, $T_A = -40^\circ\text{C}$ TO $+85^\circ\text{C}$)

SYMBOL	CHARACTERISTICS	MIN	TYP	MAX	UNIT	CONDITION
V_{CMR}^a	PECL Clock inputs common mode range	1.2		$V_{CC}-0.9$	V	
V_{PP}	PECL Clock peak-to-peak input voltage	500		1000	mV	
V_{IH}	Input voltage high	2.0		$V_{CC}+0.3$	V	
V_{IL}	Input voltage low			0.8	V	
V_{OH}	Output High Voltage ^a	2.4			V	$I_{OH} = -24\text{mA}$
V_{OL}	Output Low Voltage ^a			0.55 0.30	V V	$I_{OL} = 24\text{mA}$ $I_{OL} = 12\text{mA}$
Z_{OUT}	Output Impedance		14-17		Ω	
I_{IN}	Input leakage current			± 150	μA	$V_{IN} = V_{CC}$ or $V_{IN} = \text{GND}$
I_{CC_PLL}	Maximum PLL supply current		3.0	5.0	mA	$A_{V_{CC}}$ pin
I_{CC}	Maximum Quiescent supply current			4	mA	All V_{CCQX} pins
V_{TT}	Output Termination Voltage		$V_{CC} \div 2$		V	

a. V_{CMR} is the cross point of the differential input signal.

AC CHARACTERISTICS ($V_{CC} = 3.3 \pm 5\%$, $T_A = -40^\circ\text{C}$ TO $+85^\circ\text{C}$)^a

SYMBOL	PARAMETER	MIN	TYP	MAX	UNIT	CONDITION	
f_{VCO}	VCO Frequency	200		400	MHz		
f_{ref}	Input Reference Frequency	$\div 2$ feedback $\div 4$ feedback $\div 8$ feedback PLL Bypass	100 50 25 2		200 100 50 300	MHz PLL_EN = 1 PLL_EN = 1 PLL_EN = 1 PLL_EN = 0	
f_{MAX}	Max Output Frequency	$\div 2$ feedback $\div 4$ feedback $\div 8$ feedback	100 50 25		200 100 50	MHz	
t_{ir}/t_{if}	Input Rise/Fall time			1.0	ns	0.8 to 2.0V	
f_{refDC}	Input Clock duty cycle	25		75	%		
t_{pd}	Propagation Delay - (SPO, Input clock to FB)						
	TCLK to FB_IN	-50		150	ps	PLL Locked	
	PECL to FB_IN	-25		325	ps	PLL Locked	
t_{skew}	Output-to-Output Skew			150	ps		
$t_{JIT(CC)}$	Cycle-to-Cycle Jitter (RMS)	$\div 4$ feedback	10	22	ps	All outputs set to $\div 4$	
$t_{JIT(PER)}$	Period Jitter (RMS)	$\div 4$ feedback	8	15	ps	All outputs set to $\div 4$	
$t_{JIT(I/O)}$	I/O Phase Jitter (RMS)		4 - 17		ps		
BW	PLL bandwidth	$\div 2$ feedback $\div 4$ feedback $\div 8$ feedback	9.0-20.0 3.0-9.5 1.2-2.1		MHz MHz MHz		
DC	Output duty cycle	$\div 2$ feedback $\div 4$ feedback $\div 8$ feedback	45 47.5 48.75	50 50 50	55 52.5 51.75	% % %	100 - 200MHz 50 - 100MHz 25 - 50MHz
t_{LOCK}	Maximum PLL Lock Time			1.0	ms		
t_{or}/t_{of}	Output Rise/Fall time	100		1000	ps	0.55 to 2.4V	
$t_{PLZ,HZ}$	Output Disable Time			10	ns		
$t_{PHZ,LZ}$	Output Enable Time			10	ns		

a. AC characteristics apply for parallel output termination of 50Ω to V_{TT} .

DC CHARACTERISTICS ($V_{CC} = 2.5 \pm 5\%$, $T_A = -40^\circ\text{C}$ TO $+85^\circ\text{C}$)

SYMBOL	CHARACTERISTICS	MIN	TYP	MAX	UNIT	CONDITION
V_{CMR}^a	PECL Clock inputs common mode range	1.2		$V_{CC}-0.6$	V	
V_{PP}	PECL Clock peak-to-peak input voltage	500		1000	mV	
V_{IH}	Input voltage high	1.7		$V_{CC}+0.3$	V	
V_{IL}	Input voltage low			0.7	V	
V_{OH}	Output High Voltage	1.8			V	$I_{OH}=-15\text{mA}$
V_{OL}	Output Low Voltage			0.6	V	$I_{OL}=15\text{mA}$
Z_{OUT}	Output Impedance		17-20		Ω	
I_{IN}	Input leakage current			± 150	μA	$V_{IN}=V_{CC}$ or $V_{IN}=\text{GND}$
I_{CC_PLL}	Maximum PLL supply current		3.0	5.0	mA	AV_{CC} pin
I_{CC}	Maximum Quiescent supply current			1	mA	All V_{CCQX} pins
V_{TT}	Output Termination Voltage		$V_{CC}\div 2$		V	

a. V_{CMR} is the cross point of the differential input signal.

AC CHARACTERISTICS ($V_{CC} = 2.5 \pm 5\%$, $T_A = -40^\circ\text{C}$ TO $+85^\circ\text{C}$)^a

SYMBOL	PARAMETER	MIN	TYP	MAX	UNIT	CONDITION	
f_{VCO}	VCO Frequency	200		400	MHz		
f_{ref}	Input Reference Frequency	$\div 2$ feedback $\div 4$ feedback $\div 8$ feedback PLL Bypass	100 50 25		200 100 50	MHz MHz MHz MHz	PLL_EN = 1 PLL_EN = 1 PLL_EN = 1 PLL_EN = 0
f_{MAX}	Max Output Frequency	$\div 2$ feedback $\div 4$ feedback $\div 8$ feedback	100 50 25		200 100 50	MHz MHz MHz	
t_{ir}/t_{if}	Input Rise/Fall time			1.0	ns	0.7 to 1.7V	
f_{refDC}	Input Clock duty cycle	25		75	%		
t_{pd}	Propagation Delay - (SPO, Input clock to FB)						
	TCLK to FB_IN	-100		100	ps	PLL Locked	
	PECL to FB_IN	0		300	ps	PLL Locked	
t_{skew}	Output-to-Output Skew			150	ps		
$t_{JIT(CC)}$	Cycle-to-Cycle Jitter (RMS)	$\div 4$ feedback	10	22	ps	All outputs set to $\div 4$	
$t_{JIT(PER)}$	Period Jitter (RMS)	$\div 4$ feedback	8	15	ps	All outputs set to $\div 4$	
$t_{JIT(I/O)}$	I/O Phase Jitter (RMS)		6 - 25		ps		
BW	PLL bandwidth	$\div 2$ feedback $\div 4$ feedback $\div 8$ feedback	4.0-15.0 2.0-7.0 0.7-2.0		MHz MHz MHz		
DC	Output duty cycle	$\div 2$ feedback $\div 4$ feedback $\div 8$ feedback	45 47.5 48.75	50 50 50	55 52.5 51.75	% % %	100 - 200MHz 50 - 100MHz 25 - 50MHz
t_{LOCK}	Maximum PLL Lock Time			1.0	ms		
t_{or}/t_{of}	Output Rise/Fall time	100		1000	ps	0.6 to 1.8V	
$t_{PLZ,HZ}$	Output Disable Time			12	ns		
$t_{PHZ,LZ}$	Output Enable Time			12	ns		

a. AC characteristics apply for parallel output termination of 50Ω to V_{TT} .

ABSOLUTE MAXIMUM RATINGS^a

SYMBOL	CHARACTERISTICS	MIN	MAX	UNIT	CONDITION
V _{CC}	Supply Voltage	-0.3	4.6	V	
V _{IN}	DC Input Voltage	-0.3	V _{CC} +0.3	V	
V _{OUT}	DC Output Voltage	-0.3	V _{CC} +0.3	V	
I _{IN}	DC Input Current		±20	mA	
I _{OUT}	DC Output Current		±50	mA	
T _S	Storage Temperature	-55	150	°C	

a. Absolute maximum continuous ratings are those maximum values beyond which damage to the device may occur. Exposure to these conditions or conditions beyond those indicated may adversely affect device reliability.

GENERAL SPECIFICATIONS

SYMBOL	CHARACTERISTICS	MIN	TYP	MAX	UNIT	CONDITION
V _{TT}	Output termination voltage		V _{CC} ÷2		V	
MM	ESD Protection (Machine model)	200			V	
HBM	ESD Protection (Human body model)	2000			V	
LU	Latch-up immunity	200			mA	
C _{IN}	Input Capacitance		4.0		pF	Inputs
θ _{JA}	Thermal resistance junction to ambient JESD 51-3, single layer test board			62.0	°C/W	Natural convection
	JESD 51-6, multi layer test board			47	°C/W	
θ _{JC}	Thermal resistance junction to case			14	°C/W	
	Operating junction temperature			115	°C	

FIGURE 3. OUTPUT-TO-OUTPUT SKEW t_{SK(O)}

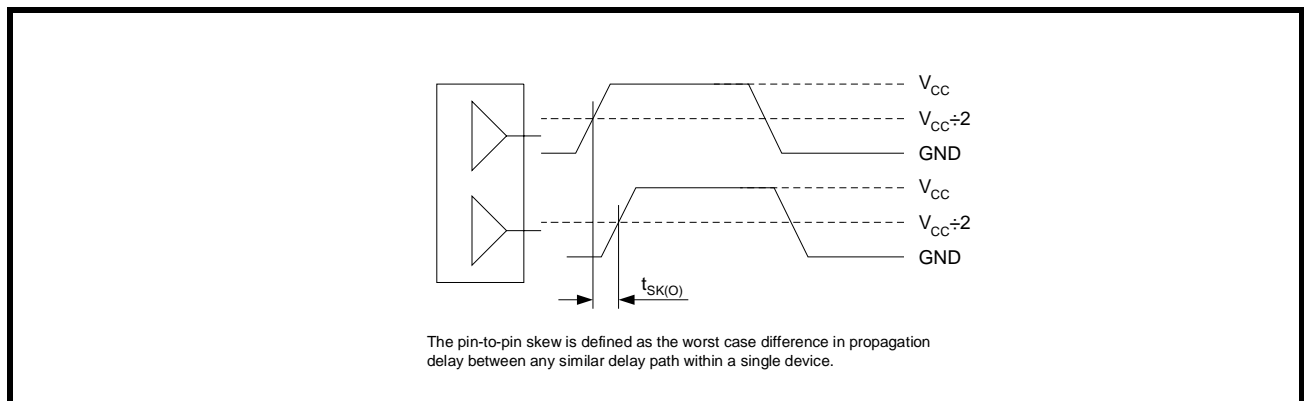


FIGURE 4. PROPOGATION DELAY ($t_{(\phi)}$, STATIC PHASE OFFSET) TEST REFERENCE

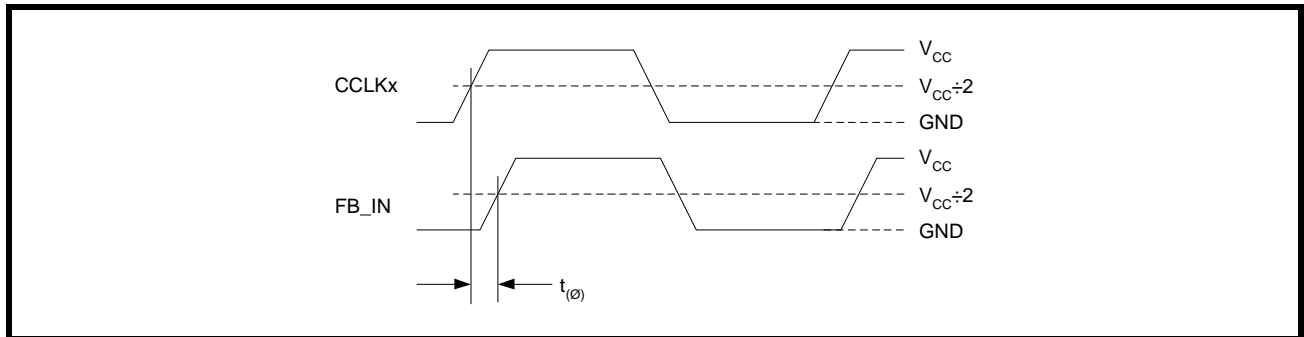


FIGURE 5. OUTPUT DUTY CYCLE (DC)

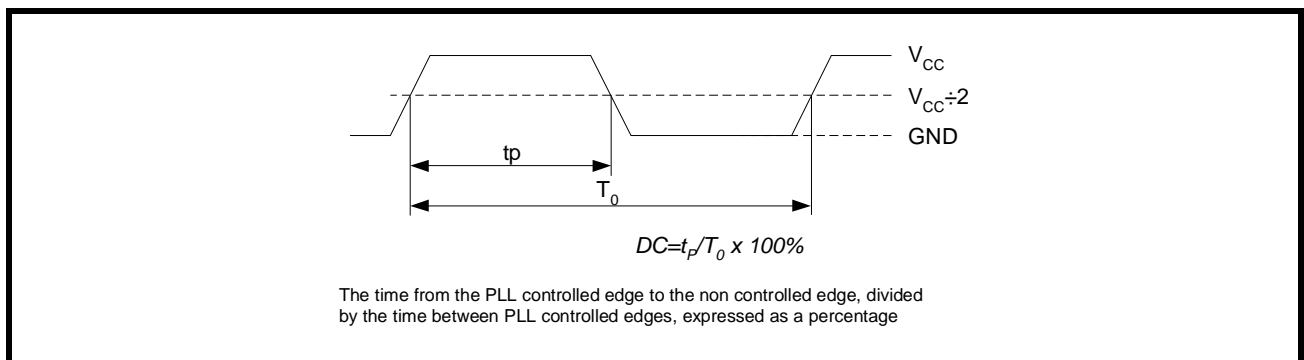


FIGURE 6. I/O JITTER

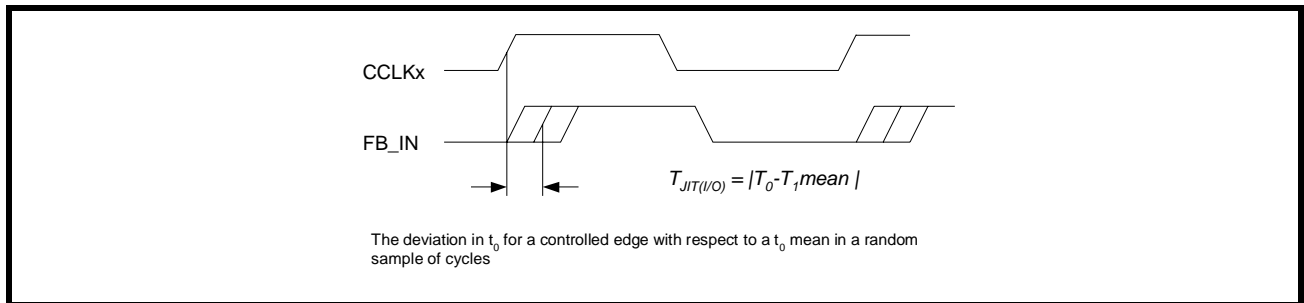


FIGURE 7. CYCLE-TO-CYCLE JITTER

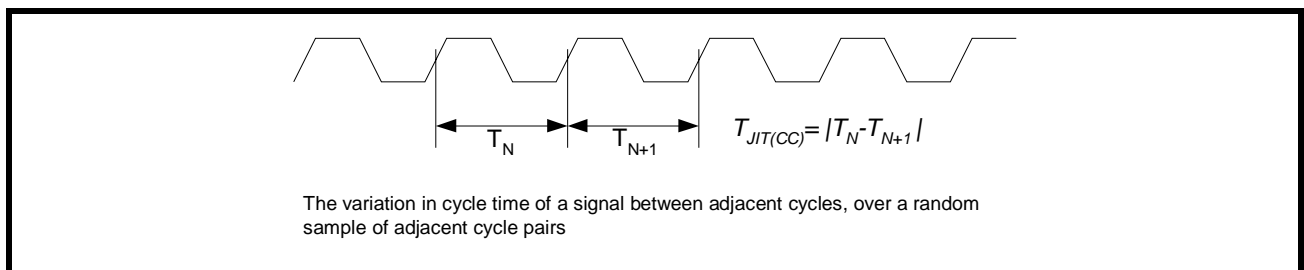


FIGURE 8. PERIOD JITTER

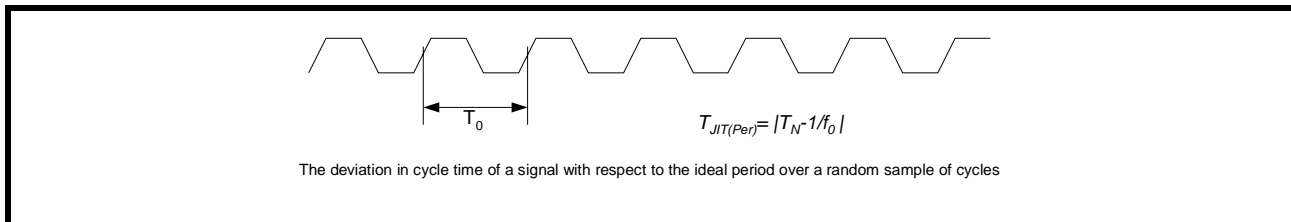
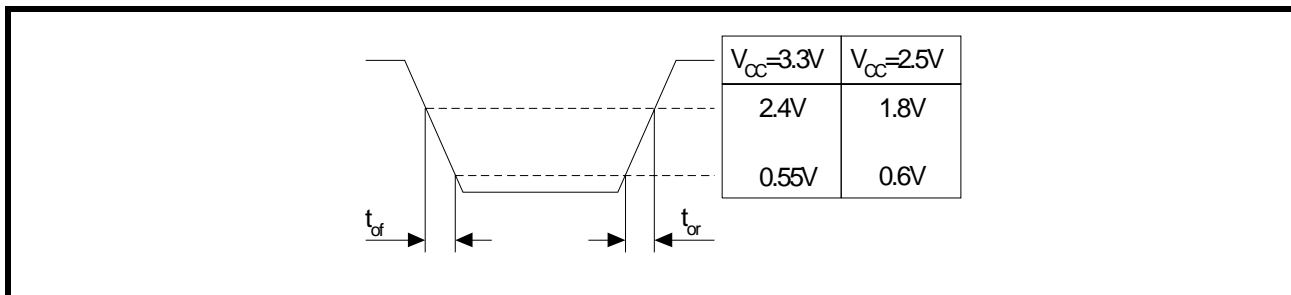
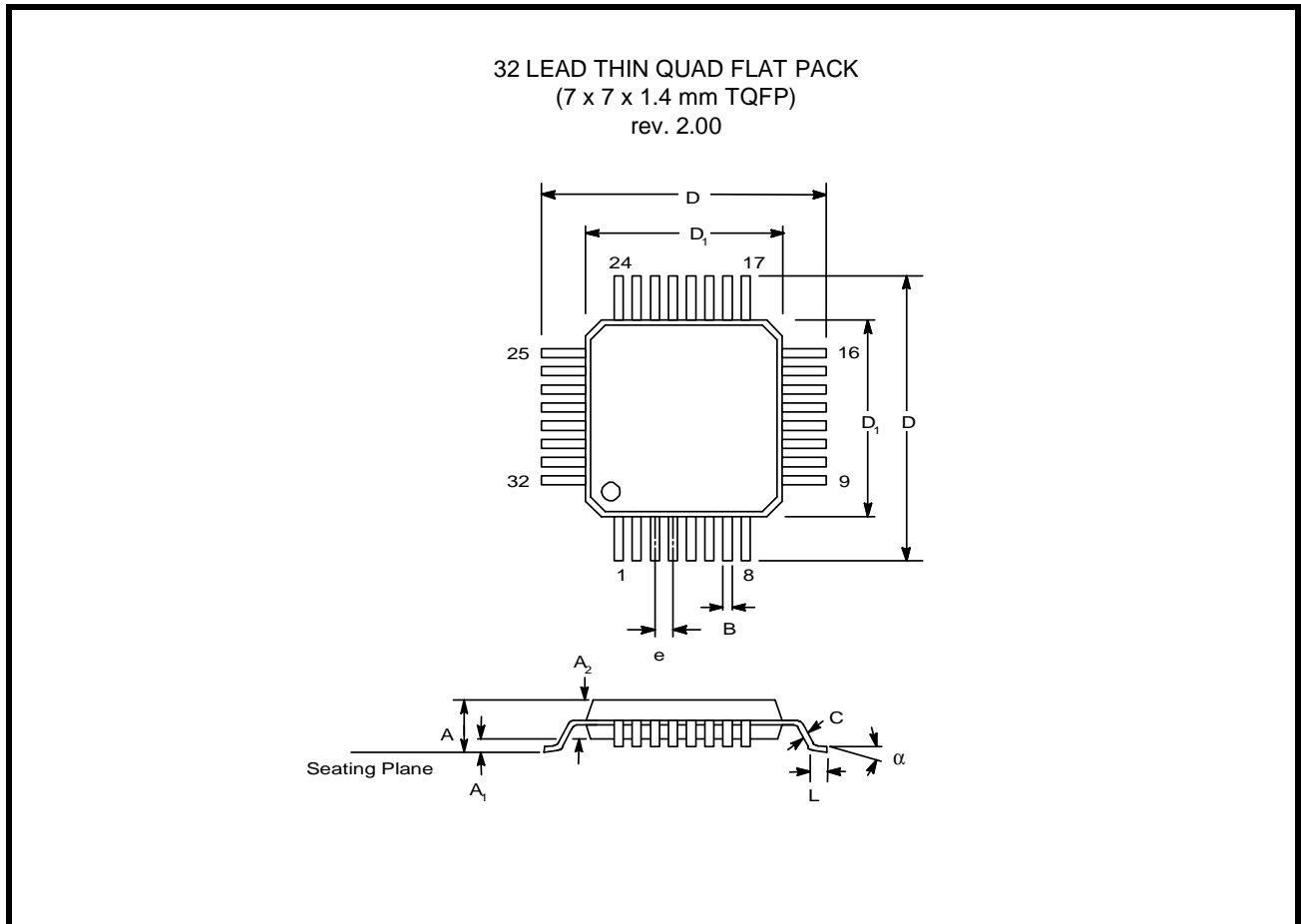


FIGURE 9. OUTPUT TRANSITION TIME TEST REFERENCE



PACKAGE DIMENSIONS



Note: The control dimension is the millimeter column

SYMBOL	INCHES		MILLIMETERS	
	MIN	MAX	MIN	MAX
A	0.055	0.063	1.40	1.60
A ₁	0.002	0.006	0.05	0.15
A ₂	0.053	0.057	1.35	1.45
B	0.012	0.018	0.30	0.45
C	0.004	0.008	0.09	0.20
D	0.346	0.362	8.80	9.20
D ₁	0.272	0.280	6.90	7.10
e	0.0315 BSC		0.80 BSC	
L	0.018	0.030	0.45	0.75
α	0°	7°	0°	7°

REVISION HISTORY

REVISION #	DATE	DESCRIPTION
1.0.0	November 2006	Initial <i>FINAL</i> release.

NOTICE

EXAR Corporation reserves the right to make changes to the products contained in this publication in order to improve design, performance or reliability. EXAR Corporation assumes no responsibility for the use of any circuits described herein, conveys no license under any patent or other right, and makes no representation that the circuits are free of patent infringement. Charts and schedules contained here in are only for illustration purposes and may vary depending upon a user's specific application. While the information in this publication has been carefully checked; no responsibility, however, is assumed for inaccuracies.

EXAR Corporation does not recommend the use of any of its products in life support applications where the failure or malfunction of the product can reasonably be expected to cause failure of the life support system or to significantly affect its safety or effectiveness. Products are not authorized for use in such applications unless EXAR Corporation receives, in writing, assurances to its satisfaction that: (a) the risk of injury or damage has been minimized; (b) the user assumes all such risks; (c) potential liability of EXAR Corporation is adequately protected under the circumstances.

Copyright 2006 EXAR Corporation

Datasheet November 2006.

Reproduction, in part or whole, without the prior written consent of EXAR Corporation is prohibited.