

## General Description

The HXC42400 is a uni-directional Quad Channel CDR / Retimer for retiming data rates from 25Gbps to 28.05Gbps. It is optimized for 100Gbps Ethernet, OIF CEI-28G-VSR and OTU-4 Optical Transport applications. The HXC42400 can be used in either direction of a transceiver module and can be adopted into QSFP28+, or CFP2/CFP4 modules due to its low 100mW per channel power dissipation. In Bypass operation, the HXC42400 supports legacy data rates up to 16Gbps.

The HXC42400 provides programmable and adaptive equalization in the receiver and programmable de-emphasis in the transmitter to compensate for channel Insertion Loss and ISI. In the receive direction, the programmable / adaptive CTLE provides up to 16dB of equalization and a 1-tap DFE provides additional compensation. In the transmit direction, the programmable, 4-bit, de-emphasis with 3-tap FIR filter provides a 12dB control range.

Auto DC-offset calibration is complemented with auto phase calibration and the unique CDR / Retimer architecture enables independent receive and transmit CDR loop bandwidth optimization for increased Jitter Tolerance and reduced Jitter Transfer performance.

It is able to be used with or without a reference clock with a built-in, single 14GHz master VCO providing the oscillator output for each channel.

Multiple Built in Self-Test (BIST) functions such as a PRBS generator / checker, Jitter Tolerance, Eye Open Monitor, and single lane loopback are supported for module level testing.

The HXC42400 has an I<sup>2</sup>C interface that is used to set the start-up operating mode for the internal state machine which performs all required calibrations and settings. It is package in a 5x5mm BGA in 9x9 grid of 0.5mm pitch.

## Applications

- 100GBASE Ethernet QSFP28 SR4/LR4/ER4 optical modules
- CFP2, CFP4 modules
- Supports OTU4 28Gbps operation for OTL4.4 as defined in ITU Rec G.709
- 128G Fibre Channel modules
- OIF CEI-28G-VSR/LR retimed interface
- N x 25G InfiniBand EDR active optical cables

## Features

- Quad 25 - 28Gbps CDR / Retimer
  - Also provides a half-rate mode for 12.5 – 14Gbps operation
- Bypass-mode to support legacy data rate up to 16Gbps
- Programmable 3-tap output de-emphasis for transmit
- Adaptive linear equalizer and decision-feedback equalizer (DFE) to cover up to 16dB lossy channel in receiver
- Low sensitivity of 25mV<sub>PPD</sub> and adjustable threshold level of data sampler
- Reference-less and Master channel-less operation
- Independent, adaptive bandwidth control in RX CDR for optimum jitter tolerance
- Internal and automatic DC and phase offset calibrations
- On-chip testability; EOM, JTOL, PRBS generator/checker, local/remote loopback,
- Polarity (P/N) inversion
- I<sup>2</sup>C control interface
- 5x5mm, 1mm – 0.5mm pitch, 81 ball FCBGA

## Ordering Information

Part Number <sup>1</sup>	Temp Range	Package - # Balls
HXC42400-xFI	-40°C to +85°C	5x5mm FCBGA - 81
HXC42400EVB		

Note<sup>1</sup> – Where ‘x’ denotes Product Carrier type for shipping

R = Tape and Reel; B = Bulk – Tubes; C = Bulk – Carrier Tray

For price, delivery schedules, and to place orders, please contact IDT: [www.IDT.com/go/sales](http://www.IDT.com/go/sales)

# Device Diagram

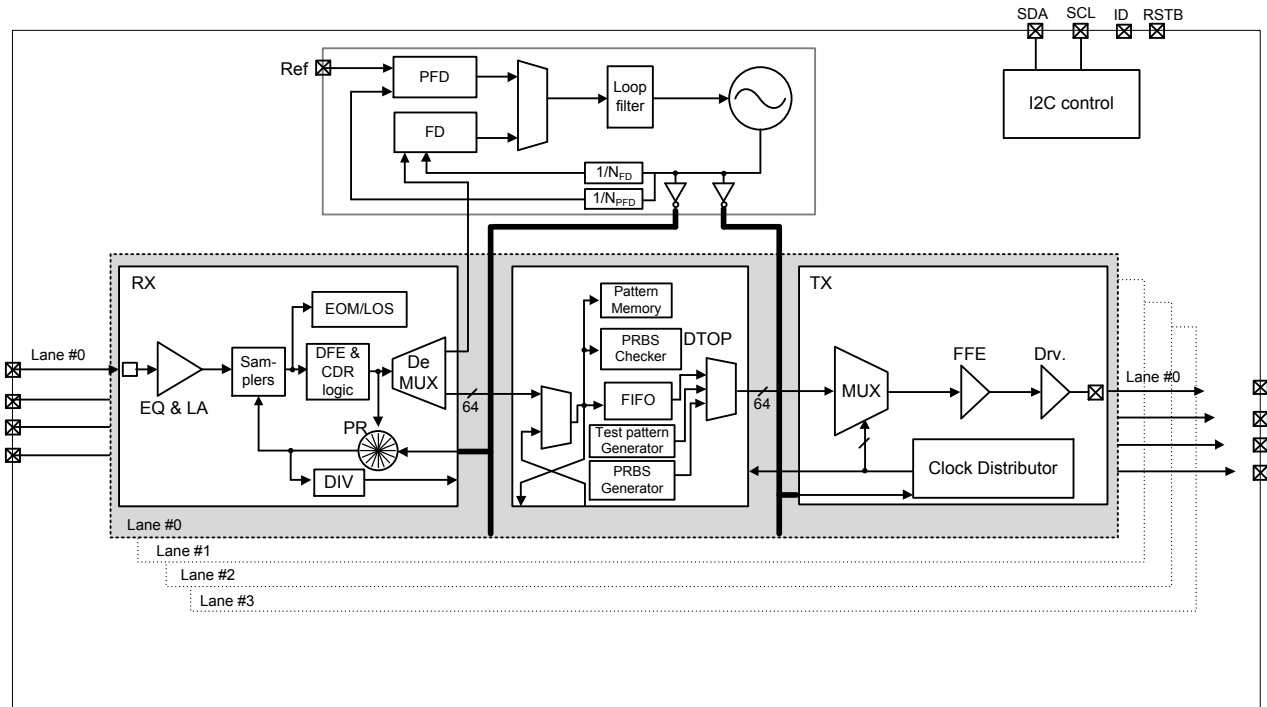


Figure 1: Device Block Diagram

**Corporate Headquarters**

6024 Silver Creek Valley Road  
San Jose, CA 95138

[www.IDT.com](http://www.IDT.com)

**Sales**

1-800-345-7015 or 408-284-8200  
Fax: 408-284-2775

[www.IDT.com/go/sales](http://www.IDT.com/go/sales)

**Tech Support**

[www.IDT.com/go/support](http://www.IDT.com/go/support)

DISCLAIMER Integrated Device Technology, Inc. (IDT) and its affiliated companies (herein referred to as "IDT") reserve the right to modify the products and/or specifications described herein at any time, without notice, at IDT's sole discretion. Performance specifications and operating parameters of the described products are determined in an independent state and are not guaranteed to perform the same way when installed in customer products. The information contained herein is provided without representation or warranty of any kind, whether express or implied, including, but not limited to, the suitability of IDT's products for any particular purpose, an implied warranty of merchantability, or non-infringement of the intellectual property rights of others. This document is presented only as a guide and does not convey any license under intellectual property rights of IDT or any third parties.

IDT's products are not intended for use in applications involving extreme environmental conditions or in life support systems or similar devices where the failure or malfunction of an IDT product can be reasonably expected to significantly affect the health or safety of users. Anyone using an IDT product in such a manner does so at their own risk, absent an express, written agreement by IDT.

Integrated Device Technology, IDT and the IDT logo are trademarks or registered trademarks of IDT and its subsidiaries in the United States and other countries. Other trademarks used herein are the property of IDT or their respective third party owners. For datasheet type definitions and a glossary of common terms, visit [www.idt.com/go/glossary](http://www.idt.com/go/glossary). All contents of this document are copyright of Integrated Device Technology, Inc. All rights reserved.