

MSP150N28

N-Channel 150-V (D-S) MOSFET

Description

The device is using trench DMOS technology. This advanced technology has been especially tailored to minimize $R_{DS(ON)}$, provide superior switching performance, and withstand high energy pulse in the avalanche and commutation mode. These devices are well suited for high efficiency fast switching applications.

The device meets the RoHS and Green Product requirement, 100% EAS guaranteed with full function reliability approved.

Features

- $R_{DS(ON)} = 65m\Omega @ V_{GS} = 10V$
- Fast switching
- Improve dv/dt Capability
- 100% EAS Guaranteed
- Green Device Available

Typical Applications

- Notebook
- Load Switch
- LED Applications
- Li Battery Pack Applications

Package type : TO-220

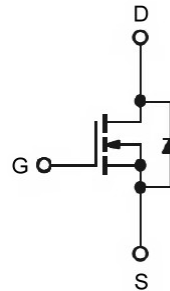
Packing & Order Information

2,000/Box

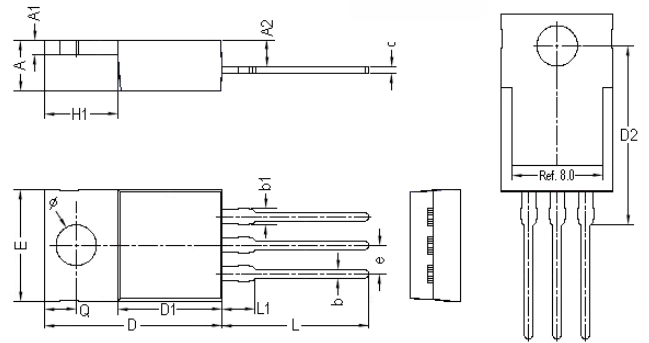


RoHS Compliant

Graphic Symbol

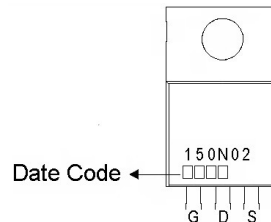


Package Dimension



REF.	Millimeter		REF.	Millimeter	
	Min.	Max.		Min.	Max.
A	4.30	4.70	D2	15.70	17.00
A1	1.20	1.40	E	9.70	10.36
A2	2.30	2.79	e	2.54 BSC	
b	0.70	0.90	H1	6.10	6.70
b1	1.20	1.75	L	12.80	13.90
c	0.34	0.60	L1	-	4.00
D	14.70	16.10	Q	2.60	3.00
D1	8.60	9.30	Ø	3.55	3.95

Marking



MSP150N28

N-Channel 150-V (D-S) MOSFET

MAXIMUM RATINGS AND ELECTRICAL CHARACTERISTICS

Absolute Maximum Ratings

Symbol	Parameter	Value	Units
V_{DS}	Drain-Source Voltage	150	V
V_{GS}	Gate-Source Voltage	± 25	V
I_D	Continuous Drain Current ¹ ($T_C=25^\circ\text{C}$)	28	A
	Continuous Drain Current ¹ ($T_C=100^\circ\text{C}$)	17.7	A
I_{DM}	Pulsed Drain Current ^{1,2}	112	A
I_{AS}	Single Pulse Avalanche Current, $L=1\text{mH}^3$	22	A
E_{AS}	Single Pulse Avalanche Energy, $L=1\text{mH}^3$	242	mJ
P_D	Power Dissipation ⁴ ($T_C=25^\circ\text{C}$)	113	W
	Power Dissipation ⁴ ($T_A=25^\circ\text{C}$)	2	W
T_J/T_{STG}	Operating Junction and Storage Temperature	-55 to +150	$^\circ\text{C}$

Thermal Resistance Ratings

Symbol	Parameter	Maximum	Units
$R_{\theta JA}$	Maximum Junction-to-Ambient ¹	62.5	$^\circ\text{C/W}$
$R_{\theta JC}$	Maximum Junction-to-Case ¹	1.1	$^\circ\text{C/W}$

Electrical Characteristics ($T_J=25^\circ\text{C}$ unless otherwise specified)

Symbol	Parameter	Test Conditions	Min.	Typ.	Max.	Units
$V_{GS(th)}$	Gate Threshold Voltage	$V_{DS}=V_{GS}$, $I_D=250\mu\text{A}$	2.0	3.0	4.0	V
BV_{DSS}	Drain-Source Breakdown Voltage	$V_{GS}=0\text{V}$, $I_D=250\mu\text{A}$	150	-	-	V
I_{GSS}	Gate-Source Leakage Current	$V_{DS}=0\text{V}$, $V_{GS}=\pm 25\text{V}$	-	-	± 100	nA
I_{DSS}	Drain-Source Leakage Current	$V_{DS}=150\text{V}$, $V_{GS}=0\text{V}$, $T_J=25^\circ\text{C}$	-	-	1	μA
		$V_{DS}=120\text{V}$, $V_{GS}=0\text{V}$, $T_J=125^\circ\text{C}$	-	-	30	μA
$R_{DS(on)}$	Static Drain-Source On-Resistance ²	$V_{GS}=10\text{V}$, $I_D=15\text{A}$	-	52	65	m Ω
		$V_{GS}=6\text{V}$, $I_D=5\text{A}$	-	65	90	m Ω
EAS	Single Pulse Avalanche Energy ⁵	$V_{DD}=50\text{V}$, $L=1\text{mH}$, $I_{AS}=10\text{A}$	50	-	-	mJ
V_{SD}	Diode Forward Voltage ²	$I_S=15\text{A}$, $V_{GS}=0\text{V}$, $T_J=25^\circ\text{C}$	-	-	1.2	V
I_S	Continuous Source Current ^{1,6}	$V_G=V_D=0\text{V}$, Force Current	-	-	28	A
I_{SM}	Pulsed Source Current ^{2,6}		-	-	56	

Notes

1. The data tested by surface mounted on a 1 inch² FR-4 board with 20Z copper.
2. The data tested by pulsed, pulse width $\leq 300\mu\text{s}$, duty cycle $\leq 2\%$.
3. The EAS data shows maximum rating. The test condition is $V_{DD}=50\text{V}$, $V_{GS}=10\text{V}$, $L=1\text{mH}$, $I_{AS}=22\text{A}$.
4. The power dissipation is limited by 150°C junction temperature.
5. The Min. value is 100% EAS tested guarantee.
6. The data is theoretically the same as I_D and I_{DM} , in real applications, should be limited by total power dissipation.

MSP150N28

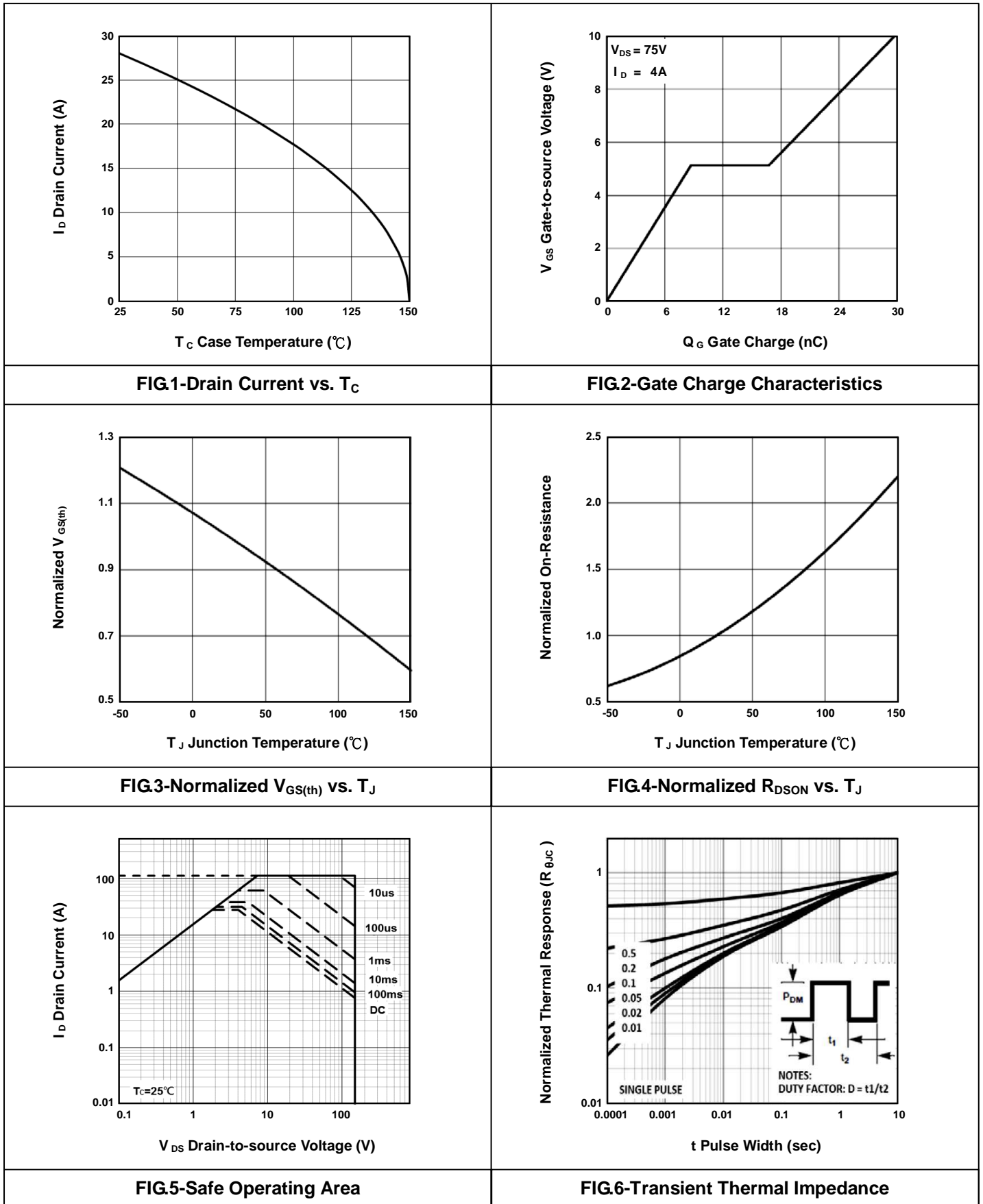
N-Channel 150-V (D-S) MOSFET

Dynamic						
Symbol	Parameter	Test Conditions	Min.	Typ.	Max.	Units
Q_g	Total Gate Charge ²	$V_{DS}=75V$	--	30	--	nC
Q_{gs}	Gate-Source Charge	$I_D=4A$	--	8.7	--	
Q_{gd}	Gate-Drain Charge	$V_{GS}=10V$	--	8	--	
$t_{d(on)}$	Turn-On Delay Time ²	$V_{DS}=30V$	--	14.5	--	ns
t_r	Rise Time	$I_D=1A$	--	19.2	--	
$t_{d(off)}$	Turn-Off Delay Time	$V_{GS}=10V$	--	33.6	--	
t_f	Fall Time	$R_G=6\Omega$	--	22.8	--	
C_{ISS}	Input Capacitance	$V_{DS}=30V$	--	1790	--	pF
C_{OSS}	Output Capacitance	$V_{GS}=0V$	--	160	--	
C_{RSS}	Reverse Transfer Capacitance	$f=1.0MHz$	--	82	--	
R_g	Gate Resistance	$V_{GS}=V_{DS}=0V, f=1.0MHz$	--	1.4	--	Ω

MSP150N28

N-Channel 150-V (D-S) MOSFET

- Typical Electrical Characteristics



MSP150N28

N-Channel 150-V (D-S) MOSFET

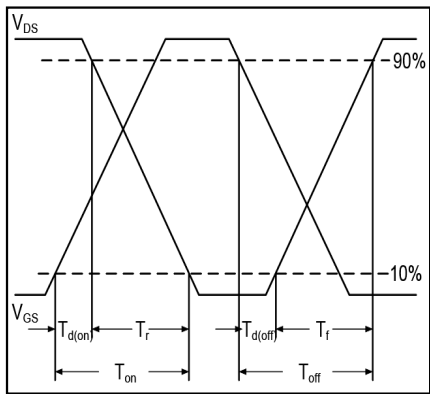


FIG.7-Switching Time Waveform

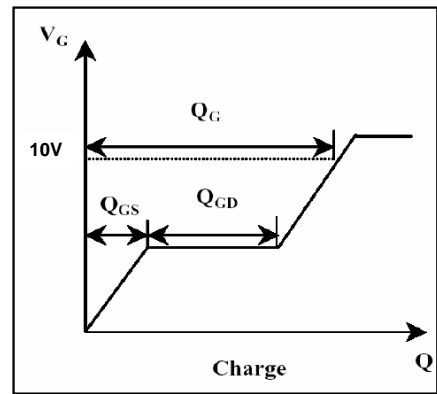


FIG.8-Gate Charge Waveform

MSP150N28

N-Channel 150-V (D-S) MOSFET

Disclaimer

ALL PRODUCT, PRODUCT SPECIFICATIONS AND DATA ARE SUBJECT TO CHANGE WITHOUT NOTICE TO IMPROVE RELIABILITY, FUNCTION OR DESIGN OR OTHERWISE.

Bruckewell Technology Inc., its affiliates, agents, and employees, and all persons acting on its or their behalf (collectively, "Bruckewell"), disclaim any and all liability for any errors, inaccuracies or incompleteness contained in any datasheet or in any other disclosure relating to any product. Bruckewell makes no warranty, representation or guarantee regarding the suitability of the products for any particular purpose or the continuing production of any product. To the maximum extent permitted by applicable law, Bruckewell disclaims

- (i) Any and all liability arising out of the application or use of any product.
- (ii) Any and all liability, including without limitation special, consequential or incidental damages.
- (iii) Any and all implied warranties, including warranties of fitness for particular purpose, non-infringement and merchantability.

Statements regarding the suitability of products for certain types of applications are based on Bruckewell's knowledge of typical requirements that are often placed on Bruckewell products in generic applications.

Such statements are not binding statements about the suitability of products for a particular application. It is the customer's responsibility to validate that a particular product with the properties described in the product specification is suitable for use in a particular application. Parameters provided in datasheets and/or specifications may vary in different applications and performance may vary over time.

Product specifications do not expand or otherwise modify Bruckewell's terms and conditions of purchase, including but not limited to the warranty expressed therein.