

## Schottky Barrier Diode

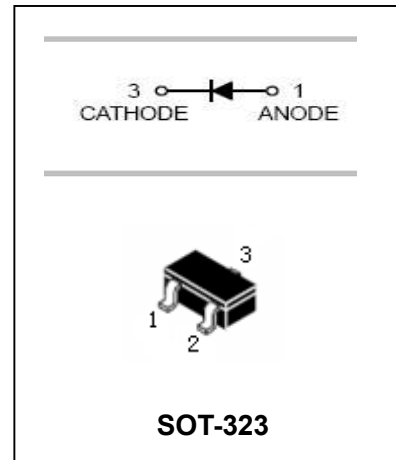
## RB461F

### FEATURES

- Small total capacitance.
- Power dissipation.( $P_D=150\text{mW}$ )



Lead-free



### APPLICATIONS

- For general purpose applications.

### ORDERING INFORMATION

Type No.	Marking	Package Code
RB461F	3B	SOT-323

### MAXIMUM RATING @ $T_a=25^\circ\text{C}$ unless otherwise specified

Parameter	Symbol	Limits	Unit
Diode reverse voltage	$V_R$	20	V
Forward continuous Current	$I_F$	700	mA
Power Dissipation	$P_d$	150	mW
Junction temperature	$T_j$	150	$^\circ\text{C}$
Storage temperature range	$T_{stg}$	-55 to +150	$^\circ\text{C}$

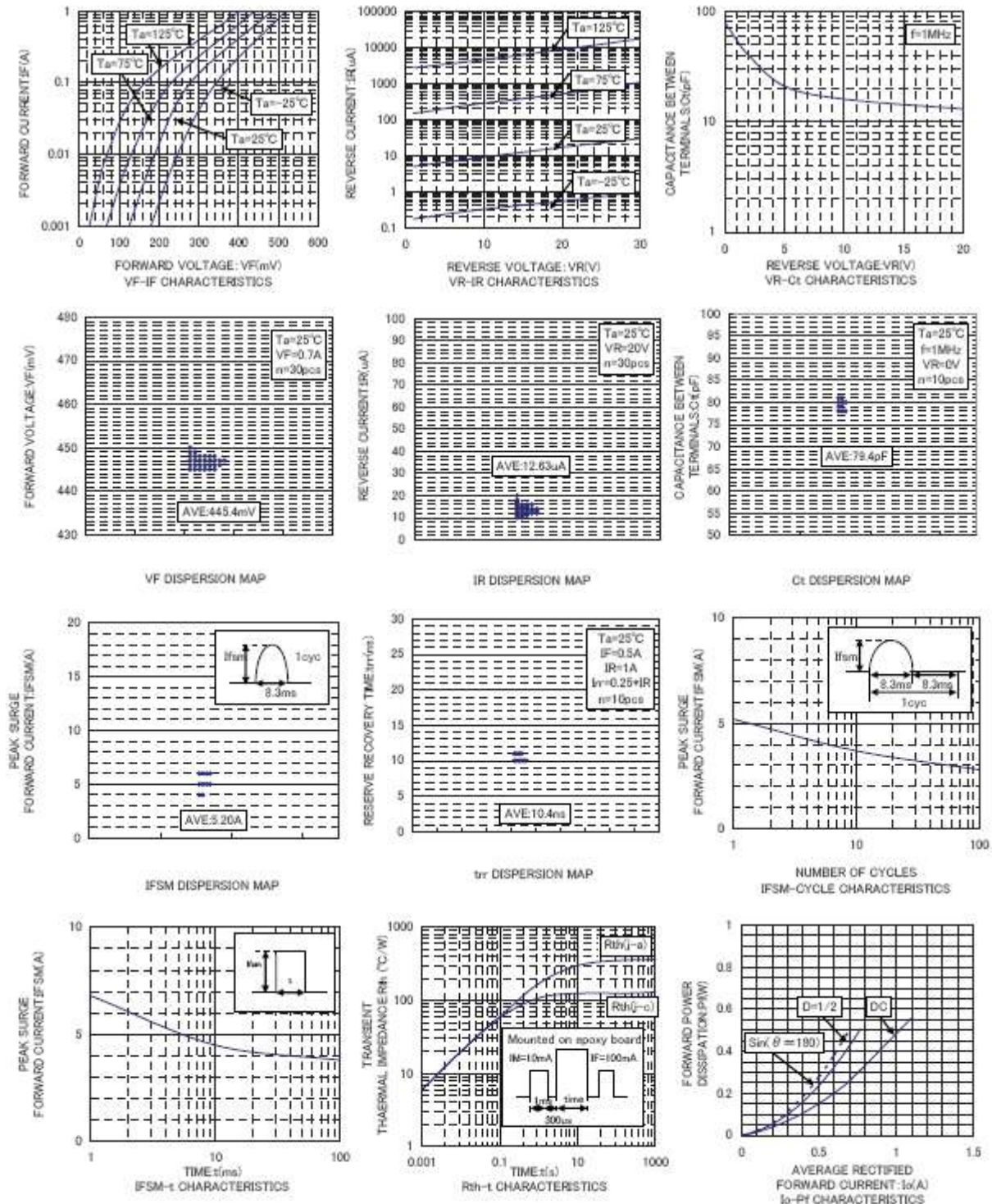
### ELECTRICAL CHARACTERISTICS @ $T_a=25^\circ\text{C}$ unless otherwise specified

Parameter	Symbol	Test conditions	MIN	Typ.	MAX	UNIT
Reverse breakdown voltage	$V_{(BR)R}$	$I_R=1\text{mA}$	20			V
Reverse current	$I_R$	$V_R=20\text{V}$			200	$\mu\text{A}$
Forward voltage	$V_F$	$I_F=700\text{mA}$			0.49	V

# Schottky Barrier Diode

# RB461F

## TYPICAL CHARACTERISTICS @ Ta=25°C unless otherwise specified



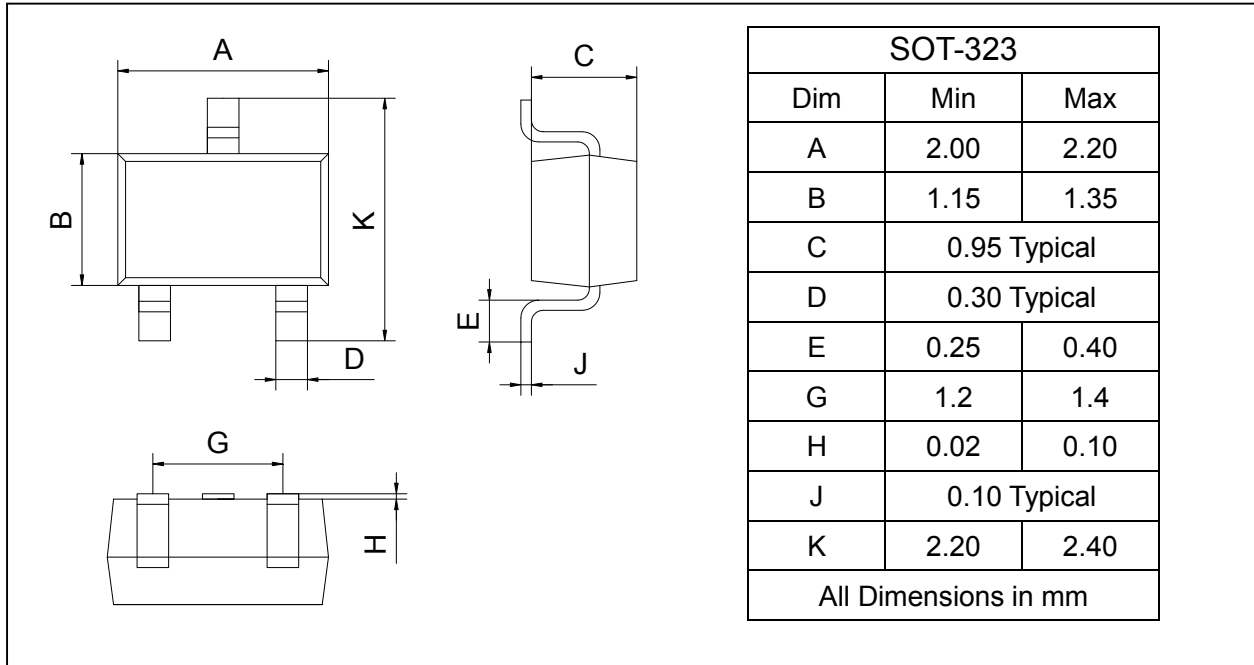
## Schottky Barrier Diode

## RB461F

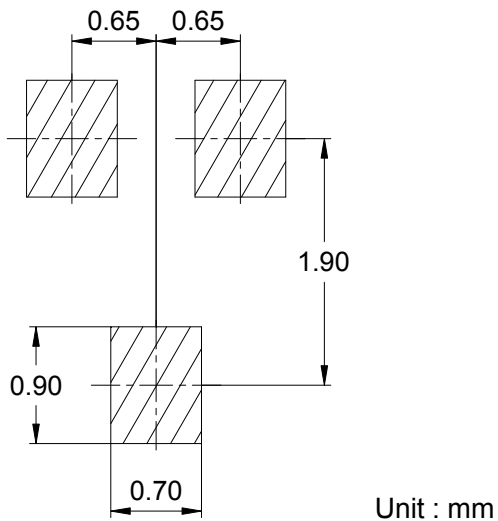
### PACKAGE OUTLINE

Plastic surface mounted package

SOT-323



### SOLDERING FOOTPRINT



### PACKAGE INFORMATION

Device	Package	Shipping
RB461F	SOT-323	3000/Tape&Reel