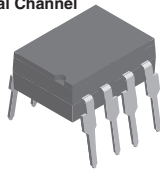


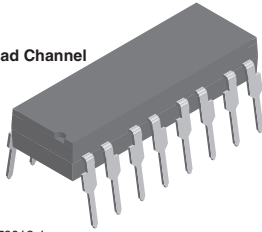


Optocoupler, Phototransistor Output (Dual, Quad Channel)

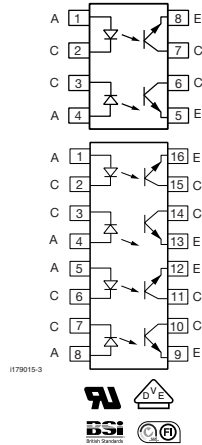
Dual Channel



Quad Channel



i179012-1



FEATURES

- Current transfer ratio at $I_F = 10 \text{ mA}$
- Isolation rated voltage $4420 V_{RMS}$
- Material categorization: for definitions of compliance please see www.vishay.com/doc?99912



RoHS COMPLIANT

AGENCY APPROVALS

- UL1577, file no. E52744, double protection
- cUL tested to CSA 22.2 bulletin 5A
- CSA 93751
- BSI EN 60950, BSI EN 60065
- DIN EN 60747-5-5 (VDE 0884-5) available with option 1
- FIMKO

DESCRIPTION

The ILD1, ILD2, ILD5, ILQ1, ILQ2 are optically coupled isolated pairs employing GaAs infrared LEDs and silicon NPN phototransistor. Signal information, including a DC level, can be transmitted by the drive while maintaining a high degree of electrical isolation between input and output.

The ILD1, ILD2, ILD5, ILQ1, ILQ2 are especially designed for driving medium-speed logic and can be used to eliminate troublesome ground loop and noise problems. Also these couplers can be used to replace relays and transformers in many digital interface applications such as CTR modulation.

The ILD1, ILD2, ILD5 have two isolated channels in a single DIP package and the ILQ1, ILQ2 have four isolated channels per package.

| ORDERING INFORMATION | | | | | |
|---|---------------------------|---------------------------|---------------------------|---------------------------|---------------------------|
| <p>PART NUMBER</p> <p>PACKAGE OPTION</p> <p>TAPE AND REEL</p> <p>x = D (dual) or Q (quad)</p> | | | | | |
| | | | | | |
| AGENCY CERTIFIED/PACKAGE | DUAL CHANNEL | | | QUAD CHANNEL | |
| | CTR (%) | | | | |
| UL, CSA, BSI, FIMKO | 20 to 300 | 100 to 500 | 50 to 400 | 20 to 300 | 100 to 500 |
| DIP-8 | ILD1 | ILD2 | ILD5 | - | - |
| DIP-8, 400 mil, option 6 | - | ILD2-X006 | - | - | - |
| SMD-8, option 7 | ILD1-X007T ⁽¹⁾ | ILD2-X007T ⁽¹⁾ | - | - | - |
| SMD-8, option 9 | ILD1-X009T ⁽¹⁾ | ILD2-X009T ⁽¹⁾ | ILD5-X009T ⁽¹⁾ | - | - |
| DIP-16 | - | - | - | ILQ1 | ILQ2 |
| DIP-16, 400 mil, option 6 | - | - | - | ILQ1-X006 | ILQ2-X006 |
| SMD-16, option 7 | - | - | - | ILQ1-X007 | ILQ2-X007T ⁽¹⁾ |
| SMD-16, option 9 | - | - | - | ILQ1-X009T ⁽¹⁾ | ILQ2-X009T ⁽¹⁾ |



| AGENCY CERTIFIED/PACKAGE | DUAL CHANNEL | | | QUAD CHANNEL | |
|-----------------------------|--------------|------------|-----------|--------------|---------------------------|
| | CTR (%) | | | | |
| VDE, UL, CSA, BSI, FIMKO | 20 to 300 | 100 to 500 | 50 to 400 | 20 to 300 | 100 to 500 |
| DIP-8 | ILD1-X001 | ILD2-X001 | ILD5-X001 | - | - |
| DIP-8, 400 mil, option 6 | - | ILD2-X016 | - | - | - |
| SMD-8, option 7 | - | ILD2-X017 | - | - | - |
| SMD-8, option 9 | ILD1-X019T | - | - | - | - |
| DIP-16 | - | - | - | - | ILQ2-X001 |
| DIP-16, 400 mil, option 6 | - | - | - | - | ILQ2-X016 |
| SMD-16, option 7 | - | - | - | - | ILQ2-X017T ⁽¹⁾ |

Notes

- Additional options may be possible, please contact sales office

⁽¹⁾ Also available in tubes; do not put T on end

| ABSOLUTE MAXIMUM RATINGS ($T_{amb} = 25\text{ }^{\circ}\text{C}$, unless otherwise specified) | | | | | |
|---|-----------------------|------|------------|-------------|-------|
| PARAMETER | TEST CONDITION | PART | SYMBOL | VALUE | UNIT |
| INPUT | | | | | |
| Reverse voltage | | | V_R | 6 | V |
| Forward current | | | I_F | 60 | mA |
| Surge current | | | I_{FSM} | 2.5 | A |
| Power dissipation | | | P_{diss} | 100 | mW |
| Derate linearly from 25 °C | | | | 1.3 | mW/°C |
| OUTPUT | | | | | |
| Collector emitter reverse voltage | | ILD1 | V_{CEO} | 50 | V |
| | | ILQ1 | V_{CEO} | 50 | V |
| | | ILD2 | V_{CEO} | 70 | V |
| | | ILQ2 | V_{CEO} | 70 | V |
| | | ILD5 | V_{CEO} | 70 | V |
| Collector current | $t < 1\text{ ms}$ | | I_C | 50 | mA |
| | | | I_C | 400 | mA |
| Power dissipation | | | P_{diss} | 200 | mW |
| Derate linearly from 25 °C | | | | 2.6 | mW/°C |
| COUPLER | | | | | |
| Package power dissipation | | | P_{tot} | 250 | mW |
| Derate linearly from 25 °C | | | | 3.3 | mW/°C |
| Storage temperature | | | T_{stg} | -40 to +150 | °C |
| Operating temperature | | | T_{amb} | -40 to +100 | °C |
| Junction temperature | | | T_j | 100 | °C |
| Soldering temperature ⁽¹⁾ | 2 mm from case bottom | | T_{slid} | 260 | °C |

Notes

- Stresses in excess of the absolute maximum ratings can cause permanent damage to the device. Functional operation of the device is not implied at these or any other conditions in excess of those given in the operational sections of this document. Exposure to absolute maximum ratings for extended periods of the time can adversely affect reliability

⁽¹⁾ Refer to reflow profile for soldering conditions for surface mounted devices (SMD). Refer to wave profile for soldering conditions for through hole devices (DIP)

| ELECTRICAL CHARACTERISTICS ($T_{amb} = 25\text{ }^{\circ}\text{C}$, unless otherwise specified) | | | | | | |
|--|--|-------------|------|------|------|---------------|
| PARAMETER | TEST CONDITION | SYMBOL | MIN. | TYP. | MAX. | UNIT |
| INPUT | | | | | | |
| Forward voltage | $I_F = 60\text{ mA}$ | V_F | - | 1.25 | 1.65 | V |
| Reverse current | $V_R = 6\text{ V}$ | I_R | - | 0.01 | 10 | μA |
| Capacitance | $V_R = 0\text{ V}, f = 1\text{ MHz}$ | C_O | - | 25 | - | pF |
| Thermal resistance, junction to lead | | T_{thJL} | - | 750 | - | K/W |
| OUTPUT | | | | | | |
| Collector emitter capacitance | $V_{CE} = 5\text{ V}, f = 1\text{ MHz}$ | C_{CE} | - | 6.8 | - | pF |
| Collector emitter leakage current | $V_{VCE} = 10\text{ V}$ | I_{CEO} | - | 5 | 50 | nA |
| Saturation voltage, collector emitter | $I_C = 1\text{ mA}, I_B = 20\text{ }\mu\text{A}$ | V_{CESAT} | - | 0.25 | 0.4 | V |
| DC forward current gain | $V_{CE} = 10\text{ V}, I_B = 20\text{ }\mu\text{A}$ | h_{FE} | 200 | 650 | 1800 | |
| DC forward current gain saturated | $V_{CE} = 0.4\text{ V}, I_B = 20\text{ }\mu\text{A}$ | h_{FEsat} | 120 | 400 | 600 | |
| Thermal resistance, junction to lead | | R_{thjL} | - | 500 | - | K/W |
| COUPLER | | | | | | |
| Capacitance (input to output) | $V_{IO} = 0\text{ V}, f = 1\text{ MHz}$ | C_{IO} | - | 0.8 | - | pF |

Note

- Minimum and maximum values are testing requirements. Typical values are characteristics of the device and are the result of engineering evaluation. Typical values are for information only and are not part of the testing requirements

| CURRENT TRANSFER RATIO ($T_{amb} = 25\text{ }^{\circ}\text{C}$, unless otherwise specified) | | | | | | | |
|--|---|------|---------------|------|------|------|------|
| PARAMETER | TEST CONDITION | PART | SYMBOL | MIN. | TYP. | MAX. | UNIT |
| I_C/I_F (collector emitter saturated) | $I_F = 10\text{ mA}, V_{CE} = 0.4\text{ V}$ | ILD1 | CTR_{CEsat} | - | 75 | - | % |
| | | ILQ1 | CTR_{CEsat} | - | 75 | - | % |
| | | ILD2 | CTR_{CEsat} | - | 170 | - | % |
| | | ILQ2 | CTR_{CEsat} | - | 170 | - | % |
| | | ILD5 | CTR_{CEsat} | - | 100 | - | % |
| | $I_F = 10\text{ mA}, V_{CE} = 10\text{ V}$ | ILD1 | CTR_{CE} | 20 | 80 | 300 | % |
| | | ILQ1 | CTR_{CE} | 20 | 80 | 300 | % |
| | | ILD2 | CTR_{CE} | 100 | 200 | 500 | % |
| | | ILQ2 | CTR_{CE} | 100 | 200 | 500 | % |
| | | ILD5 | CTR_{CE} | 50 | 130 | 400 | % |

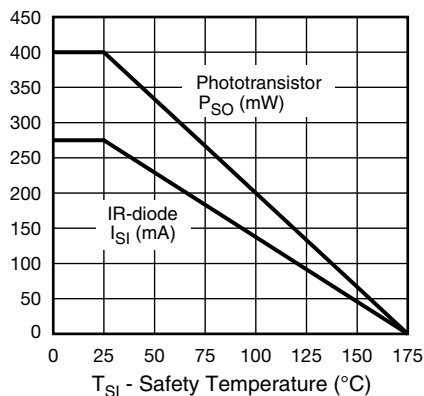


Fig. 1 - Derating Diagram

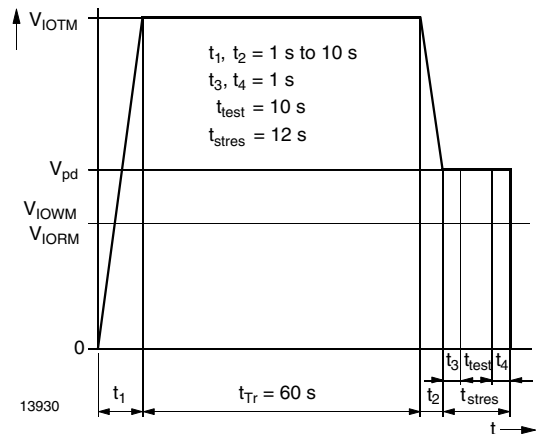


Fig. 2 - Test Pulse Diagram for Sample Test according to DIN EN 60747-5-2 (VDE 0884); IEC 60747-5-5



| SWITCHING CHARACTERISTICS (T _{amb} = 25 °C, unless otherwise specified) | | | | | | | |
|--|---|------|------------------|------|------|------|------|
| PARAMETER | TEST CONDITION | PART | SYMBOL | MIN. | TYP. | MAX. | UNIT |
| NON-SATURATED | | | | | | | |
| Current | V _{CE} = 5 V, R _L = 75 Ω, 50 % of V _{PP} | ILD1 | I _F | - | 20 | - | mA |
| | | ILQ1 | I _F | - | 20 | - | mA |
| | | ILD2 | I _F | - | 5 | - | mA |
| | | ILQ2 | I _F | - | 5 | - | mA |
| | | ILD5 | I _F | - | 10 | - | mA |
| Delay | V _{CE} = 5 V, R _L = 75 Ω, 50 % of V _{PP} | ILD1 | t _D | - | 0.8 | - | μs |
| | | ILQ1 | t _D | - | 0.8 | - | μs |
| | | ILD2 | t _D | - | 1.7 | - | μs |
| | | ILQ2 | t _D | - | 1.7 | - | μs |
| | | ILD5 | t _D | - | 1.7 | - | μs |
| Rise time | V _{CE} = 5 V, R _L = 75 Ω, 50 % of V _{PP} | ILD1 | t _r | - | 1.9 | - | μs |
| | | ILQ1 | t _r | - | 1.9 | - | μs |
| | | ILD2 | t _r | - | 2.6 | - | μs |
| | | ILQ2 | t _r | - | 2.6 | - | μs |
| | | ILD5 | t _r | - | 2.6 | - | μs |
| Storage | V _{CE} = 5 V, R _L = 75 Ω, 50 % of V _{PP} | ILD1 | t _s | - | 0.2 | - | μs |
| | | ILQ1 | t _s | - | 0.2 | - | μs |
| | | ILD2 | t _s | - | 0.4 | - | μs |
| | | ILQ2 | t _s | - | 0.4 | - | μs |
| | | ILD5 | t _s | - | 0.4 | - | μs |
| Fall time | V _{CE} = 5 V, R _L = 75 Ω, 50 % of V _{PP} | ILD1 | t _f | - | 1.4 | - | μs |
| | | ILQ1 | t _f | - | 1.4 | - | μs |
| | | ILD2 | t _f | - | 2.2 | - | μs |
| | | ILQ2 | t _f | - | 2.2 | - | μs |
| | | ILD5 | t _f | - | 2.2 | - | μs |
| Propagation H to L | V _{CE} = 5 V, R _L = 75 Ω, 50 % of V _{PP} | ILD1 | t _{PHL} | - | 0.7 | - | μs |
| | | ILQ1 | t _{PHL} | - | 0.7 | - | μs |
| | | ILD2 | t _{PHL} | - | 1.2 | - | μs |
| | | ILQ2 | t _{PHL} | - | 1.2 | - | μs |
| | | ILD5 | t _{PHL} | - | 1.1 | - | μs |
| Propagation L to H | V _{CE} = 5 V, R _L = 75 Ω, 50 % of V _{PP} | ILD1 | t _{PLH} | - | 1.4 | - | μs |
| | | ILQ1 | t _{PLH} | - | 1.4 | - | μs |
| | | ILD2 | t _{PLH} | - | 2.3 | - | μs |
| | | ILQ2 | t _{PLH} | - | 2.3 | - | μs |
| | | ILD5 | t _{PLH} | - | 2.5 | - | μs |



| SWITCHING CHARACTERISTICS (T _{amb} = 25 °C, unless otherwise specified) | | | | | | | |
|--|--|------|------------------|------|------|------|------|
| PARAMETER | TEST CONDITION | PART | SYMBOL | MIN. | TYP. | MAX. | UNIT |
| SATURATED | | | | | | | |
| Current | V _{CE} = 0.4 V, R _L = 1 kΩ, V _{CC} = 5 V, V _{TH} = 1.5 V | ILD1 | I _F | - | 20 | - | mA |
| | | ILQ1 | I _F | - | 20 | - | mA |
| | | ILD2 | I _F | - | 5 | - | mA |
| | | ILQ2 | I _F | - | 5 | - | mA |
| | | ILD5 | I _F | - | 10 | - | mA |
| Delay | V _{CE} = 0.4 V, R _L = 1 kΩ, V _{CC} = 5 V, V _{TH} = 1.5 V | ILD1 | t _D | - | 0.8 | - | μs |
| | | ILQ1 | t _D | - | 0.8 | - | μs |
| | | ILD2 | t _D | - | 1 | - | μs |
| | | ILQ2 | t _D | - | 1 | - | μs |
| | | ILD5 | t _D | - | 1.7 | - | μs |
| Rise time | V _{CE} = 0.4 V, R _L = 1 kΩ, V _{CC} = 5 V, V _{TH} = 1.5 V | ILD1 | t _r | - | 1.2 | - | μs |
| | | ILQ1 | t _r | - | 1.2 | - | μs |
| | | ILD2 | t _r | - | 2 | - | μs |
| | | ILQ2 | t _r | - | 2 | - | μs |
| | | ILD5 | t _r | - | 7 | - | μs |
| Storage | V _{CE} = 0.4 V, R _L = 1 kΩ, V _{CC} = 5 V, V _{TH} = 1.5 V | ILD1 | t _s | - | 7.4 | - | μs |
| | | ILQ1 | t _s | - | 7.4 | - | μs |
| | | ILD2 | t _s | - | 5.4 | - | μs |
| | | ILQ2 | t _s | - | 5.4 | - | μs |
| | | ILD5 | t _s | - | 4.6 | - | μs |
| Fall time | V _{CE} = 0.4 V, R _L = 1 kΩ, V _{CC} = 5 V, V _{TH} = 1.5 V | ILD1 | t _f | - | 7.6 | - | μs |
| | | ILQ1 | t _f | - | 7.6 | - | μs |
| | | ILD2 | t _f | - | 13.5 | - | μs |
| | | ILQ2 | t _f | - | 13.5 | - | μs |
| | | ILD5 | t _f | - | 20 | - | μs |
| Propagation H to L | V _{CE} = 0.4 V, R _L = 1 kΩ, V _{CC} = 5 V, V _{TH} = 1.5 V | ILD1 | t _{PHL} | - | 1.6 | - | μs |
| | | ILQ1 | t _{PHL} | - | 1.6 | - | μs |
| | | ILD2 | t _{PHL} | - | 5.4 | - | μs |
| | | ILQ2 | t _{PHL} | - | 5.4 | - | μs |
| | | ILD5 | t _{PHL} | - | 2.6 | - | μs |
| Propagation L to H | V _{CE} = 0.4 V, R _L = 1 kΩ, V _{CC} = 5 V, V _{TH} = 1.5 V | ILD1 | t _{PLH} | - | 8.6 | - | μs |
| | | ILQ1 | t _{PLH} | - | 8.6 | - | μs |
| | | ILD2 | t _{PLH} | - | 7.4 | - | μs |
| | | ILQ2 | t _{PLH} | - | 7.4 | - | μs |
| | | ILD5 | t _{PLH} | - | 7.2 | - | μs |

| COMMON MODE TRANSIENT IMMUNITY (T _{amb} = 25 °C, unless otherwise specified) | | | | | | | |
|---|---|-----------------|------|------|------|------|--|
| PARAMETER | TEST CONDITION | SYMBOL | MIN. | TYP. | MAX. | UNIT | |
| Common mode rejection, output high | V _{CM} = 50 V _{P-P} , R _L = 1 kΩ, I _F = 0 mA | CM _H | - | 5000 | - | V/μs | |
| Common mode rejection, output low | V _{CM} = 50 V _{P-P} , R _L = 1 kΩ, I _F = 10 mA | CM _L | - | 5000 | - | V/μs | |
| Common mode coupling capacitance | | C _{CM} | - | 0.01 | - | pF | |

| SAFETY AND INSULATION RATINGS | | | | |
|--|--|------------|----------------|--------------------|
| PARAMETER | TEST CONDITION | SYMBOL | VALUE | UNIT |
| Climatic classification | According to IEC 68 part 1 | | 40/100/21 | |
| Comparative tracking index | | CTI | 175 | |
| Maximum rated withstanding isolation voltage | t = 1 min | V_{ISO} | 4420 | V_{RMS} |
| Maximum transient isolation voltage | | V_{IOTM} | 10 000 | V_{peak} |
| Maximum repetitive peak isolation voltage | | V_{IORM} | 890 | V_{peak} |
| Isolation resistance | $V_{IO} = 500\text{ V}, T_{amb} = 25\text{ }^{\circ}\text{C}$ | R_{IO} | $\geq 10^{12}$ | Ω |
| | $V_{IO} = 500\text{ V}, T_{amb} = 100\text{ }^{\circ}\text{C}$ | R_{IO} | $\geq 10^{11}$ | Ω |
| Output safety power | | P_{SO} | 400 | mW |
| Input safety current | | I_{SI} | 275 | mA |
| Safety temperature | | T_S | 175 | $^{\circ}\text{C}$ |
| Creepage distance | | | ≥ 7 | mm |
| Clearance distance | | | ≥ 7 | mm |
| Insulation thickness | | DTI | ≥ 0.4 | mm |

Note

- As per IEC 60747-5-5, § 7.4.3.8.2, this optocoupler is suitable for “safe electrical insulation” only within the safety ratings. Compliance with the safety ratings shall be ensured by means of protective circuits

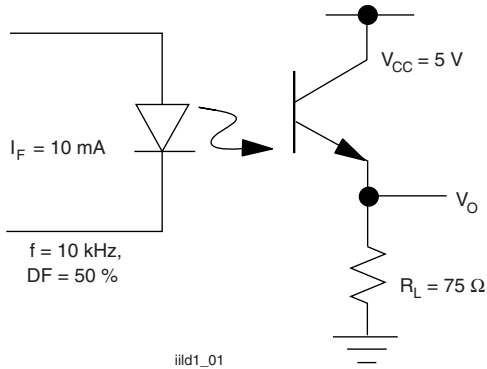
TYPICAL CHARACTERISTICS ($T_{amb} = 25\text{ }^{\circ}\text{C}$, unless otherwise specified)


Fig. 3 - Non-Saturated Switching Schematic

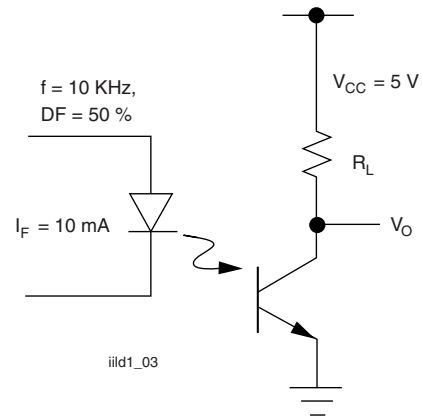


Fig. 5 - Saturated Switching Schematic

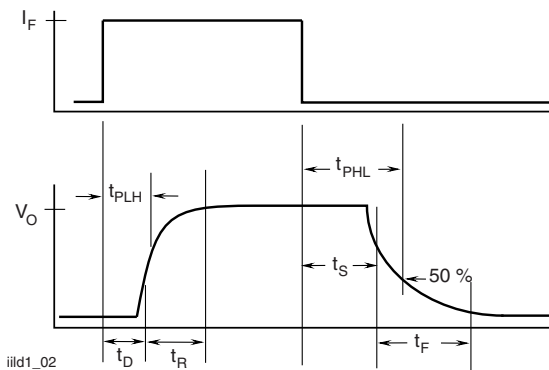


Fig. 4 - Non-Saturated Switching Timing

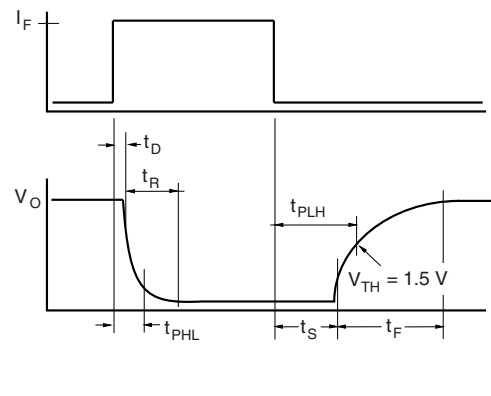


Fig. 6 - Saturated Switching Timing

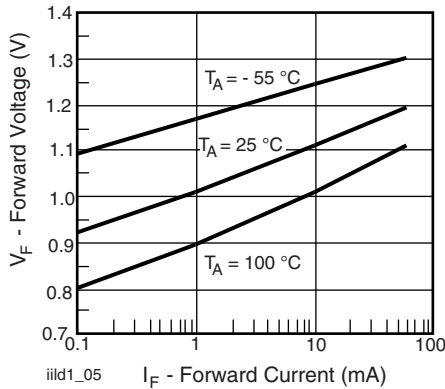


Fig. 7 - Normalized Non-Saturated and Saturated CTR vs. LED Current

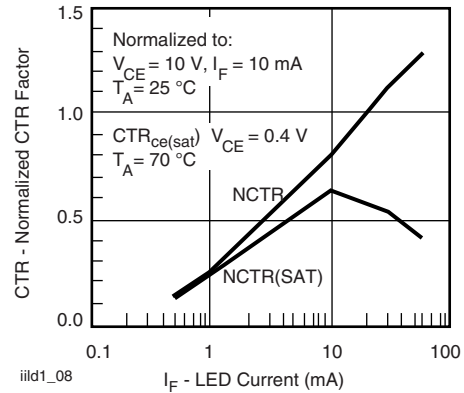


Fig. 10 - Normalized Non-Saturated and Saturated CTR vs. LED Current

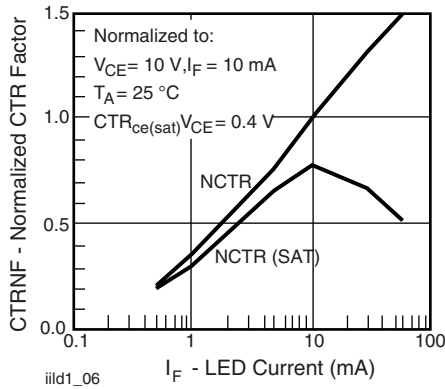


Fig. 8 - Normalized Non-Saturated and Saturated CTR vs. LED Current

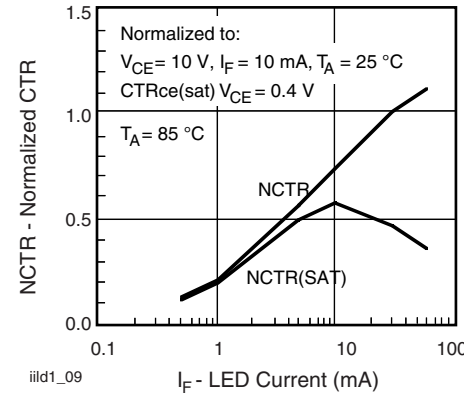


Fig. 11 - Normalized Non-Saturated and Saturated CTR vs. LED Current

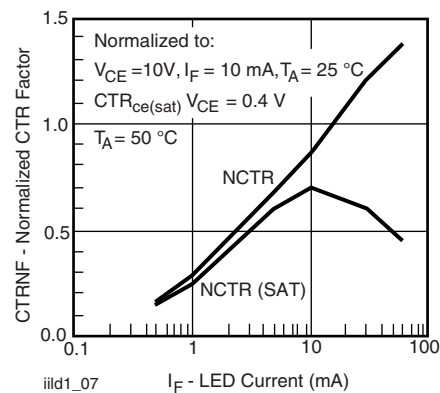


Fig. 9 - Normalized Non-Saturated and Saturated CTR vs. LED Current

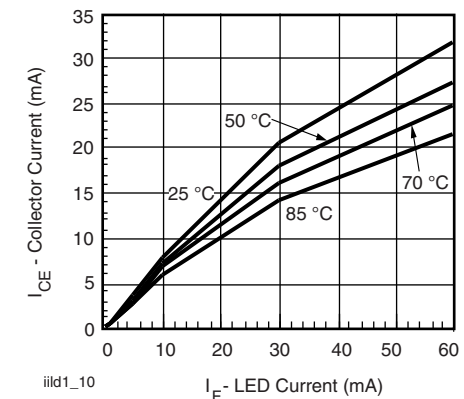


Fig. 12 - Collector Emitter Current vs. Temperature and LED Current

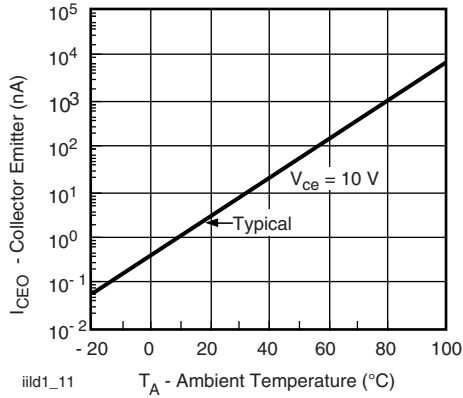


Fig. 13 - Collector Emitter Leakage Current vs. Temperature

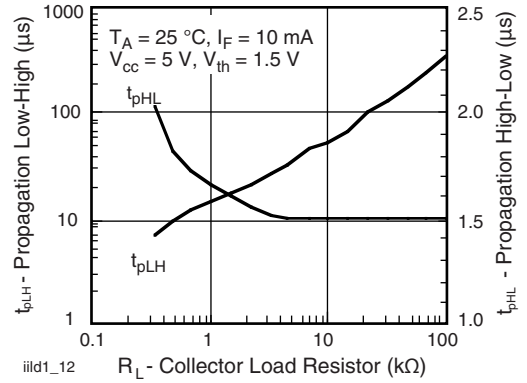
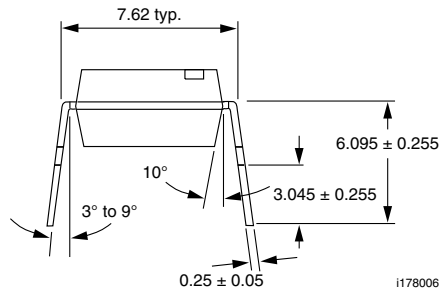
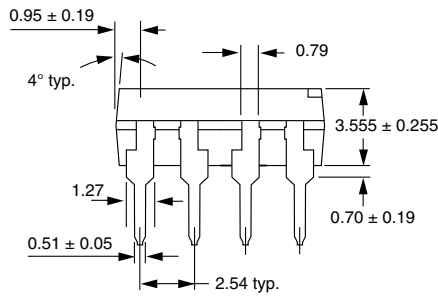
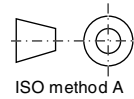
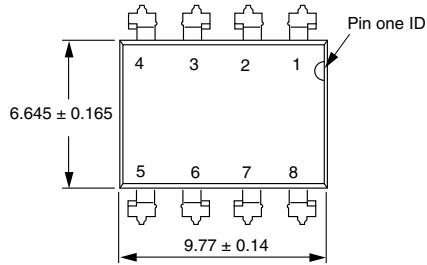


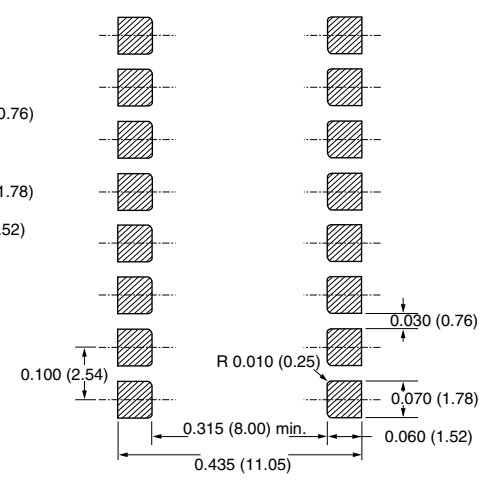
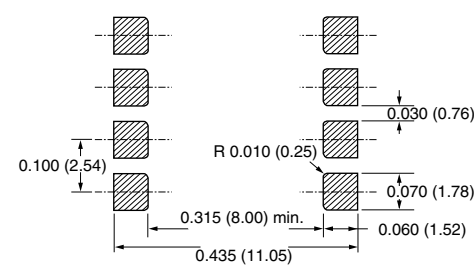
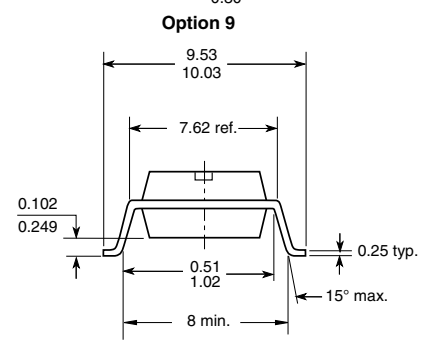
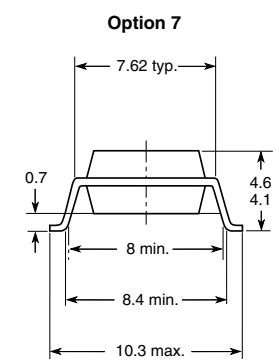
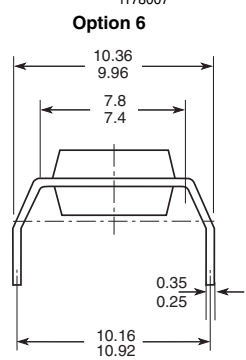
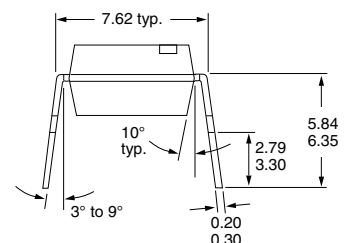
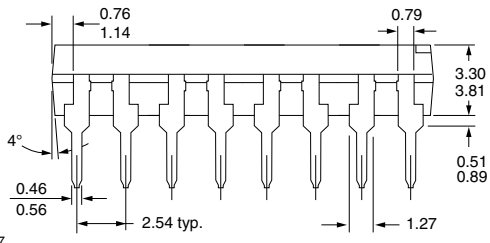
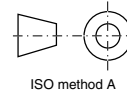
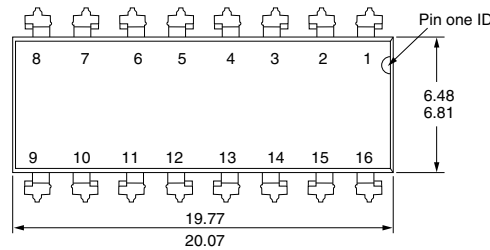
Fig. 14 - Propagation Delay vs. Collector Load Resistor

PACKAGE DIMENSIONS in millimeters



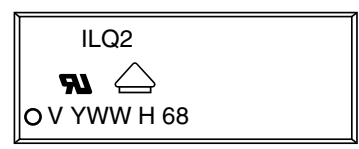
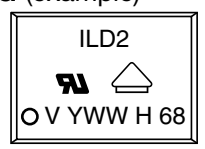


PACKAGE DIMENSIONS in millimeters



18450-9

PACKAGE MARKING (example)



Notes

- Only option 1 and 7 reflected in the package marking
- The VDE logo is only marked on option 1 parts
- Tape and reel suffix (T) is not part of the package marking



Disclaimer

ALL PRODUCT, PRODUCT SPECIFICATIONS AND DATA ARE SUBJECT TO CHANGE WITHOUT NOTICE TO IMPROVE RELIABILITY, FUNCTION OR DESIGN OR OTHERWISE.

Vishay Intertechnology, Inc., its affiliates, agents, and employees, and all persons acting on its or their behalf (collectively, "Vishay"), disclaim any and all liability for any errors, inaccuracies or incompleteness contained in any datasheet or in any other disclosure relating to any product.

Vishay makes no warranty, representation or guarantee regarding the suitability of the products for any particular purpose or the continuing production of any product. To the maximum extent permitted by applicable law, Vishay disclaims (i) any and all liability arising out of the application or use of any product, (ii) any and all liability, including without limitation special, consequential or incidental damages, and (iii) any and all implied warranties, including warranties of fitness for particular purpose, non-infringement and merchantability.

Statements regarding the suitability of products for certain types of applications are based on Vishay's knowledge of typical requirements that are often placed on Vishay products in generic applications. Such statements are not binding statements about the suitability of products for a particular application. It is the customer's responsibility to validate that a particular product with the properties described in the product specification is suitable for use in a particular application. Parameters provided in datasheets and / or specifications may vary in different applications and performance may vary over time. All operating parameters, including typical parameters, must be validated for each customer application by the customer's technical experts. Product specifications do not expand or otherwise modify Vishay's terms and conditions of purchase, including but not limited to the warranty expressed therein.

Except as expressly indicated in writing, Vishay products are not designed for use in medical, life-saving, or life-sustaining applications or for any other application in which the failure of the Vishay product could result in personal injury or death. Customers using or selling Vishay products not expressly indicated for use in such applications do so at their own risk. Please contact authorized Vishay personnel to obtain written terms and conditions regarding products designed for such applications.

No license, express or implied, by estoppel or otherwise, to any intellectual property rights is granted by this document or by any conduct of Vishay. Product names and markings noted herein may be trademarks of their respective owners.