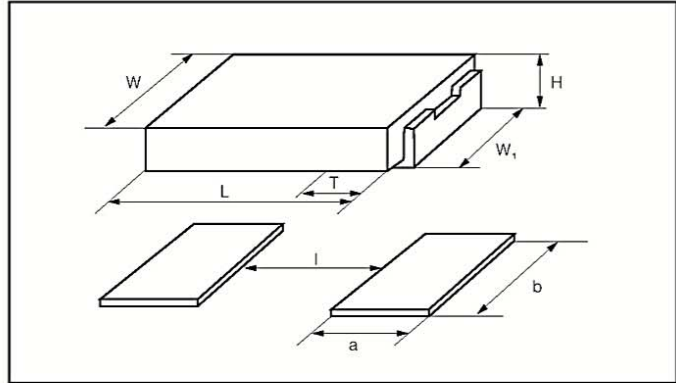




### 构造图 Construction



### 产品特点 Features

- 电阻体采用高能电子束焊接镍铬合金或锰铜合金材料
- 高强度、高稳定性、高可靠、可焊性好
- 低热电势，低电感 (0.5nH到5nH)
- 高温模压封装
- 专有工艺技术能生产极低阻值电阻
- WFL5设计时提高了热处理能力
- Resistive element made of E-Beam welded Nickel-chrome or manganin
- High strength, stability, reliability and excellent solderability
- Low thermal EMF, very low inductance (0.5nH to 5nH)
- Molded high temperature encapsulation
- Proprietary processing technique produce extremely low resistance value
- WFL5 improved the capability of heat treatment in design

### 外形尺寸 Dimensions(mm)

型号 Type	L	H	T	W	W <sub>1</sub>
WFL2 WFL3	11.56 ± 0.813	2.41 ± 0.127	2.54 ± 0.254	6.98 ± 0.127	5.46 ± 0.127

型号 Type	a	b	l
WFL2 WFL3	3.94	5.84	5.21

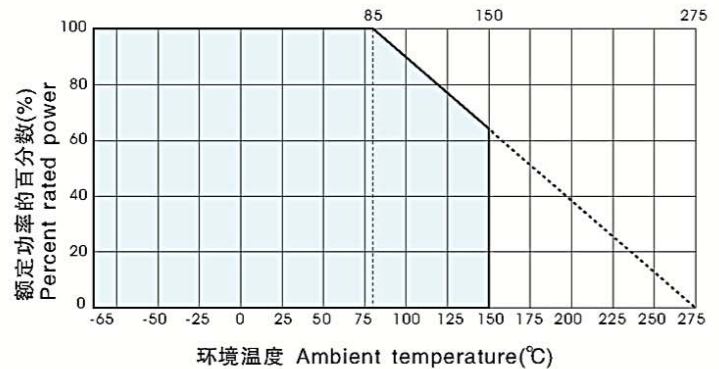
### 应用范围 Applications

- 适用于功能电源
- 仪器仪表
- 功率放大器在内的电流感应，取样电路和脉冲电路等领域。
- Ideal for functional power supply
- Instruments
- circuit applications including current sensing sampling and power amplifiers, etc

### 执行标准 Reference Standards

Q/ATK062

### 降功耗曲线 Derating Curve



### ■ 技术说明 Technical Specifications

型号 Type	尺寸代码 Dimensions	额定功率 Power rating (W)	阻值范围 Resistance range(Ω)		温度系数 TCR (ppm/°C)	绝缘电压 Insulation Voltage(VAC)	绝缘电阻 Insulation Resistance(Ω)	1000片重量 Weight/ 1000pcs(g)
			±0.5%	±1%				
WFL2	4527	2.0	0.01~0.05	0.001~0.05	± 50 ± 100	>500	> 10 <sup>9</sup>	440
WFL3	4527	3.0	0.01~0.05	0.001~0.05		>500	> 10 <sup>9</sup>	440

### ■ 性能指标 Performance

试验项目 Test item	性能要求 Specifications	试验方法 Test Methods
热冲击 Thermal Shock	$\Delta R \leq \pm(0.5\%+0.0005\Omega)$	-65°C / 150°C, 15min, 1000cycles
过负载 Over Load	WFL2: $\Delta R \leq \pm(0.5\%+0.0005\Omega)$ WFL3: $\Delta R \leq \pm(2\%+0.0005\Omega)$	WFL2: 5P <sub>R</sub> , 5S WFL3: 4P <sub>R</sub> , 5S
低温试验 Low Temperature Storage	$\Delta R \leq \pm(0.5\%+0.0005\Omega)$	-65°C, 24h
高温试验 High Temperature Storage	$\Delta R \leq \pm(1.0\%+0.0005\Omega)$	275°C, 1000h
稳态湿热 Damp heat, Steady state	$\Delta R \leq \pm(0.5\%+0.0005\Omega)$	40°C, RH93±3%, 0.1P <sub>R</sub> , 1000h
机械冲击 Mechanical Shock	$\Delta R \leq \pm(0.5\%+0.0005\Omega)$	100g, 6ms, 5cycles
振动试验 Vibration	$\Delta R \leq \pm(0.5\%+0.0005\Omega)$	10~2000HZ, 12h
长期试验 Load Life	WFL2: $\Delta R \leq \pm(1.0\%+0.0005\Omega)$ WFL3: $\Delta R \leq \pm(2.0\%+0.0005\Omega)$	70°C, P <sub>R</sub> , 1000h
耐焊接热 Leaching	$\Delta R \leq \pm(0.5\%+0.0005\Omega)$	+260°C, 10S

### ■ 订货示例 How To Order

例如 Example

WFL	2	3W	0.05mΩ	± 1.0%	盒装	330mm	1000
产品型号 Type	类型 Style	功率 Power	标称阻值 Nominal Value	精度 Tolerance	包装方式 Packaging	直径 Diameter	数量 Weight
WFL	2 3	2W 3W	0.05mΩ	±0.5% ±1.0%	盒装 box	330mm	1000