

DATA SHEET

74LV161

Presettable synchronous 4-bit binary counter; asynchronous reset

Product specification
Supersedes data of 1997 Feb 12
IC24 Data Handbook

1997 May 15

Presetable synchronous 4-bit binary counter; asynchronous reset

74LV161

FEATURES

- Optimized for low voltage applications: 1.0 to 3.6 V
- Accepts TTL input levels between $V_{CC} = 2.7$ V and $V_{CC} = 3.6$ V
- Typical V_{OLP} (output ground bounce) < 0.8 V at $V_{CC} = 3.3$ V, $T_{amb} = 25^{\circ}\text{C}$
- Typical V_{OHV} (output V_{OH} undershoot) > 2 V at $V_{CC} = 3.3$ V, $T_{amb} = 25^{\circ}\text{C}$
- Asynchronous reset
- Synchronous counting and loading
- Two count enable inputs for n-bit cascading
- Positive-edge triggered clock
- Output capability: standard
- I_{CC} category: MSI

DESCRIPTION

The 74LV161 is a low-voltage Si-gate CMOS device and is pin and function compatible with 74HC/HCT161.

The 74LV161 is a synchronous presetable binary counter which features an internal look-ahead carry and can be used for high-speed counting. Synchronous operation is provided by having all flip-flops clocked simultaneously on the positive-going edge of the clock (CP). The outputs (Q_0 to Q_3) of the counters may be preset to a HIGH or LOW level. A LOW level at the parallel enable input (\overline{PE}) disables the counting action and causes the data at the data inputs (D_0 to D_3) to be loaded into the counter on the positive-going edge of the clock (providing that the set-up and hold time requirements for \overline{PE} are met). Preset takes place regardless of the levels at count enable inputs (CEP and CET). A low level at the master reset input (\overline{MR}) sets all four outputs of the flip-flops (Q_0 to Q_3) to LOW level regardless of the levels at CP, \overline{PE} , CET and CEP inputs (thus providing an asynchronous clear function).

The look-ahead carry simplifies serial cascading of the counters. Both count enable inputs (CEP and CET) must be HIGH to count. The CET input is fed forward to enable the terminal count output (TC). The TC output thus enabled will produce a HIGH output pulse of a duration approximately equal to a HIGH level output of Q_0 . This pulse can be used to enable the next cascading stage. The maximum clock frequency for the cascaded counters is determined by the CP to TC propagation delay and CEP to CP set-up time, according to the following formula:

$$f_{\max} = \frac{1}{t_{p(\max)}(\text{CP to TC}) + t_{su}(\text{CEP to CP})}$$

QUICK REFERENCE DATA

GND = 0 V; $T_{amb} = 25^{\circ}\text{C}$; $t_r = t_f \leq 2.5$ ns

| SYMBOL | PARAMETER | CONDITIONS | TYPICAL | UNIT |
|-------------------|--|------------------------------------|---------|------|
| t_{PHL}/t_{PLH} | Propagation delay | $C_L = 15$ pF; $V_{CC} = 3.3$ V | | |
| | CP to Q_n | | 15 | ns |
| | CP to TC | | 18 | |
| | \overline{MR} to Q_n | | 15 | |
| | \overline{MR} to TC | | 17 | |
| CET to TC | 9 | | | |
| f_{\max} | Maximum clock frequency | | 77 | MHz |
| C_I | Input capacitance | | 3.5 | pF |
| C_{PD} | Power dissipation capacitance per gate | $V_I = \text{GND to } V_{CC}^1$ | 25 | pF |

NOTES:

- C_{PD} is used to determine the dynamic power dissipation (P_D in μW)
 $P_D = C_{PD} \times V_{CC}^2 \times f_i + \sum (C_L \times V_{CC}^2 \times f_o)$ where:
 f_i = input frequency in MHz; C_L = output load capacity in pF;
 f_o = output frequency in MHz; V_{CC} = supply voltage in V;
 $\sum (C_L \times V_{CC}^2 \times f_o)$ = sum of the outputs.

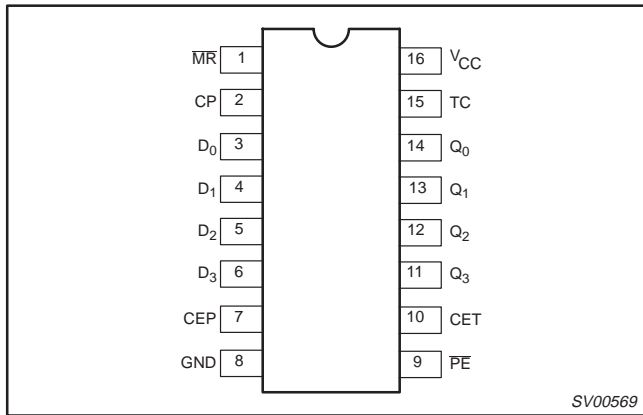
ORDERING INFORMATION

| PACKAGES | TEMPERATURE RANGE | OUTSIDE NORTH AMERICA | NORTH AMERICA | PKG. DWG. # |
|-----------------------------|-------------------|-----------------------|---------------|-------------|
| 16-Pin Plastic DIL | -40°C to +125°C | 74LV161 N | 74LV161 N | SOT38-4 |
| 16-Pin Plastic SO | -40°C to +125°C | 74LV161 D | 74LV161 D | SOT109-1 |
| 16-Pin Plastic SSOP Type II | -40°C to +125°C | 74LV161 DB | 74LV161 DB | SOT338-1 |
| 16-Pin Plastic TSSOP Type I | -40°C to +125°C | 74LV161 PW | 74LV161PW DH | SOT403-1 |

Pre-settable synchronous 4-bit binary counter; asynchronous reset

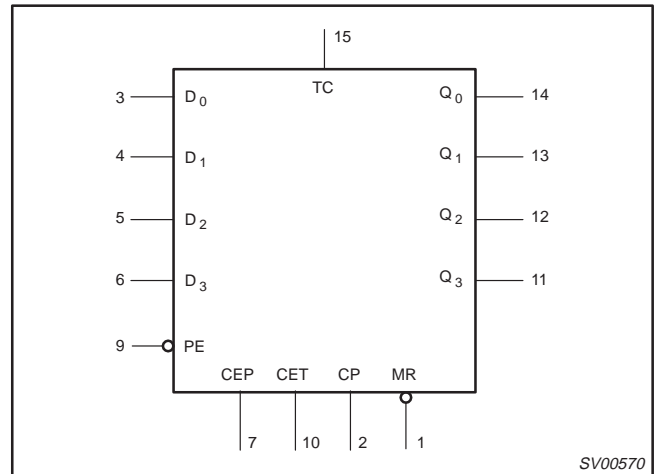
74LV161

PIN CONFIGURATION



SV00569

LOGIC SYMBOL

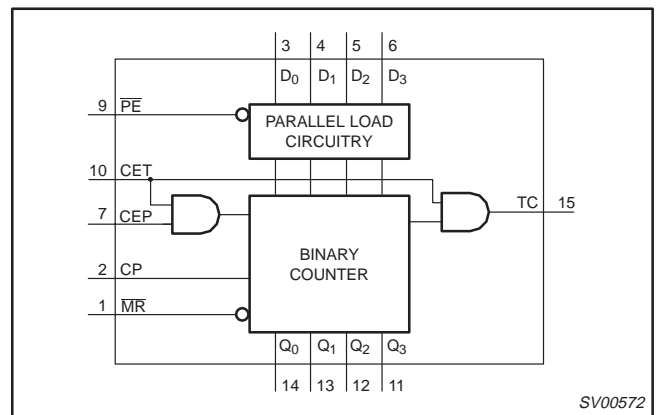


SV00570

PIN DESCRIPTION

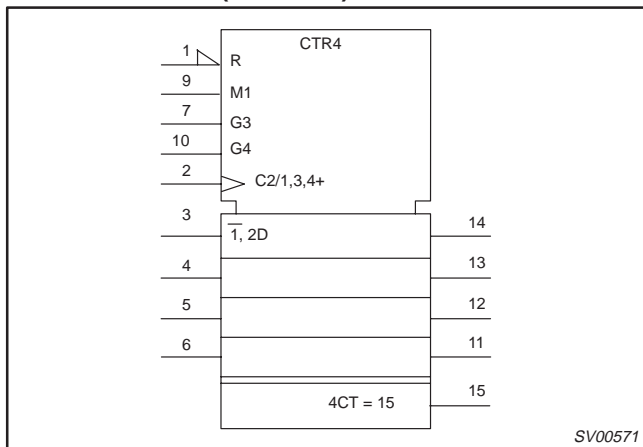
| PIN NUMBER | SYMBOL | FUNCTION |
|----------------|----------------------------------|---|
| 1 | MR | Asynchronous master reset (active LOW) |
| 2 | CP | Clock input (LOW-to-HIGH, edge-triggered) |
| 3, 4, 5, 6 | D ₀ to D ₃ | Data inputs |
| 7 | CEP | Count enable inputs |
| 8 | GND | Ground (0 V) |
| 9 | PE | Parallel enable input (active LOW) |
| 10 | CET | Count enable carry input |
| 14, 13, 12, 11 | Q ₀ to Q ₃ | Flip-flop outputs |
| 15 | TC | Terminal count output |
| 16 | V _{CC} | Positive supply voltage |

FUNCTIONAL DIAGRAM



SV00572

LOGIC SYMBOL (IEEE/IEC)



SV00571

Pre-settable synchronous 4-bit binary counter; asynchronous reset

74LV161

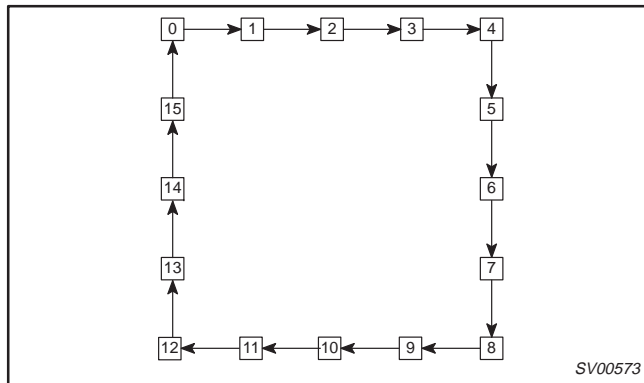
FUNCTION TABLE

| OPERATING MODES | INPUTS | | | | | | OUTPUTS | |
|-------------------|--------|----|-----|-----|----|----------------|----------------|----|
| | MR | CP | CEP | CET | PE | D _n | Q _n | TC |
| Reset (clear) | L | X | X | X | X | X | L | L |
| Parallel load | H | ↑ | X | X | l | l | L | L |
| | H | ↑ | X | X | l | h | H | * |
| Count | H | ↑ | h | h | h | X | Count | * |
| Hold (do nothing) | H | X | l | X | h | X | q _n | * |
| | H | X | X | l | h | X | q _n | L |

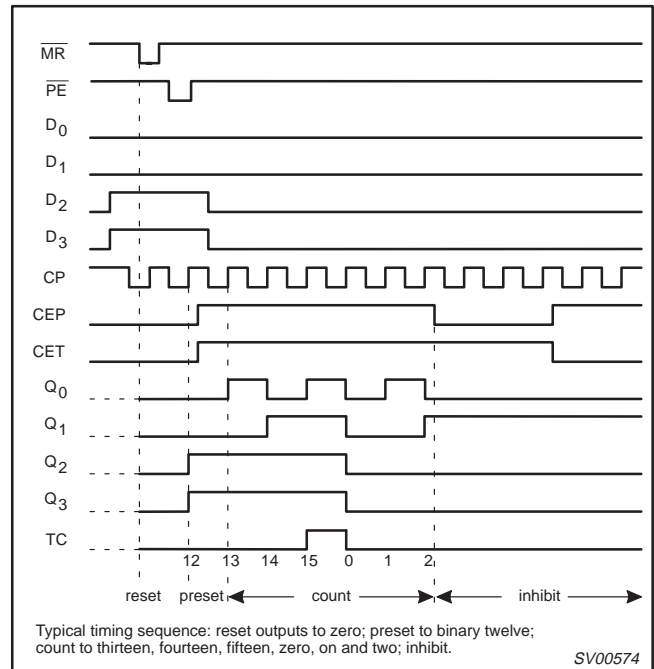
NOTES:

- * = The TC output is HIGH when CET is HIGH and the counter is at terminal count (HHHH)
- H = HIGH voltage level
- h = HIGH voltage level one set-up time prior to the LOW-to-HIGH clock transition
- L = LOW voltage level
- l = LOW voltage level one set-up time prior to the LOW-to-HIGH clock transition
- q = lower case letters indicate the state of the referenced output one set-up time prior to the LOW-to-HIGH clock transition
- X = don't care
- ↑ = LOW-to-HIGH clock transition

STATE DIAGRAM



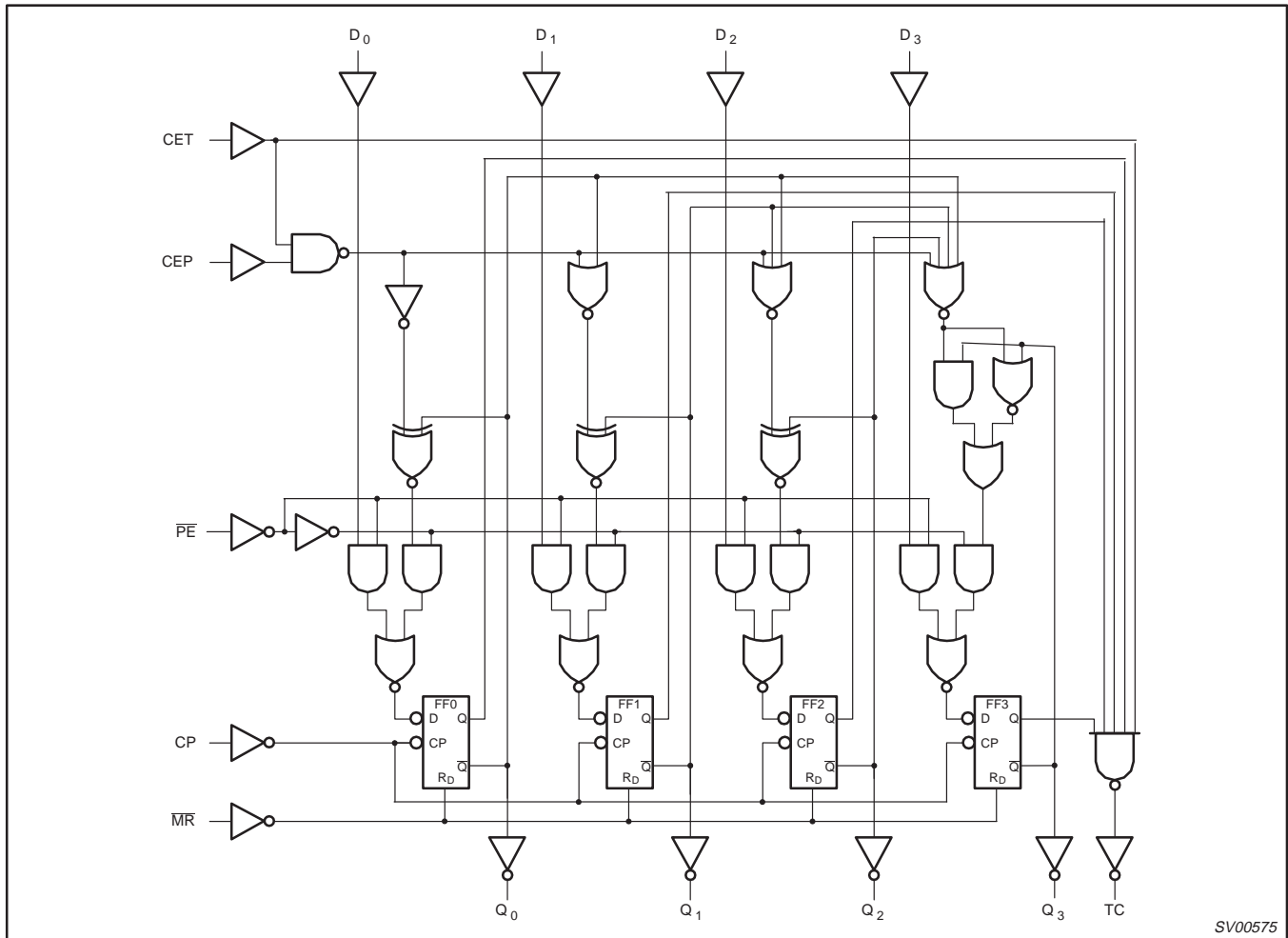
TYPICAL TIMING SEQUENCE



Pre-settable synchronous 4-bit binary counter; asynchronous reset

74LV161

LOGIC DIAGRAM



SV00575

Presetable synchronous 4-bit binary counter; asynchronous reset

74LV161

ABSOLUTE MAXIMUM RATINGS^{1, 2}

In accordance with the Absolute Maximum Rating System (IEC 134).

Voltages are referenced to GND (ground = 0 V).

| SYMBOL | PARAMETER | CONDITIONS | RATING | UNIT |
|---------------------------------|---|--|-------------------|------|
| V_{CC} | DC supply voltage | | -0.5 to +4.6 | V |
| $\pm I_{IK}$ | DC input diode current | $V_I < -0.5$ or $V_I > V_{CC} + 0.5V$ | 20 | mA |
| $\pm I_{OK}$ | DC output diode current | $V_O < -0.5$ or $V_O > V_{CC} + 0.5V$ | 50 | mA |
| $\pm I_O$ | DC output source or sink current – standard outputs – bus driver outputs | $-0.5V < V_O < V_{CC} + 0.5V$ | 25 35 | mA |
| $\pm I_{GND}$, $\pm I_{CC}$ | DC V_{CC} or GND current for types with – standard outputs – bus driver outputs | | 50 70 | mA |
| T_{stg} | Storage temperature range | | -65 to +150 | °C |
| P_{TOT} | Power dissipation per package – plastic DIL – plastic mini-pack (SO) – plastic shrink mini-pack (SSOP and TSSOP) | for temperature range: -40 to +125°C above +70°C derate linearly with 12 mW/K above +70°C derate linearly with 8 mW/K above +60°C derate linearly with 5.5 mW/K | 750 500 400 | mW |

NOTES:

- Stresses beyond those listed may cause permanent damage to the device. These are stress ratings only and functional operation of the device at these or any other conditions beyond those indicated under “recommended operating conditions” is not implied. Exposure to absolute-maximum-rated conditions for extended periods may affect device reliability.
- The input and output voltage ratings may be exceeded if the input and output current ratings are observed.

RECOMMENDED OPERATING CONDITIONS

| SYMBOL | PARAMETER | CONDITIONS | MIN | TYP | MAX | UNIT |
|---------------|---|---|-------------|-------------|-------------------|------|
| V_{CC} | DC supply voltage | See Note 1 | 1.0 | 3.3 | 3.6 | V |
| V_I | Input voltage | | 0 | – | V_{CC} | V |
| V_O | Output voltage | | 0 | – | V_{CC} | V |
| T_{amb} | Operating ambient temperature range in free air | See DC and AC characteristics per device | -40 -40 | | +85 +125 | °C |
| t_r , t_f | Input rise and fall times except for Schmitt-trigger inputs | $V_{CC} = 1.0V$ to $2.0V$ $V_{CC} = 2.0V$ to $2.7V$ $V_{CC} = 2.7V$ to $3.6V$ | – – – | – – – | 500 200 100 | ns/V |

NOTE:

- The LV is guaranteed to function down to $V_{CC} = 1.0V$ (input levels GND or V_{CC}); DC characteristics are guaranteed from $V_{CC} = 1.2V$ to $V_{CC} = 3.6V$.

Presettable synchronous 4-bit binary counter; asynchronous reset

74LV161

DC ELECTRICAL CHARACTERISTICS

Over recommended operating conditions. Voltages are referenced to GND (ground = 0 V).

| SYMBOL | PARAMETER | TEST CONDITIONS | LIMITS | | | | | UNIT |
|------------------|---|--|----------------|------------------|------|-----------------|------|------|
| | | | -40°C to +85°C | | | -40°C to +125°C | | |
| | | | MIN | TYP ¹ | MAX | MIN | MAX | |
| V _{IH} | HIGH level Input voltage | V _{CC} = 1.2 V | 0.9 | | | 0.9 | | V |
| | | V _{CC} = 2.0 V | 1.4 | | | 1.4 | | |
| | | V _{CC} = 2.7 to 3.6 V | 2.0 | | | 2.0 | | |
| V _{IL} | LOW level Input voltage | V _{CC} = 1.2 V | | | 0.3 | | 0.3 | V |
| | | V _{CC} = 2.0 V | | | 0.6 | | 0.6 | |
| | | V _{CC} = 2.7 to 3.6 V | | | 0.8 | | 0.8 | |
| V _{OH} | HIGH level output voltage; all outputs | V _{CC} = 1.2 V; V _I = V _{IH} or V _{IL} ; -I _O = 100µA | | 1.2 | | | | V |
| | | V _{CC} = 2.0 V; V _I = V _{IH} or V _{IL} ; -I _O = 100µA | 1.8 | 2.0 | | 1.8 | | |
| | | V _{CC} = 2.7 V; V _I = V _{IH} or V _{IL} ; -I _O = 100µA | 2.5 | 2.7 | | 2.5 | | |
| | | V _{CC} = 3.0 V; V _I = V _{IH} or V _{IL} ; -I _O = 100µA | 2.8 | 3.0 | | 2.8 | | |
| V _{OH} | HIGH level output voltage; STANDARD outputs | V _{CC} = 3.0 V; V _I = V _{IH} or V _{IL} ; -I _O = 6mA | 2.40 | 2.82 | | 2.20 | | V |
| V _{OH} | HIGH level output voltage; BUS driver outputs | V _{CC} = 3.0 V; V _I = V _{IH} or V _{IL} ; -I _O = 8mA | 2.40 | 2.82 | | 2.20 | | V |
| V _{OL} | LOW level output voltage; all outputs | V _{CC} = 1.2 V; V _I = V _{IH} or V _{IL} ; I _O = 100µA | | 0 | | | | V |
| | | V _{CC} = 2.0 V; V _I = V _{IH} or V _{IL} ; I _O = 100µA | | 0 | 0.2 | | 0.2 | |
| | | V _{CC} = 2.7 V; V _I = V _{IH} or V _{IL} ; I _O = 100µA | | 0 | 0.2 | | 0.2 | |
| | | V _{CC} = 3.0 V; V _I = V _{IH} or V _{IL} ; I _O = 100µA | | 0 | 0.2 | | 0.2 | |
| V _{OL} | LOW level output voltage; STANDARD outputs | V _{CC} = 3.0 V; V _I = V _{IH} or V _{IL} ; I _O = 6mA | | 0.25 | 0.40 | | 0.50 | V |
| V _{OL} | LOW level output voltage; BUS driver outputs | V _{CC} = 3.0 V; V _I = V _{IH} or V _{IL} ; I _O = 8mA | | 0.20 | 0.40 | | 0.50 | V |
| I _I | Input leakage current | V _{CC} = 3.6 V; V _I = V _{CC} or GND | | | 1.0 | | 1.0 | µA |
| I _{oz} | 3-State output OFF-state current | V _{CC} = 3.6 V; V _I = V _{IH} or V _{IL} ; V _O = V _{CC} or GND | | | 5 | | 10 | µA |
| I _{CC} | Quiescent supply current; SSI | V _{CC} = 3.6V; V _I = V _{CC} or GND; I _O = 0 | | | 20.0 | | 40 | µA |
| | Quiescent supply current; flip-flops | V _{CC} = 3.6V; V _I = V _{CC} or GND; I _O = 0 | | | 20.0 | | 80 | |
| | Quiescent supply current; MSI | V _{CC} = 3.6 V; V _I = V _{CC} or GND; I _O = 0 | | | 20.0 | | 160 | µA |
| | Quiescent supply current; LSI | V _{CC} = 3.6 V; V _I = V _{CC} or GND; I _O = 0 | | | 500 | | 1000 | |
| ΔI _{CC} | Additional quiescent supply current per input | V _{CC} = 2.7 V to 3.6 V; V _I = V _{CC} - 0.6 V | | | 500 | | 850 | µA |

NOTE:

1. All typical values are measured at T_{amb} = 25°C.

Pre-settable synchronous 4-bit binary counter; asynchronous reset

74LV161

AC CHARACTERISTICS

GND = 0V; $t_r = t_f \leq 2.5\text{ns}$; $C_L = 50\text{pF}$; $R_L = 1\text{k}\Omega$

| SYMBOL | PARAMETER | WAVEFORM | CONDITION | LIMITS | | | | | UNIT |
|---------------------------------|----------------------------------|--------------|------------|--------------------|-----------------|------------------|----------------|-----|------|
| | | | | -40 to +85 °C | | | -40 to +125 °C | | |
| | | | | $V_{CC}(\text{V})$ | MIN | TYP ¹ | MAX | MIN | |
| $t_{\text{PHL}}/t_{\text{PLH}}$ | Propagation delay CP to Q_n | Figures 1, 6 | 1.2 | | 95 | | | | ns |
| | | | 2.0 | | 32 | 61 | | 75 | |
| | | | 2.7 | | 24 | 45 | | 55 | |
| | | | 3.0 to 3.6 | | 18 ² | 36 | | 44 | |
| $t_{\text{PHL}}/t_{\text{PLH}}$ | Propagation delay CP to TC | Figures 1, 6 | 1.2 | | 115 | | | | ns |
| | | | 2.0 | | 39 | 75 | | 90 | |
| | | | 2.7 | | 29 | 55 | | 66 | |
| | | | 3.0 to 3.6 | | 22 ² | 44 | | 53 | |
| $t_{\text{PHL}}/t_{\text{PLH}}$ | Propagation delay MR to Q_n | Figures 2, 6 | 1.2 | | 95 | | | | ns |
| | | | 2.0 | | 32 | 61 | | 75 | |
| | | | 2.7 | | 24 | 45 | | 55 | |
| | | | 3.0 to 3.6 | | 18 ² | 36 | | 44 | |
| $t_{\text{PHL}}/t_{\text{PLH}}$ | Propagation delay MR to TC | Figures 2, 6 | 1.2 | | 105 | | | | ns |
| | | | 2.0 | | 36 | 68 | | 82 | |
| | | | 2.7 | | 26 | 50 | | 60 | |
| | | | 3.0 to 3.6 | | 20 ² | 40 | | 48 | |
| $t_{\text{PHL}}/t_{\text{PLH}}$ | Propagation delay CET to TC | Figures 1, 6 | 1.2 | | 55 | | | | ns |
| | | | 2.0 | | 19 | 36 | | 44 | |
| | | | 2.7 | | 14 | 26 | | 33 | |
| | | | 3.0 to 3.6 | | 10 ² | 21 | | 26 | |
| t_w | Clock pulse width HIGH or LOW | Figures 2, 6 | 2.0 | 34 | 10 | | 41 | | ns |
| | | | 2.7 | 25 | 8 | | 30 | | |
| | | | 3.0 to 3.6 | 20 | 6 ² | | 24 | | |
| t_w | Master reset width; LOW | Figures 2, 6 | 2.0 | 34 | 14 | | 41 | | ns |
| | | | 2.7 | 25 | 10 | | 30 | | |
| | | | 3.0 to 3.6 | 20 | 8 ² | | 24 | | |
| t_{rem} | Removal time MR to CP | Figures 2, 6 | 1.2 | | 25 | | | | ns |
| | | | 2.0 | | 22 | 9 | | 26 | |
| | | | 2.7 | | 16 | 6 | | 19 | |
| | | | 3.0 to 3.6 | | 13 | 5 ² | | 15 | |
| t_{su} | Set-up time D_n to CP | Figures 4, 6 | 1.2 | | 25 | | | | ns |
| | | | 2.0 | | 22 | 9 | | 26 | |
| | | | 2.7 | | 16 | 6 | | 19 | |
| | | | 3.0 to 3.6 | | 13 | 5 ² | | 15 | |
| t_{su} | Set-up time PE to CP | Figures 4, 6 | 1.2 | | 30 | | | | ns |
| | | | 2.0 | | 22 | 10 | | 26 | |
| | | | 2.7 | | 16 | 8 | | 19 | |
| | | | 3.0 to 3.6 | | 13 | 6 ² | | 15 | |
| t_{su} | Set-up time CEP, CET to CP | Figures 5, 6 | 1.2 | | 30 | | | | ns |
| | | | 2.0 | | 22 | 10 | | 26 | |
| | | | 2.7 | | 16 | 8 | | 19 | |
| | | | 3.0 to 3.6 | | 13 | 6 ² | | 15 | |

Pre-settable synchronous 4-bit binary counter; asynchronous reset

74LV161

AC ELECTRICAL CHARACTERISTICS (Continued)

| SYMBOL | PARAMETER | WAVEFORM | CONDITION | LIMITS | | | | UNIT | |
|------------------|--|---------------|------------|---------------------|-----------------|------------------|----------------|------|-----|
| | | | | -40 to +85 °C | | | -40 to +125 °C | | |
| | | | | V _{CC} (V) | MIN | TYP ¹ | MAX | | MIN |
| t _h | Hold time D _n , $\overline{\text{PE}}$, CEP, CET to CP | Figures 4 – 6 | 1.2 | | -35 | | | ns | |
| | | | 2.0 | 0 | -12 | | 0 | | |
| | | | 2.7 | 0 | -9 | | 0 | | |
| | | | 3.0 to 3.6 | 0 | -7 ² | | 0 | | |
| f _{max} | Maximum clock pulse frequency | Figures 1, 6 | 2.0 | 14 | 40 | | 12 | MHz | |
| | | | 2.7 | 19 | 58 | | 16 | | |
| | | | 3.0 to 3.6 | 24 | 70 | | 20 | | |

NOTES:

1. Unless otherwise stated, all typical values are measured at T_{amb} = 25°C
2. Typical values are measured at V_{CC} = 3.3 V.

AC WAVEFORMS

V_M = 1.5 V at V_{CC} ≥ 2.7 V;
 V_M = 0.5 × V_{CC} at V_{CC} < 2.7 V;
 V_{OL} and V_{OH} are the typical output voltage drop that occur with the output load.

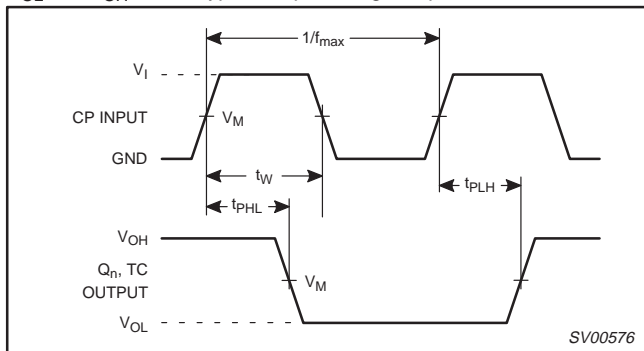


Figure 1. Clock (CP) to outputs (Q_n, TC) propagation delays, the clock pulse width and the maximum clock frequency.

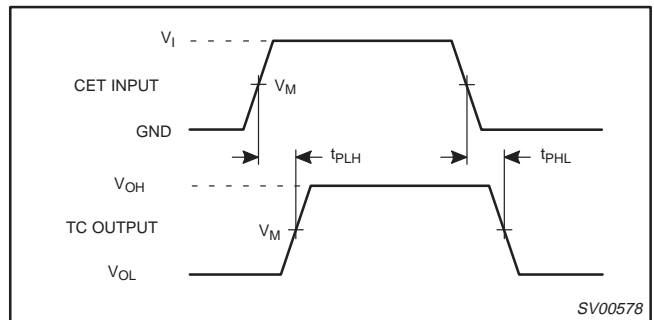


Figure 3. Input (CET) to output (TC) propagation delays.

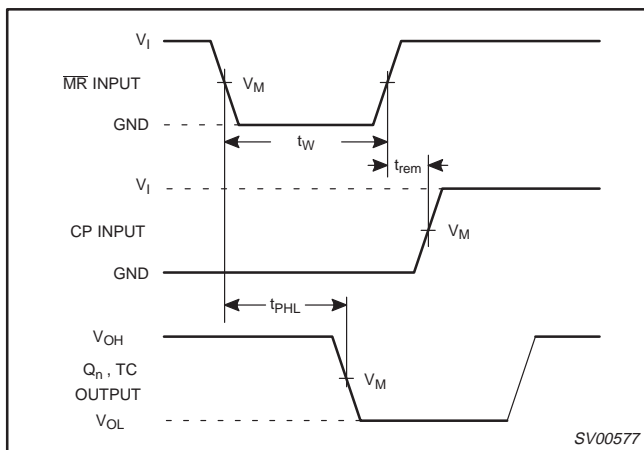


Figure 2. Master reset ($\overline{\text{MR}}$) pulse width, the master reset to output (Q_n, TC) propagation delays and the master reset to clock (CP) removal times.

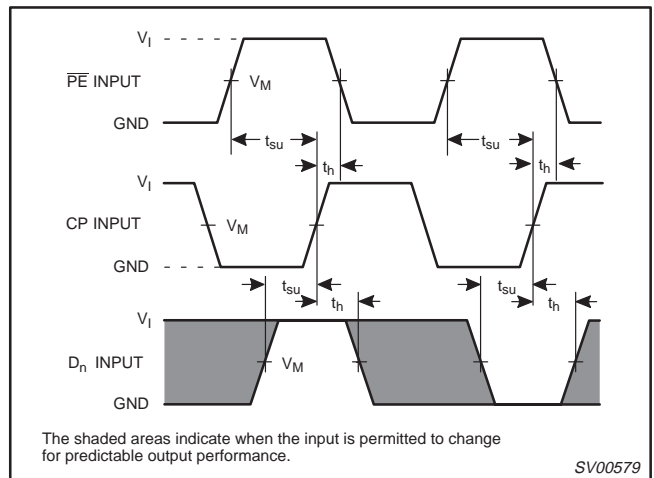


Figure 4. Set-up and hold times for input (D_n) and parallel enable input ($\overline{\text{PE}}$).

Pre-settable synchronous 4-bit binary counter; asynchronous reset

74LV161

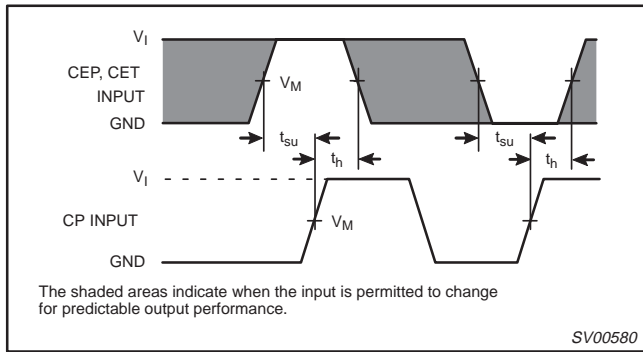


Figure 5. CEP and CET set-up and hold times.

TEST CIRCUIT

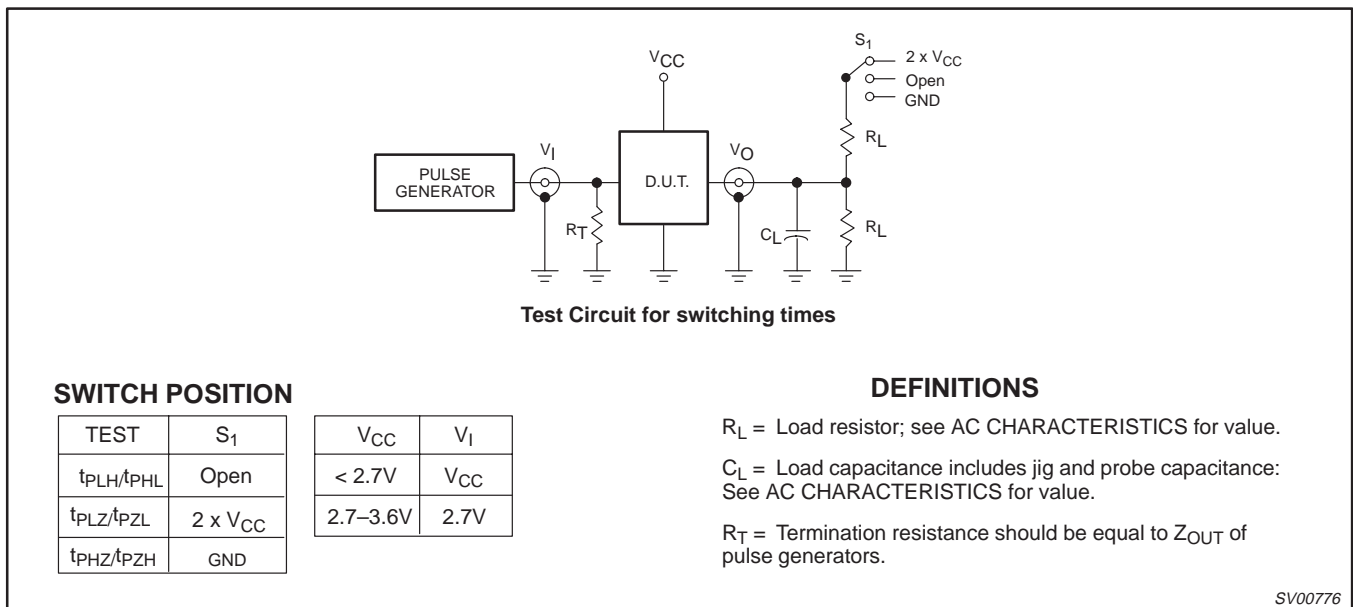


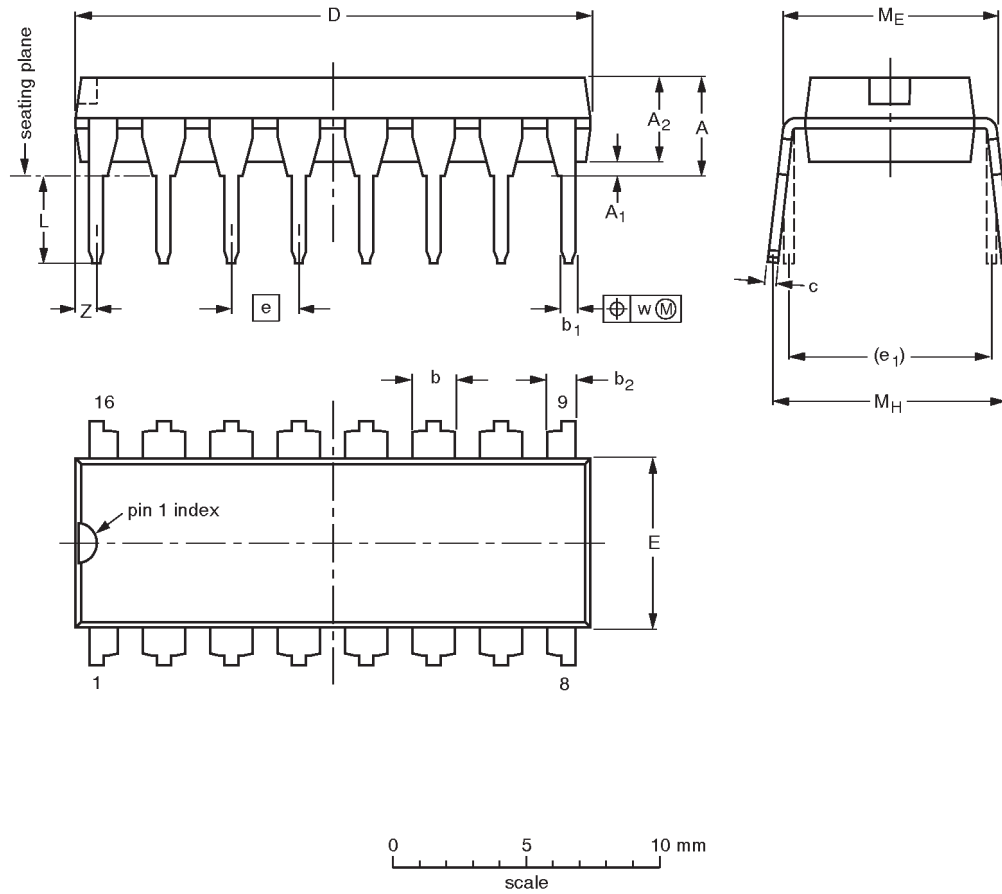
Figure 6. Load circuitry for switching times.

Presettable synchronous 4-bit binary counter;
asynchronous reset

74LV161

DIP16: plastic dual in-line package; 16 leads (300 mil)

SOT38-4



DIMENSIONS (inch dimensions are derived from the original mm dimensions)

| UNIT | A max. | A ₁ min. | A ₂ max. | b | b ₁ | b ₂ | c | D ⁽¹⁾ | E ⁽¹⁾ | e | e ₁ | L | M _E | M _H | w | Z ⁽¹⁾ max. |
|--------|--------|---------------------|---------------------|----------------|----------------|----------------|----------------|------------------|------------------|------|----------------|--------------|----------------|----------------|-------|-----------------------|
| mm | 4.2 | 0.51 | 3.2 | 1.73 1.30 | 0.53 0.38 | 1.25 0.85 | 0.36 0.23 | 19.50 18.55 | 6.48 6.20 | 2.54 | 7.62 | 3.60 3.05 | 8.25 7.80 | 10.0 8.3 | 0.254 | 0.76 |
| inches | 0.17 | 0.020 | 0.13 | 0.068 0.051 | 0.021 0.015 | 0.049 0.033 | 0.014 0.009 | 0.77 0.73 | 0.26 0.24 | 0.10 | 0.30 | 0.14 0.12 | 0.32 0.31 | 0.39 0.33 | 0.01 | 0.030 |

Note

1. Plastic or metal protrusions of 0.25 mm maximum per side are not included.

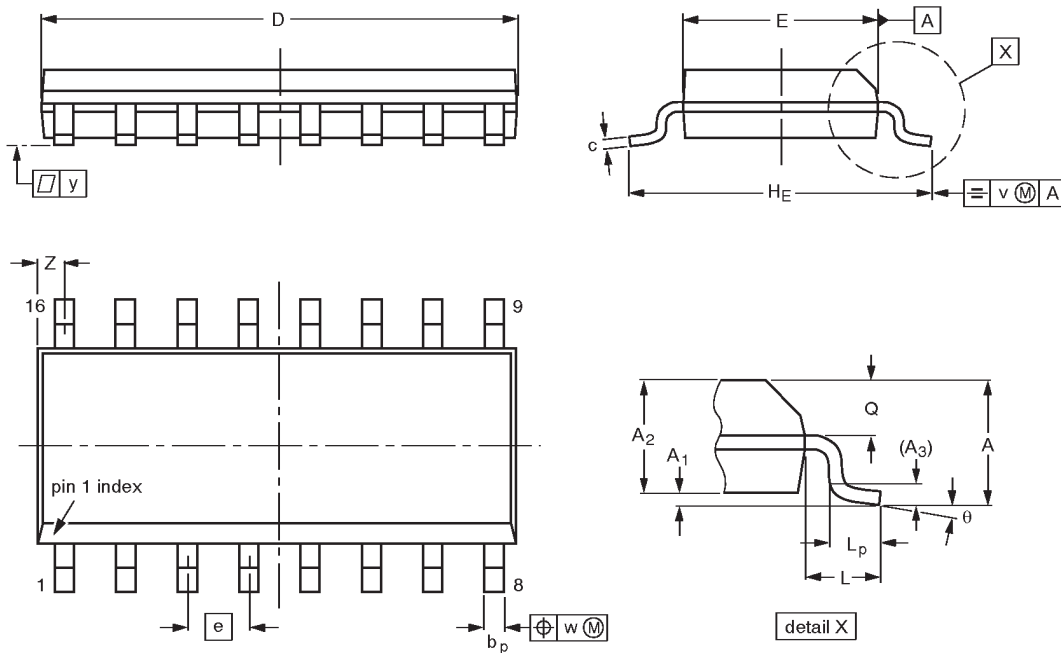
| OUTLINE VERSION | REFERENCES | | | | EUROPEAN PROJECTION | ISSUE DATE |
|-----------------|------------|-------|------|--|---------------------|----------------------|
| | IEC | JEDEC | EIAJ | | | |
| SOT38-4 | | | | | | 92-11-17 95-01-14 |

Presettable synchronous 4-bit binary counter;
asynchronous reset

74LV161

SO16: plastic small outline package; 16 leads; body width 3.9 mm

SOT109-1



DIMENSIONS (inch dimensions are derived from the original mm dimensions)

| UNIT | A max. | A ₁ | A ₂ | A ₃ | b _p | c | D ⁽¹⁾ | E ⁽¹⁾ | e | H _E | L | L _p | Q | v | w | y | z ⁽¹⁾ | θ |
|--------|--------|------------------|----------------|----------------|----------------|------------------|------------------|------------------|-------|----------------|-------|----------------|----------------|------|------|-------|------------------|----------|
| mm | 1.75 | 0.25 0.10 | 1.45 1.25 | 0.25 | 0.49 0.36 | 0.25 0.19 | 10.0 9.8 | 4.0 3.8 | 1.27 | 6.2 5.8 | 1.05 | 1.0 0.4 | 0.7 0.6 | 0.25 | 0.25 | 0.1 | 0.7 0.3 | 8° 0° |
| inches | 0.069 | 0.0098 0.0039 | 0.057 0.049 | 0.01 | 0.019 0.014 | 0.0098 0.0075 | 0.39 0.38 | 0.16 0.15 | 0.050 | 0.24 0.23 | 0.041 | 0.039 0.016 | 0.028 0.020 | 0.01 | 0.01 | 0.004 | 0.028 0.012 | |

Note

1. Plastic or metal protrusions of 0.15 mm maximum per side are not included.

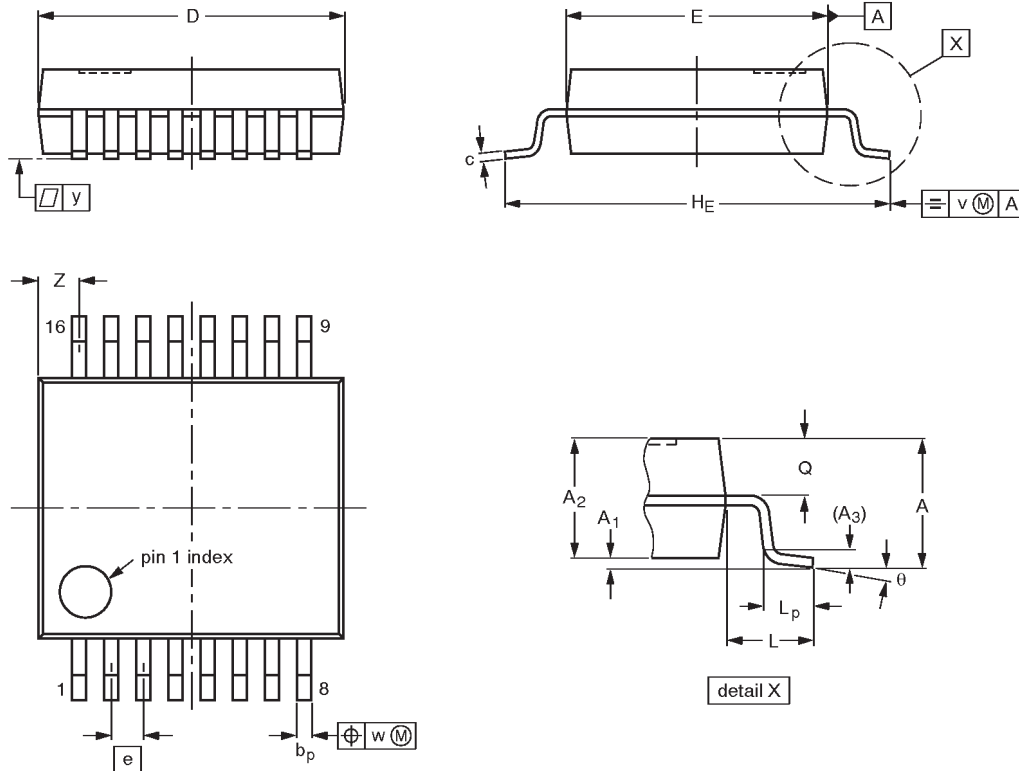
| OUTLINE VERSION | REFERENCES | | | | EUROPEAN PROJECTION | ISSUE DATE |
|-----------------|------------|----------|------|--|---------------------|----------------------|
| | IEC | JEDEC | EIAJ | | | |
| SOT109-1 | 076E07S | MS-012AC | | | | 91-08-13 95-01-23 |

Pre-settable synchronous 4-bit binary counter;
asynchronous reset

74LV161

SSOP16: plastic shrink small outline package; 16 leads; body width 5.3 mm

SOT338-1



DIMENSIONS (mm are the original dimensions)

| UNIT | A max. | A ₁ | A ₂ | A ₃ | b _p | c | D ⁽¹⁾ | E ⁽¹⁾ | e | H _E | L | L _p | Q | v | w | y | Z ⁽¹⁾ | θ |
|------|--------|----------------|----------------|----------------|----------------|--------------|------------------|------------------|------|----------------|------|----------------|------------|-----|------|-----|------------------|----------|
| mm | 2.0 | 0.21 0.05 | 1.80 1.65 | 0.25 | 0.38 0.25 | 0.20 0.09 | 6.4 6.0 | 5.4 5.2 | 0.65 | 7.9 7.6 | 1.25 | 1.03 0.63 | 0.9 0.7 | 0.2 | 0.13 | 0.1 | 1.00 0.55 | 8° 0° |

Note

1. Plastic or metal protrusions of 0.25 mm maximum per side are not included.

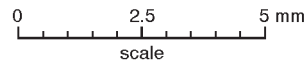
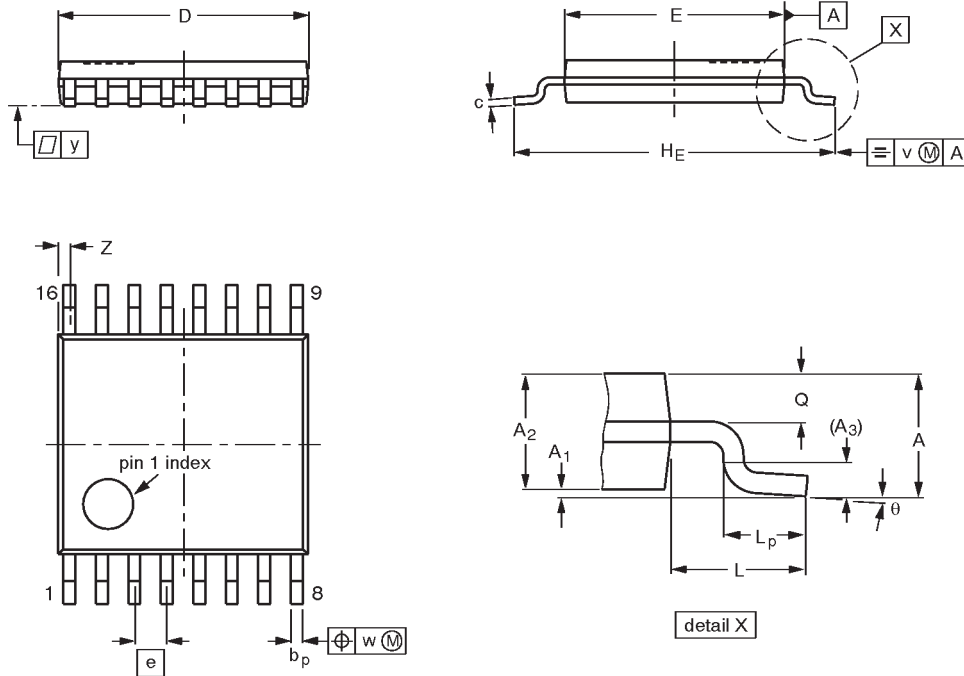
| OUTLINE VERSION | REFERENCES | | | | EUROPEAN PROJECTION | ISSUE DATE |
|-----------------|------------|----------|------|--|---------------------|-----------------------|
| | IEC | JEDEC | EIAJ | | | |
| SOT338-1 | | MO-150AC | | | | 94-01-14- 95-02-04 |

Pre-settable synchronous 4-bit binary counter;
asynchronous reset

74LV161

TSSOP16: plastic thin shrink small outline package; 16 leads; body width 4.4 mm

SOT403-1



DIMENSIONS (mm are the original dimensions)

| UNIT | A max. | A ₁ | A ₂ | A ₃ | b _p | c | D ⁽¹⁾ | E ⁽²⁾ | e | H _E | L | L _p | Q | v | w | y | Z ⁽¹⁾ | θ |
|------|--------|----------------|----------------|----------------|----------------|------------|------------------|------------------|------|----------------|-----|----------------|------------|-----|------|-----|------------------|----------|
| mm | 1.10 | 0.15 0.05 | 0.95 0.80 | 0.25 | 0.30 0.19 | 0.2 0.1 | 5.1 4.9 | 4.5 4.3 | 0.65 | 6.6 6.2 | 1.0 | 0.75 0.50 | 0.4 0.3 | 0.2 | 0.13 | 0.1 | 0.40 0.06 | 8° 0° |

Notes

1. Plastic or metal protrusions of 0.15 mm maximum per side are not included.
2. Plastic interlead protrusions of 0.25 mm maximum per side are not included.

| OUTLINE VERSION | REFERENCES | | | | EUROPEAN PROJECTION | ISSUE DATE |
|-----------------|------------|--------|------|--|---------------------|----------------------|
| | IEC | JEDEC | EIAJ | | | |
| SOT403-1 | | MO-153 | | | | 94-07-12 95-04-04 |

Presetable synchronous 4-bit binary counter;
asynchronous reset

74LV161

NOTES

Presetable synchronous 4-bit binary counter; asynchronous reset

74LV161

DEFINITIONS

| Data Sheet Identification | Product Status | Definition |
|----------------------------------|-------------------------------|--|
| <i>Objective Specification</i> | Formative or in Design | This data sheet contains the design target or goal specifications for product development. Specifications may change in any manner without notice. |
| <i>Preliminary Specification</i> | Preproduction Product | This data sheet contains preliminary data, and supplementary data will be published at a later date. Philips Semiconductors reserves the right to make changes at any time without notice in order to improve design and supply the best possible product. |
| <i>Product Specification</i> | Full Production | This data sheet contains Final Specifications. Philips Semiconductors reserves the right to make changes at any time without notice, in order to improve design and supply the best possible product. |

Philips Semiconductors and Philips Electronics North America Corporation reserve the right to make changes, without notice, in the products, including circuits, standard cells, and/or software, described or contained herein in order to improve design and/or performance. Philips Semiconductors assumes no responsibility or liability for the use of any of these products, conveys no license or title under any patent, copyright, or mask work right to these products, and makes no representations or warranties that these products are free from patent, copyright, or mask work right infringement, unless otherwise specified. Applications that are described herein for any of these products are for illustrative purposes only. Philips Semiconductors makes no representation or warranty that such applications will be suitable for the specified use without further testing or modification.

LIFE SUPPORT APPLICATIONS

Philips Semiconductors and Philips Electronics North America Corporation Products are not designed for use in life support appliances, devices, or systems where malfunction of a Philips Semiconductors and Philips Electronics North America Corporation Product can reasonably be expected to result in a personal injury. Philips Semiconductors and Philips Electronics North America Corporation customers using or selling Philips Semiconductors and Philips Electronics North America Corporation Products for use in such applications do so at their own risk and agree to fully indemnify Philips Semiconductors and Philips Electronics North America Corporation for any damages resulting from such improper use or sale.

Philips Semiconductors
811 East Arques Avenue
P.O. Box 3409
Sunnyvale, California 94088-3409
Telephone 800-234-7381

© Copyright Philips Electronics North America Corporation 1997
All rights reserved. Printed in U.S.A.

Let's make things better.