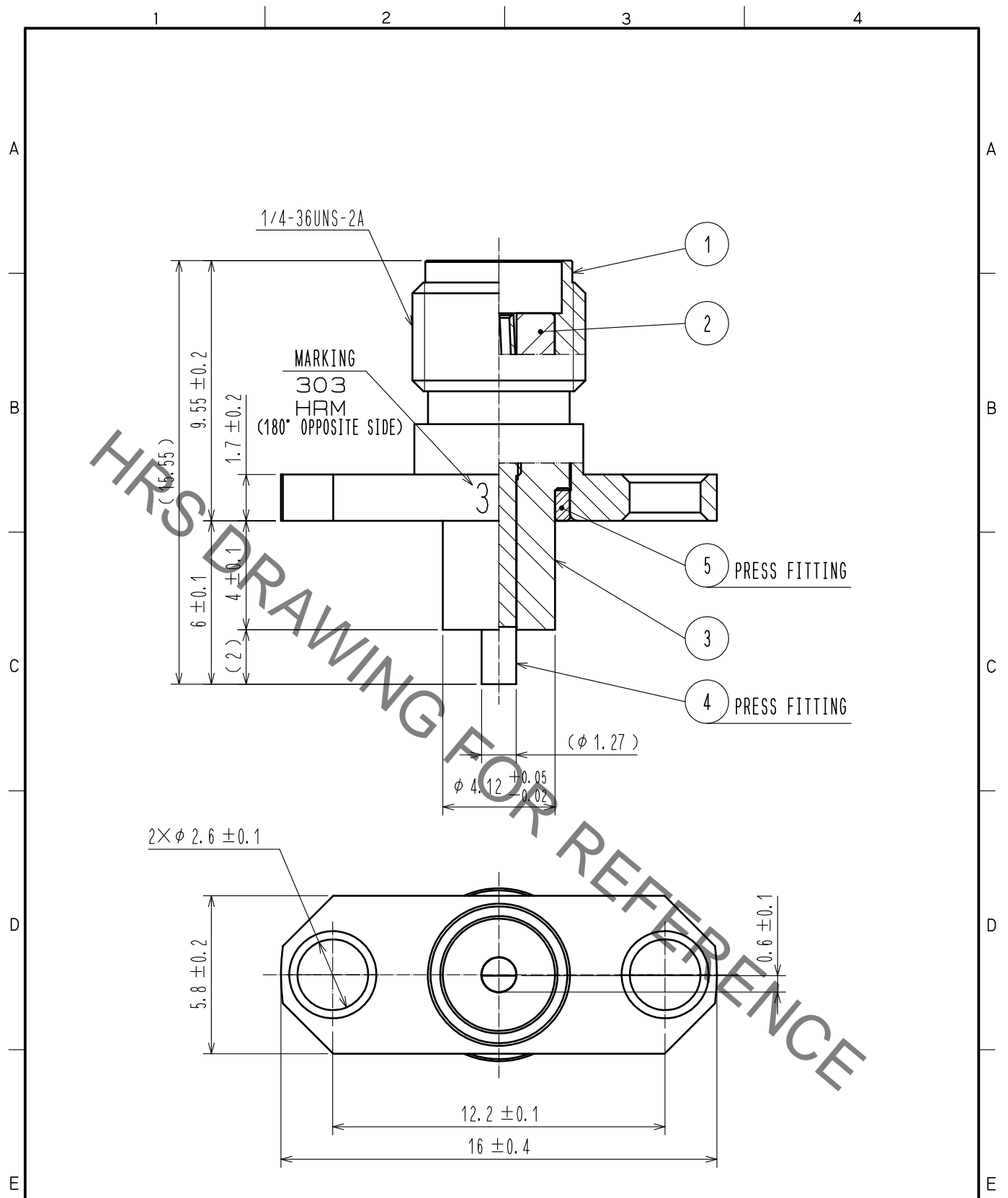


Aug.1.2022 Copyright 2022 HIROSE ELECTRIC CO., LTD. All Rights Reserved.
 In case of consideration for using Automotive equipment / device which demand high reliability, kindly contact our sales window correspondents.



RoHS COMPLIANT

NO.	MATERIAL	FINISH	REMARKS	NO.	MATERIAL	FINISH	REMARKS
3	PTFE			5	STAINLESS STEEL	GOLD PLATING	
2	PTFE			4	BERYLLIUM COPPER	GOLD PLATING	
1	STAINLESS STEEL	GOLD PLATING					

UNITS	SYMBOLS	SCALE	COUNT	DESCRIPTION OF REVISIONS	DESIGNED	CHECKED	DATE
mm		5 : 1					

HIROSE ELECTRIC CO., LTD.	APPROVED : KY. SHIMIZU	16.01.28	DRAWING NO.	EDC-004791-09-00
	CHECKED : TO. KATAYAMA	16.01.28	PART NO.	HRM-303(09)
	DESIGNED : YI. FUNADA	16.01.28	CODE NO.	CL323-0015-6-09
	DRAWN : YI. FUNADA	16.01.28		