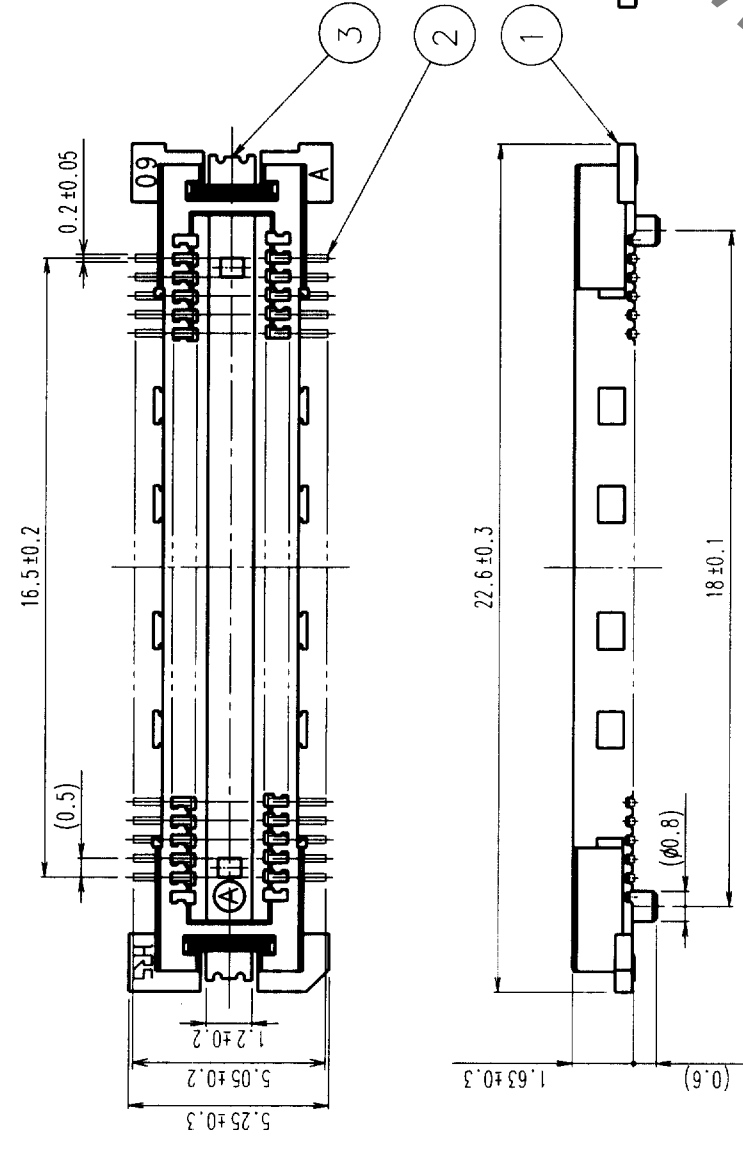
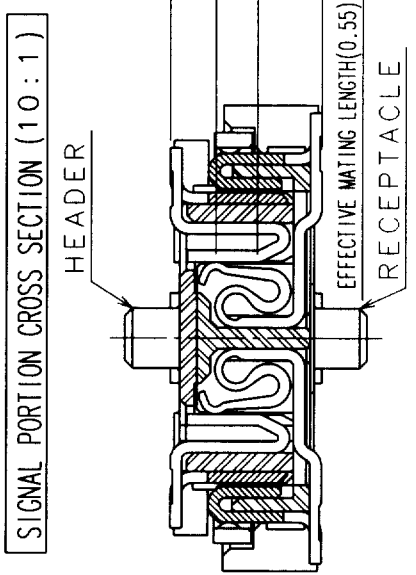
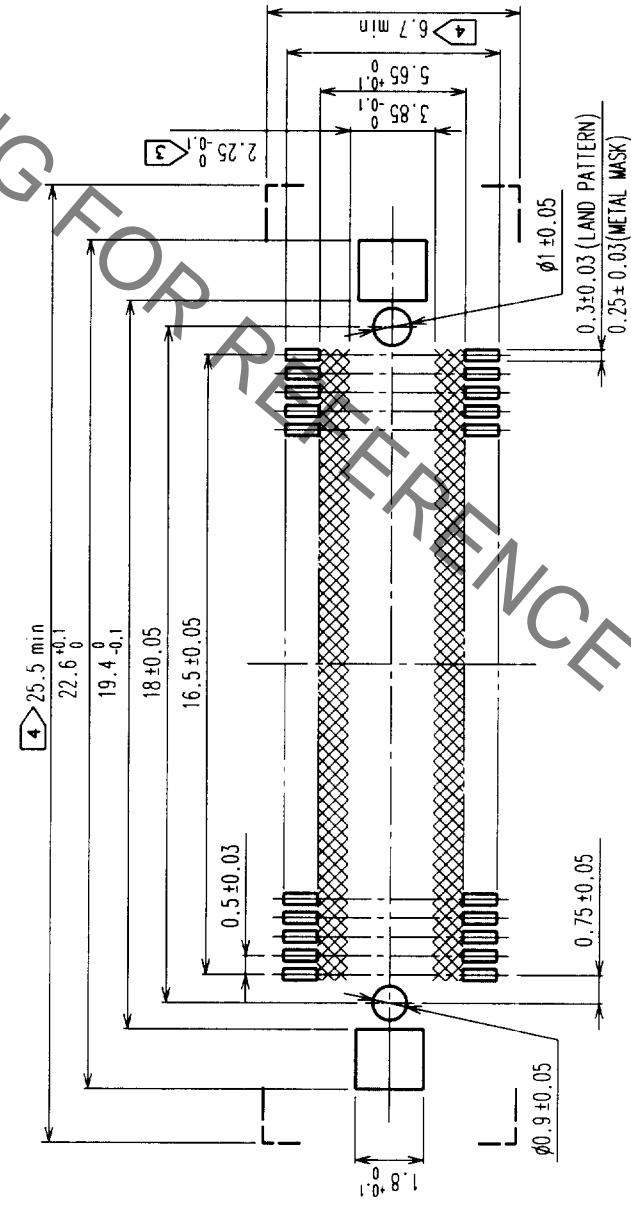


In case of consideration for using Automotive equipment / device which demand high reliability, kindly contact our sales window correspondents.

COUNT	DESCRIPTION OF REVISIONS	BY	CHKD	DATE	COUNT	DESCRIPTION OF REVISIONS	BY	CHKD	DATE
△					△				
△					△				
△					△				



RECOMMENDED LAND PATTERN DIMENSION OF PCB

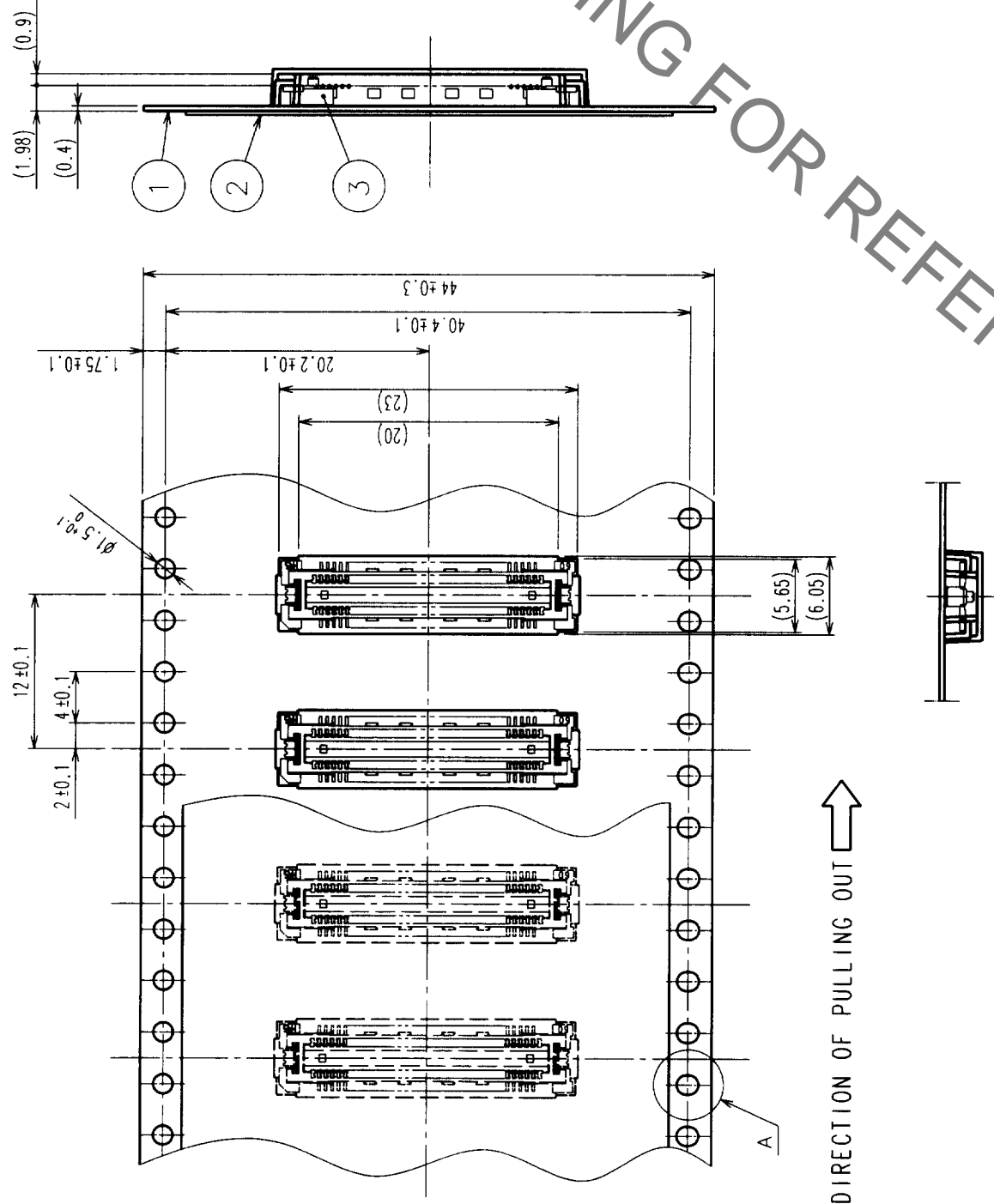


- NOTES 1 SMT LEAD-COPLANARITY: 0.1 MAX.
- 2 THIS PRODUCT HAS NO POLARITY TO PATTERN FOR MOUNTING.
- 3 MAKE SURE WIDTH OF PATTERN IS WITHIN THAT OF LAND AREA, OR LEAD MAY TOUCH PATTERN. (THIS APPLIES TO HATCHED AREA.)
- 4 DO NOT MOUNT OTHER DEVICES ONTO [] AREA, OR MATING PAIR CANNOT BE MATED.
- 5 TO BE EMBOSSED CARRIER TAPED AS SPECIFIED IN SHEET 2.

2	COPPER ALLOY	CONTACT AREA: GOLD (0.1µm) OVER NICKEL
1	LCP	LEAD: GOLD FLASH OVER NICKEL
NO.	MATERIAL	FINISH, REMARKS
	COPPER ALLOY	BEIGE UL94V-0
CODE NO. (OLD)	CL	
DRAWN	DESIGNED	CHECKED
<i>M. Saitoh</i>	<i>M. Saitoh</i>	<i>M. Saitoh</i>
99.10.25	99.10.25	99.10.26
DRAWING NO.		PART NO.
EDC3-152100-01		FX11LA-68P-SV (21)
SCALE	5 : 1	
UNITS	mm	
HRS HIROSE ELECTRIC CO., LTD.		CODE NO.
		CL573-0042-1-21

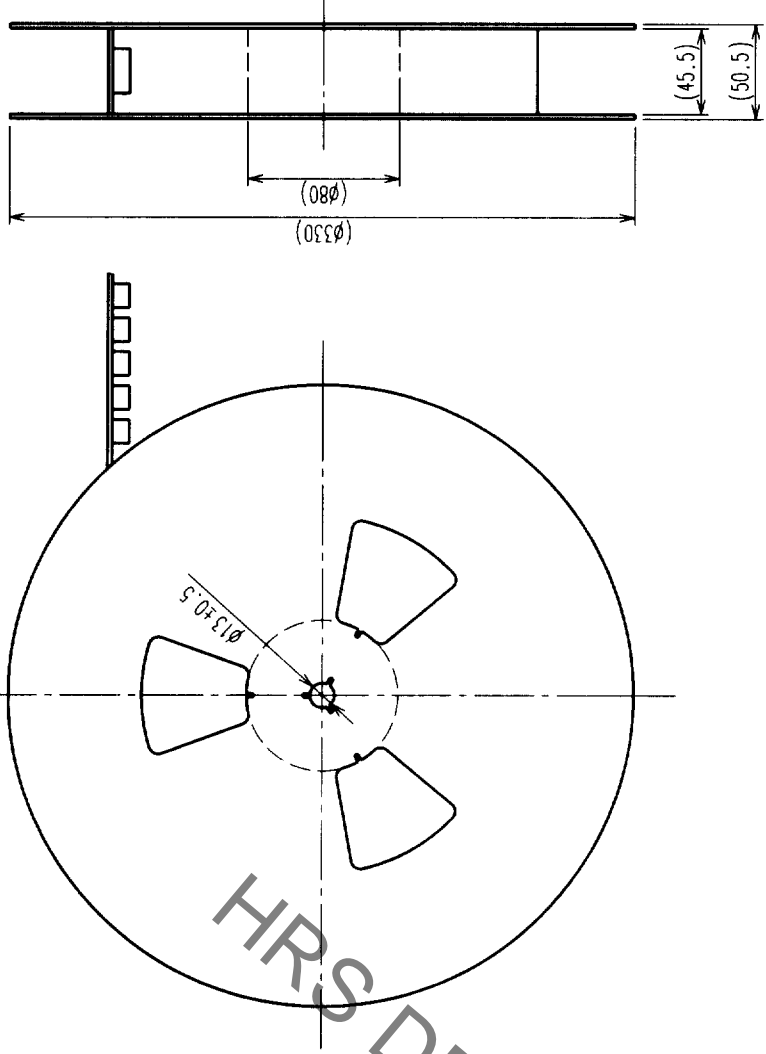
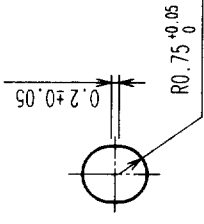
TO	
PCK	

REELED DIMENSION (Free)



THE DIRECTION OF PULLING OUT →

A (5:1)



- NOTES
- 1 REEL: 1000 CONNECTORS.
 - 2 MINIMUM 10 COMPARTMENTS FROM BOTH REEL ENDS REMAIN EMPTY.
 - 3 THIS PRODUCT HAS NO POLARITY TO TAPE AND REEL PACKAGING.

COUNT	DESCRIPTION OF REVISIONS	BY	CHKD	DATE	COUNT	DESCRIPTION OF REVISIONS	BY	CHKD	DATE
△					△				
△					△				
△					△				

2	PET	TOP COVER TAPE	DESIGNED	CHECKED	APPROVED	RELEASED
1	PS	EMBOSSED CARRIER TAPE	3	(CONNECTOR)		
NO.	MATERIAL	FINISH, REMARKS	NO.	MATERIAL	FINISH, REMARKS	
CODE NO. (OLD)	CL		DRAWN			
DRAWING FOR PACKING						
DRAWING NO. EDC3-152100-01			PART NO. FX11LA-68P-SV(21)			
SCALE 2:1			CODE NO. CL573-0042-1-21			
UNITS mm			HIROSE ELECTRIC CO., LTD			

TO	
PCK	