



Solid State Devices, Inc.

14701 Firestone Blvd * La Mirada, Ca 90638
Phone: (562) 404-4474 * Fax: (562) 404-1773
ssdi@ssdi-power.com * www.ssdi-power.com

SDA304A thru SDA304G

10 AMP 50 to 1,000 VOLT STANDARD RECOVERY SINGLE PHASE BRIDGE

Designer's Data Sheet

Part Number/Ordering Information^{1/}

SDA304 — —

 └─ Screening^{2/} — = Not Screened
 TX = TX Level
 TXV = TXV

Peak Inverse Voltage
A = 50V, B = 100V, C = 200V, D = 400V
E = 600V, F = 800V, and G = 1,000V.

- FEATURES:**
- PIV 50 to 1,000 Volts
 - Average Output 10A
 - Reverse Recovery 5µsec Max
 - Avalanche Breakdown
 - Small Size
 - Hermetically Sealed Rectifier
 - Easy PC Mounting
 - Maximum Thermal Resistance 5.0°C/W
 - -55 to +150°C Operating and Storage Temperature
 - Also Available in Fast, Ultra Fast, and Hyper Fast Versions – Contact Factory
 - TX and TXV Screening Available

ELECTRICAL CHARACTERISTICS^{3/}

Part Number	Peak Inverse Voltage (per leg)	Average Rectified Current	Maximum Surge Current (1 Cycle)	Maximum Forward Voltage (per leg)	Maximum Reverse Current (@ PIV)	
Symbol	PIV	I _o	I _{FSM}	V _F ^{4/}	I _R	
Units	Volts	Amps	Amps	Volts	µA	
Conditions	25°C	85°C	25°C	I _F =9A, T _A =25°C	25°C	100°C
SDA304A	50	10	75	1.15	5	100
SDA304B	100	10	75	1.15	5	100
SDA304C	200	10	75	1.15	5	100
SDA304D	400	10	75	1.15	5	100
SDA304E	600	10	75	1.15	5	100
SDA304F	800	10	75	1.15	5	100
SDA304G	1000	10	75	1.15	5	100

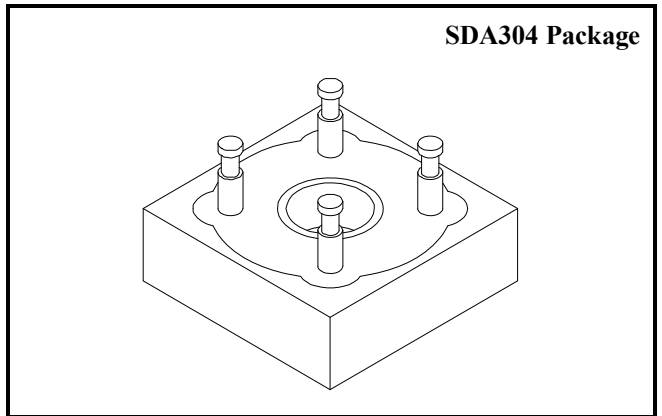
NOTES:

1/ For Ordering Information, Price, Operating Curves and Availability-Contact Factory.

2/ Screening based on MIL-PRF-19500. Screening flows available on request.

3/ Unless Otherwise Specified, All Electrical Characteristics @25°C.

4/ Maximum forward voltage measured with instantaneous forward pulse of 300µsec minimum.



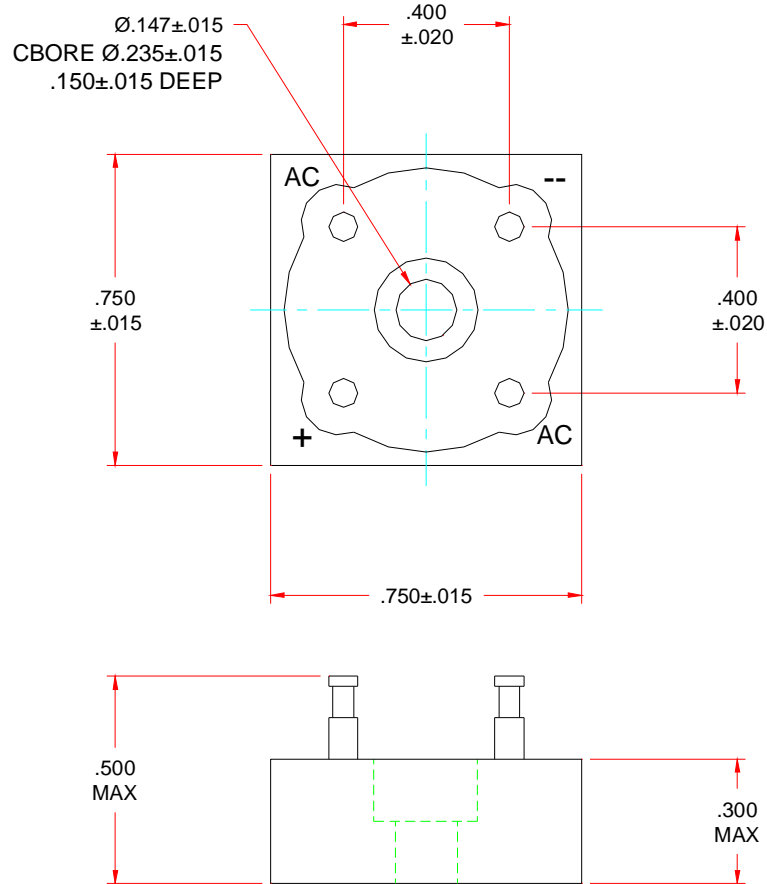


Solid State Devices, Inc.

14701 Firestone Blvd * La Mirada, Ca 90638
Phone: (562) 404-4474 * Fax: (562) 404-1773
ssdi@ssdi-power.com * www.ssdi-power.com

SDA304A thru SDA304G

PACKAGE OUTLINE: SDA304



NOTE: All specifications are subject to change without notification. SCD's for these devices should be reviewed by SSDI prior to release.

DATA SHEET #: RA0011B

DOC