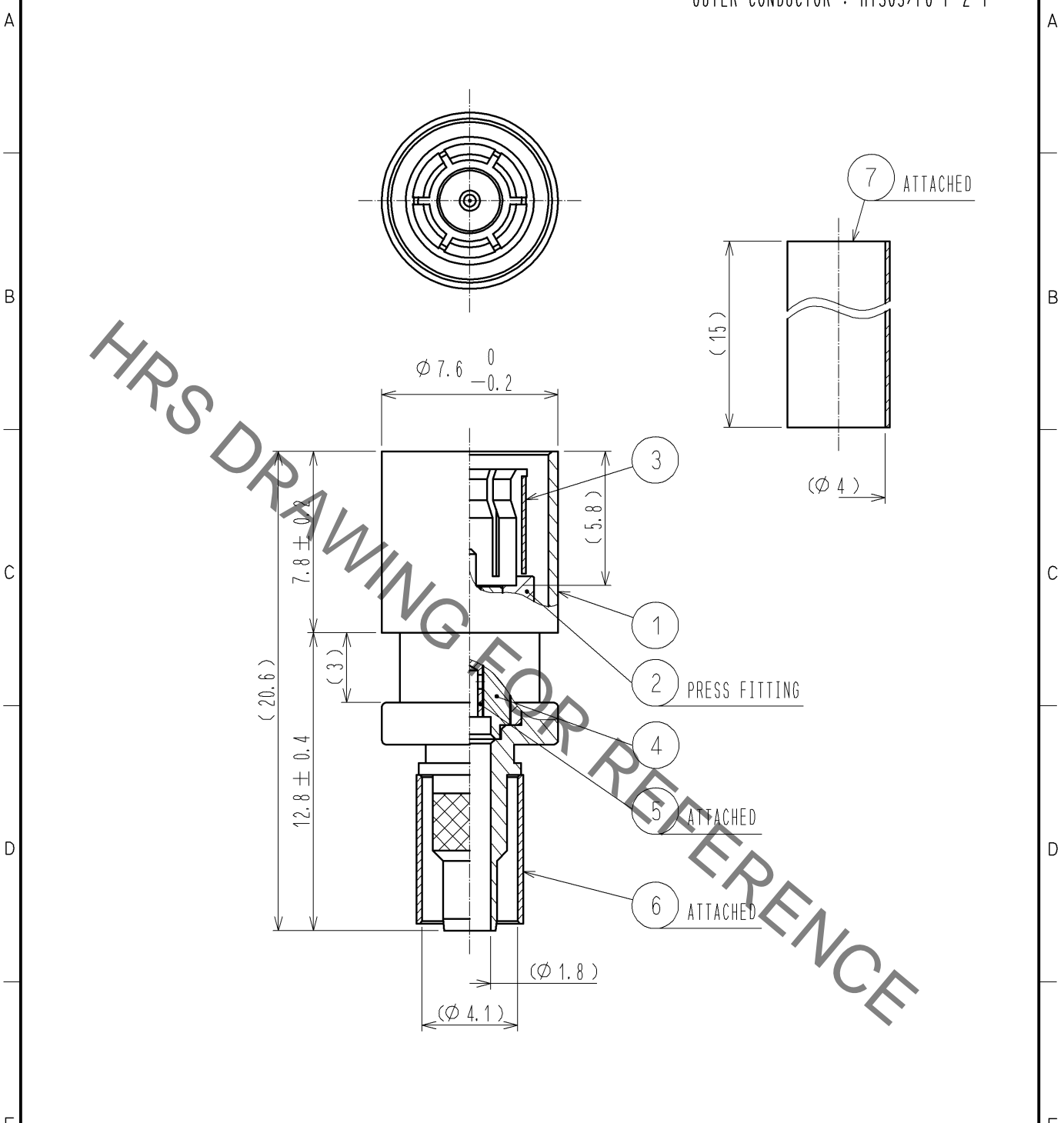


Aug.1.2022 Copyright 2022 HIROSE ELECTRIC CO., LTD. All Rights Reserved.  
In case of consideration for using Automotive equipment / device which demand high reliability, kindly contact our sales window correspondents.

CABLE ASSEMBLY TOOL  
OUTER CONDUCTOR : HT303/P0-P-2-T



RoHS COMPLIANT

4	PTFE			7	POLYOLEFIN	HEAT SHRINK TUBING(BLACK)	
3	BERYLLIUM COPPER	NICKEL PLATING		6	COPPER	NICKEL PLATING	
2	BRASS	NICKEL PLATING		5	BRASS	GOLD PLATING	
1	BRASS	NICKEL PLATING					
NO.	MATERIAL	FINISH	REMARKS	NO.	MATERIAL	FINISH	REMARKS

UNITS mm		SCALE 4 : 1	COUNT 	DESCRIPTION OF REVISIONS	DESIGNED	CHECKED	DATE
-------------	--	----------------	-----------	--------------------------	----------	---------	------

<b>HRS</b> HIROSE ELECTRIC CO., LTD.	APPROVED : TS. NOBE	13. 12. 04	DRAWING NO.	EDC4-047048-40
	CHECKED : NK. NINOMIYA	13. 12. 04	PART NO.	POD1-P-1.5W(40)
	DESIGNED : YI. FUNADA	13. 12. 03	CODE NO.	CL327-0118-4-40
	DRAWN : YI. FUNADA	13. 12. 03		1/1