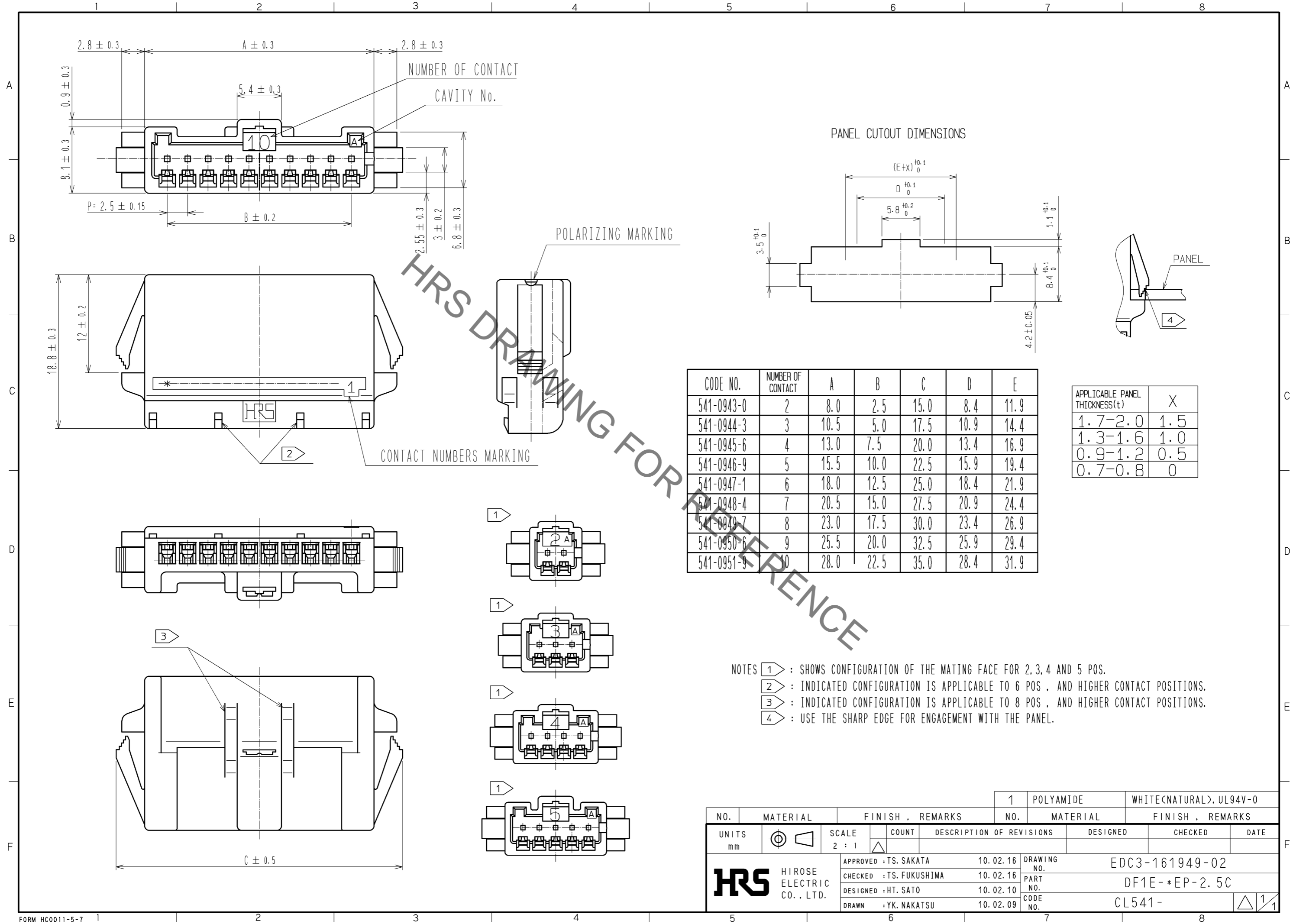


Aug.1.2022 Copyright 2022 HIROSE ELECTRIC CO., LTD. All Rights Reserved.
In case of consideration for using Automotive equipment / device which demand high reliability, kindly contact our sales window correspondents.



CODE NO.	NUMBER OF CONTACT	A	B	C	D	E
541-0943-0	2	8.0	2.5	15.0	8.4	11.9
541-0944-3	3	10.5	5.0	17.5	10.9	14.4
541-0945-6	4	13.0	7.5	20.0	13.4	16.9
541-0946-9	5	15.5	10.0	22.5	15.9	19.4
541-0947-1	6	18.0	12.5	25.0	18.4	21.9
541-0948-4	7	20.5	15.0	27.5	20.9	24.4
541-0949-7	8	23.0	17.5	30.0	23.4	26.9
541-0950-6	9	25.5	20.0	32.5	25.9	29.4
541-0951-9	10	28.0	22.5	35.0	28.4	31.9

APPLICABLE PANEL THICKNESS(t)	X
1.7-2.0	1.5
1.3-1.6	1.0
0.9-1.2	0.5
0.7-0.8	0

- NOTES
- ① : SHOWS CONFIGURATION OF THE MATING FACE FOR 2, 3, 4 AND 5 POS.
 - ② : INDICATED CONFIGURATION IS APPLICABLE TO 6 POS., AND HIGHER CONTACT POSITIONS.
 - ③ : INDICATED CONFIGURATION IS APPLICABLE TO 8 POS., AND HIGHER CONTACT POSITIONS.
 - ④ : USE THE SHARP EDGE FOR ENGAGEMENT WITH THE PANEL.

NO.	MATERIAL	FINISH . REMARKS	NO.	MATERIAL	FINISH . REMARKS
1	POLYAMIDE			WHITE(NATURAL), UL94V-0	

UNITS	SCALE	COUNT	DESCRIPTION OF REVISIONS	DESIGNED	CHECKED	DATE
mm	2 : 1	△				

APPROVED : TS. SAKATA	10.02.16	DRAWING NO.	EDC3-161949-02
CHECKED : TS. FUKUSHIMA	10.02.16	PART NO.	DF1E-*EP-2.5C
DESIGNED : HT. SATO	10.02.10	CODE NO.	CL541-
DRAWN : YK. NAKATSU	10.02.09		