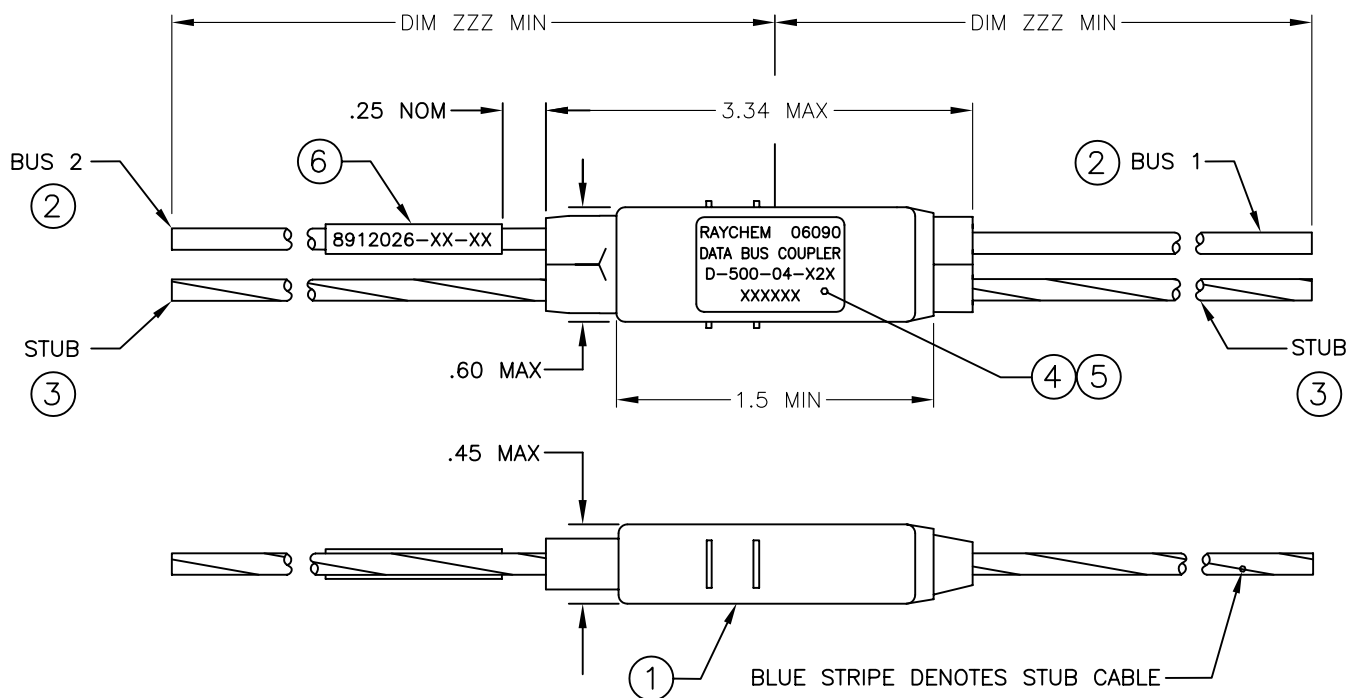


If this document is printed it becomes uncontrolled.
Check for the latest revision.

REVISIONS			
REV	DESCRIPTION	DATE	APPROVED
C	REVISED DWG PER DCR NO. C040853	8/3/04	GMR



COMPONENT NUMBER
 D-500-04-X2X-ZZZ

CABLE CLASS _____
 (LETTERS A THRU E AS DEFINED IN USAF DRAWING NUMBER 8912026)

LENGTH OF CABLE IN INCHES
 REQUIREMENT IS 12 INCHES, MIN PER USAF DRAWING NUMBER 8912026
 (NOTE: IF -ZZZ IS UNSPECIFIED, CABLE LENGTH IS 12 INCHES, MIN)

SPLICE KIT _____
 0 = SPLICE KIT NOT INCLUDED
 3 = SPLICE KIT INCLUDED

SPECIFICATION CONTROL DRAWING

© 2004 Tyco Electronics Corporation. All Rights Reserved.

COMPONENT NO.	DESCRIPTION
1	ENVIRONMENTAL COVER
2	CABLE, BUS
3	CABLE, STUB
4	LABEL
5	PROTECTIVE COVERING, LABEL
6	IDENTIFICATION, TMS

UNLESS OTHERWISE SPECIFIED DIMENSIONS ARE IN INCHES. METRIC DIMENSIONS ARE IN BRACKETS.

DECIMALS
 .XXX ± — { — mm }
 .XX ± — { — mm }

ANGLES
 .X — ± —

WEIGHT
 — g { — lbs }

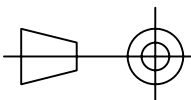
DRAWN	T. RATZLAFF	00NOV14
APPROVED	P. DUTTON	00NOV14

MATERIAL _____

FINISH _____

CAD NAME: C040853A

THIRD ANGLE PROJECTION



tyco Tyco Electronics
Electronics 300 CONSTITUTION DRIVE
 MENLO PARK, CALIFORNIA 94025 USA **Raychem**

TITLE

U.S.A.F. DOUBLE STUB
 MICROCOUPLER, DATABUS

SIZE	CODE IDENT. NO.	DWG. NO.
A	06090	D-500-04-X2X-ZZZ

DO NOT SCALE THIS DRAWING

SHEET 1 OF 2

TABLE 1

DATA BUS COUPLER NUMBER	RAYCHEM CABLE PART NUMBER		SPLICE KIT (INCLUDED) D-150-0708-5	USAF IDENTIFICATION NUMBER (ON TMS)
	BUS CABLE (2X)	STUB CABLE (2X)		
D-500-04-A20	10602-24-9	10602-24-96	NO	8912026-A0-20
D-500-04-A23			YES	8912026-A0-23
D-500-04-B20	10605-22-9	10605-22-96	NO	8912026-B0-20
D-500-04-B23			YES	8912026-B0-23
D-500-04-C20	10612-24-9	10612-24-96	NO	8912026-C0-20
D-500-04-C23			YES	8912026-C0-23
D-500-04-D20	10613-24-9	10613-24-96	NO	8912026-D0-20
D-500-04-D23			YES	8912026-D0-23
D-500-04-E20	10614-24-9	10614-24-96	NO	8912026-E0-20
D-500-04-E23			YES	8912026-E0-23

1.0 MATERIAL AND FINISHES:

1.1 INTERNAL COMPONENTS:

- TRANSFORMER TO MIL-PRF-21038 AND MIL-STD-1553B
- RESISTORS TO PER MIL-PRF-39007/9, 57.6 OHMS

1.2 SHIELDED CASE: ALUMINUM PER ASTM B 618.

1.3 SEALED STRAIN RELIEF COVER: MODIFIED CROSS-LINKED ELASTOMER, BLACK, TO RAYCHEM SPECIFICATION RK-6713.

1.4 CABLE TYPE TO RAYCHEM SPECIFICATION 1200 (SEE TABLE 1).

2.0 APPLICATION:

2.1 THIS COUPLER IS DESIGNED TO BE INSTALLED INTO A DIGITAL MULTIPLEX ASSEMBLY MEETING THE REQUIREMENTS OF MIL-STD-1553B.

2.2 WHEN APPLICABLE, FLEXIBLE SPLICE KIT D-150-0708-5 WILL BE SUPPLIED ALONG WITH THE COUPLER ASSEMBLY.

2.3 CABLE BEND RADIUS PER SAE-AS50881 STATIC BEND: 5 x CABLE O.D. MIN.
DYNAMIC BEND: 10 x CABLE O.D. MIN.

3.0 TEMPERATURE:

3.1 OPERATING TEMPERATURE: -65°C TO +150°C

4.0 PERFORMANCE SPECIFICATIONS:

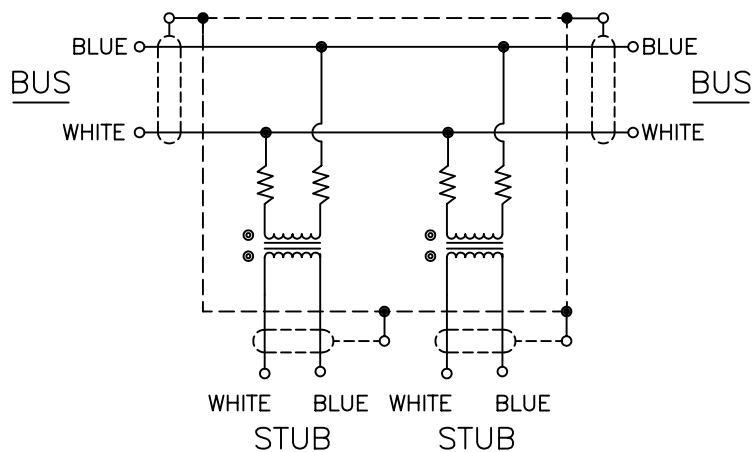
4.1 TRANSFORMER MEETS THE PERFORMANCE REQUIREMENTS OF MIL-STD-1553B AND USAF 8912026.

5.0 WEIGHT:

5.1 MAXIMUM WEIGHT WITHOUT CABLE: 15 GRAMS MAX.

6.0 ORDERING INFORMATION: REFER TO COMPONENT NUMBER.

DOUBLE STUB COUPLER SCHEMATIC



DRAWN T RATZLAFF	DATE 00NOV14	SIZE A	CODE IDENT. NO. 06090	DWG. NO. D-500-04-X2X-ZZZ	REV C
CAD FILE C040853B	tyco Electronics	DO NOT SCALE THIS DRAWING			SHEET 2 OF 2