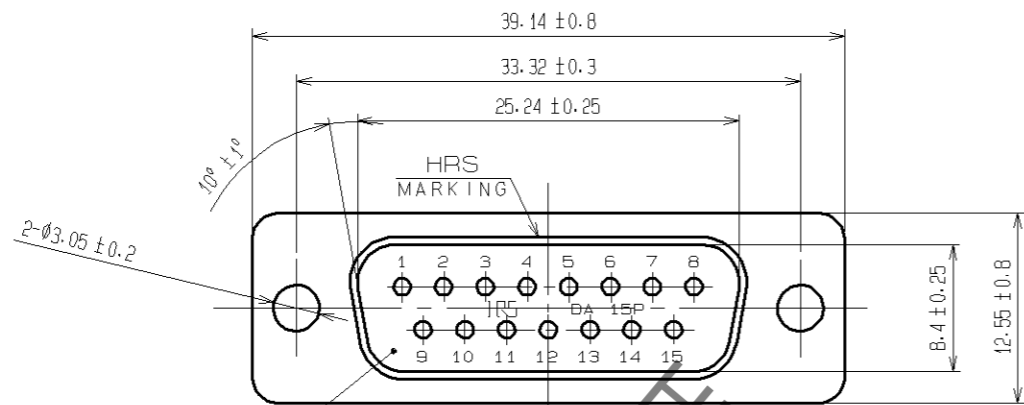
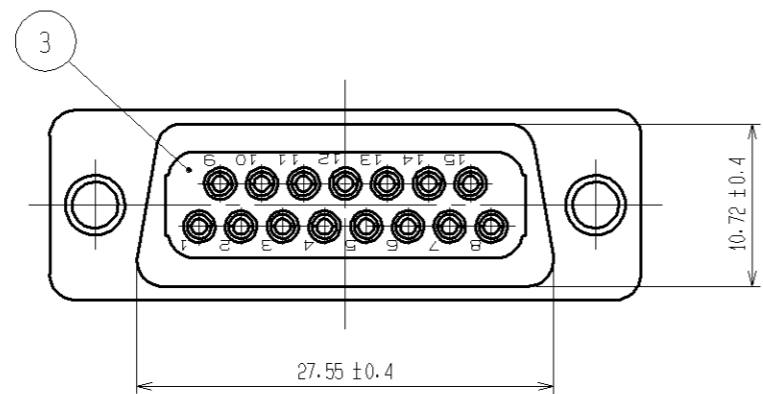
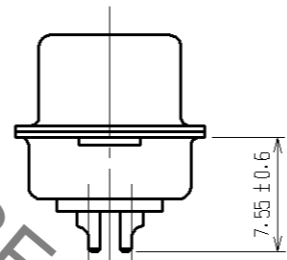
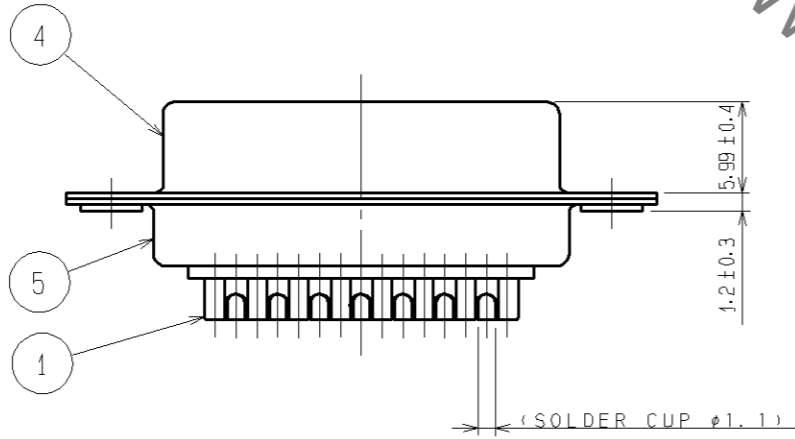
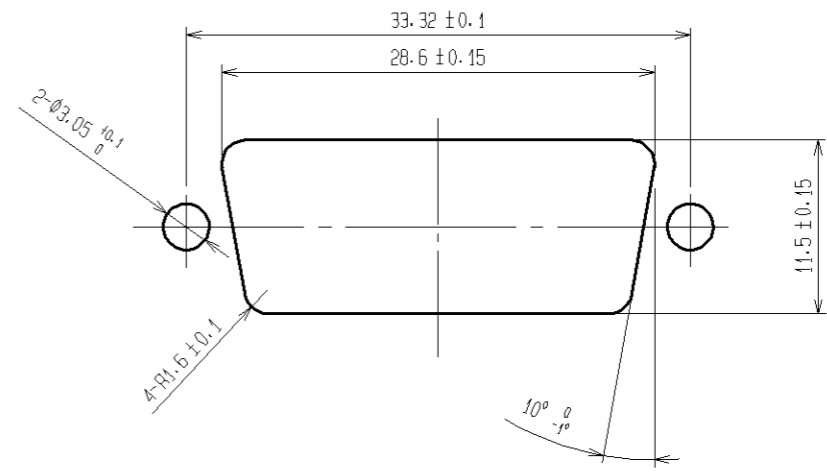


Aug.1.2022 Copyright 2022 HIROSE ELECTRIC CO., LTD. All Rights Reserved.
 In case of consideration for using Automotive equipment / device which demand high reliability, kindly contact our sales window correspondents.



PANEL CUTOUT



HRS DRAWING FOR REFERENCE

NOTE 1. SOLDERING SHALL BE DONE WITH SOLDERING BIT OF 40W MAX.

3	PBT	BLACK (UL94V-0)			
2	PBT	BLACK (UL94V-0)	5	STEEL NICKEL PLATING	
1	PHOSPHOR BRONZE	GOLD PLATING	4	STEEL NICKEL PLATING	
NO.	MATERIAL	FINISH. REMARKS	NO.	MATERIAL	FINISH. REMARKS

UNITS mm		SCALE 2 : 1	COUNT △	DESCRIPTION OF REVISIONS	DESIGNED	CHECKED	DATE
HRS HIROSE ELECTRIC CO., LTD.		APPROVED : HO.MIWA	06.07.13	DRAWING NO.	EDC3-009503-01		
		CHECKED : YH.ENAMI	06.07.12	PART NO.	HDAB-15P(05)		
		DESIGNED : TU.TANIGUCHI	06.07.12	CODE NO.	CL211-0234-1-05		
		DRAWN : MT.ITANO	06.07.12				