



## U74ACT240

CMOS IC

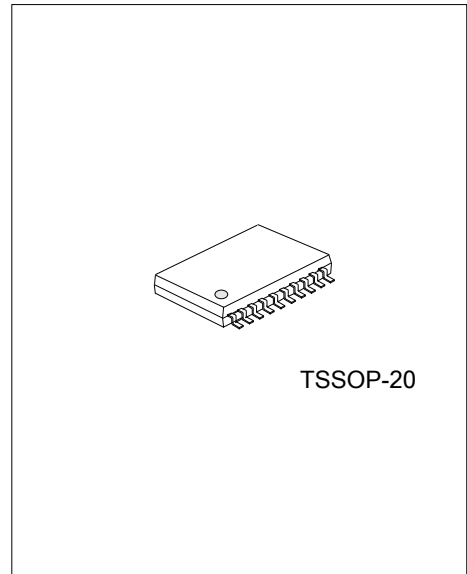
### OCTAL BUFFERS/DRIVERS WITH 3-STATE OUTPUTS

#### DESCRIPTION

The **U74ACT240** is a octal buffers/drivers with 3-state outputs. It is organized as two 4-bit buffers/drivers with separate output-enable ( $\overline{OE}$ ) inputs. When  $\overline{OE}$  is high, the Y outputs are in a high-impedance state, and the outputs neither load nor drive the bus lines. When  $\overline{OE}$  is low, the device passes inverted data from the a inputs to the Y outputs.

The **U74ACT240** is designed to improve the performance and density of 3-state memory address drivers, clock drivers, and bus-oriented receivers and transmitters.

To ensure the high-impedance state during power up or power down,  $\overline{OE}$  should be tied to  $V_{CC}$  through a pull-up resistor; the minimum value of the resistor is determined by the current-sinking capability of the driver.



#### FEATURES

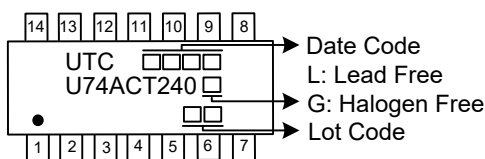
- \* 4.5V to 5.5V  $V_{CC}$  operation
- \* Inputs accept voltages to 5.5V
- \* Max  $t_{pd}$  of 8.5 ns from A to Y at 5V
- \* Low power consumption,  $I_{CC} = 4 \mu A$  (Max.) at 5.5V
- \* TTL compatible
- \*  $\pm 24$  mA output driver at 5.5V

#### ORDERING INFORMATION

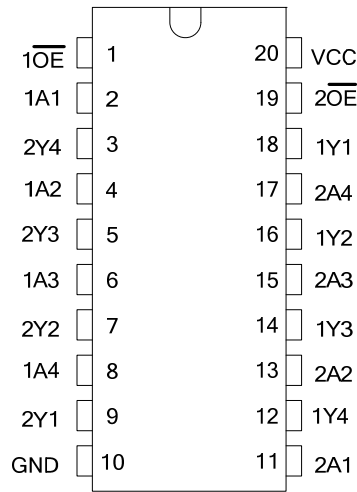
Ordering Number		Package	Packing
Lead Free	Halogen Free		
U74ACT240L-P20-R	U74ACT240G-P20-R	TSSOP-20	Tape Reel
U74ACT240L-P20-T	U74ACT240G-P20-T	TSSOP-20	Tube

<p>U74ACT240G-P20-R</p> <ul style="list-style-type: none"> <li>(1)Packing Type</li> <li>(2)Package Type</li> <li>(3)Green Package</li> </ul>	<ul style="list-style-type: none"> <li>(1) R: Tape Reel, T: Tube</li> <li>(2) P20: TSSOP-20</li> <li>(3) G: Halogen Free and Lead Free, L: Lead Free</li> </ul>
--	---

#### MARKING



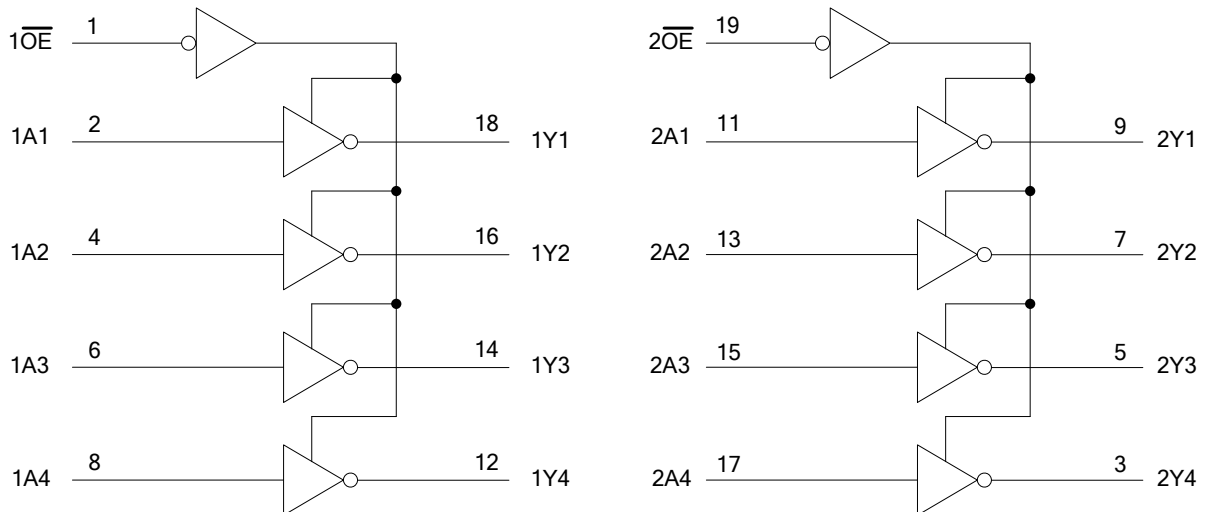
■ PIN CONFIGURATION



■ FUNCTION TABLE (each buffer)

INPUTS		OUTPUT
OE	A	Y
L	H	L
L	L	H
H	X	Z

■ LOGIC SYMBOL (positive logic)



## ■ ABSOLUTE MAXIMUM RATING (Unless otherwise specified)

PARAMETER	SYMBOL	TEST CONDITIONS	UNIT
Supply Voltage	$V_{CC}$	-0.5 ~ 7	V
Input Voltage	$V_{IN}$	-0.5 ~ $V_{CC} + 0.5$	V
Output Voltage	$V_{OUT}$	-0.5 ~ $V_{CC} + 0.5$	V
Input Clamp Current ( $V_{IN} < 0$ , or $V_{IN} > V_{CC}$ )	$I_{IK}$	±20	mA
Output Clamp Current ( $V_{OUT} < 0$ , or $V_{OUT} > V_{CC}$ )	$I_{OK}$	±20	mA
Output Current	$I_{OUT}$	±50	mA
$V_{CC}$ or GND Current	$I_{CC}$	±200	mA
Storage Temperature	$T_{STG}$	-65 ~ +150	°C

Notes: 1. The input and output voltage ratings may be exceeded if the input and output current ratings are observed.  
 2. Absolute maximum ratings are those values beyond which the device could be permanently damaged.  
 Absolute maximum ratings are stress ratings only and functional device operation is not implied.

## ■ RECOMMENDED OPERATING CONDITIONS (Unless otherwise specified)

PARAMETER	SYMBOL	MIN	TYP	MAX	UNIT
Supply Voltage	$V_{CC}$	4.5		5.5	V
High-Level Input Voltage	$V_{IH}$	2			V
Low-Level Input Voltage	$V_{IL}$			0.8	V
Input Voltage	$V_{IN}$	0		$V_{CC}$	V
Output Voltage	$V_{OUT}$	0		$V_{CC}$	V
High-level Output Current	$I_{OH}$			-24	mA
Low-level Output Current	$I_{OL}$			24	mA
Input Transition Rise or Fall Rate	$\Delta t / \Delta V$	0		8	ns/V
Operating Temperature	$T_A$	-40		+125	°C

## ■ THERMAL DATA

PARAMETER	SYMBOL	RATING	UNIT
Junction to Ambient	$\theta_{JA}$	85	°C/W

## ■ ELECTRICAL CHARACTERISTICS (Unless otherwise specified)

PARAMETER	SYMBOL	TEST CONDITIONS	MIN	TYP	MAX	UNIT
High-Level Output Voltage	$V_{OH}$	$V_{CC} = 4.5V, I_{OH} = -50 \mu A$	4.4	4.49		V
		$V_{CC} = 5.5V, I_{OH} = -50 \mu A$	5.4	5.49		
		$V_{CC} = 4.5V, I_{OH} = -24 mA$	3.86			
		$V_{CC} = 5.5V, I_{OH} = -24 mA$	4.86			
Low-Level Output Voltage	$V_{OL}$	$V_{CC} = 4.5V, I_{OL} = 50 \mu A$		0.001	0.1	V
		$V_{CC} = 5.5V, I_{OL} = 50 \mu A$		0.001	0.1	
		$V_{CC} = 4.5V, I_{OL} = 24 mA$			0.36	
		$V_{CC} = 5.5V, I_{OL} = 24 mA$			0.36	
Input Leakage Current (A or $\overline{OE}$ inputs)	$I_{I(LEAK)}$	$V_{IN} = V_{CC}$ or GND, $V_{CC} = 5.5V$			±0.1	μA
High-impedance state Current	$I_{OZ}$	$V_O = V_{CC}$ or GND, $V_{CC} = 5.5V$ $V_{I(OE)} = V_{IL}$ or $V_{IH}$			±0.25	μA
Quiescent Supply Current	$I_{CC}$	$V_{IN} = V_{CC}$ or GND, $I_{OUT} = 0$ , $V_{CC} = 5.5V$			4	μA
Additional quiescent Supply Current	$\Delta I_{CC}$	One input at 3.4V; other inputs at $V_{CC}$ or GND; $V_{CC} = 5.5V$		0.6		mA
Input Capacitance	$C_{IN}$	$V_{IN} = V_{CC}$ or GND, $V_{CC} = 5V$		2.5		pF
Output Capacitance	$C_{OUT}$	$V_{IN} = V_{CC}$ or GND, $V_{CC} = 5V$		8		pF

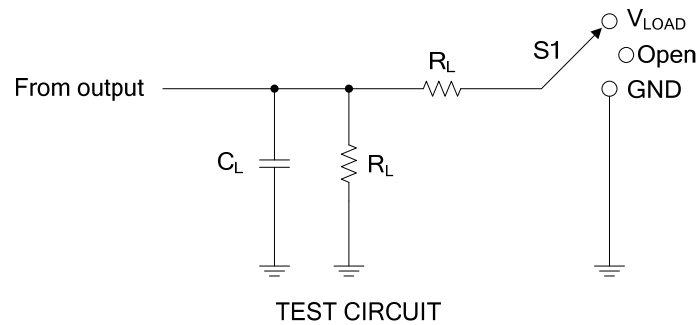
■ SWITCHING CHARACTERISTICS (Unless otherwise specified)

PARAMETER	SYMBOL	TEST CONDITIONS	MIN	TYP	MAX	UNIT
Propagation delay from input A to output Y, $t_{pd}$	$t_{PLH}$	$V_{CC}=5\pm 0.5V, C_L=50pF, R_L=500\Omega$	1.5	6	8.5	ns
	$t_{PHL}$	$V_{CC}=5\pm 0.5V, C_L=50pF, R_L=500\Omega$	1.5	5.5	7.5	
Propagation delay from input $\overline{OE}$ to output Y, $t_{en}$	$t_{PZH}$	$V_{CC}=5\pm 0.5V, C_L=50pF, R_L=500\Omega$	1.5	7	8.5	ns
	$t_{PZL}$	$V_{CC}=5\pm 0.5V, C_L=50pF, R_L=500\Omega$	2	7	9.5	
Propagation delay from input $\overline{OE}$ to output Y, $t_{dis}$	$t_{PHZ}$	$V_{CC}=5\pm 0.5V, C_L=50pF, R_L=500\Omega$	2	8	9.5	ns
	$t_{PLZ}$	$V_{CC}=5\pm 0.5V, C_L=50pF, R_L=500\Omega$	2.5	6.5	10	

■ OPERATING CHARACTERISTICS (Unless otherwise specified)

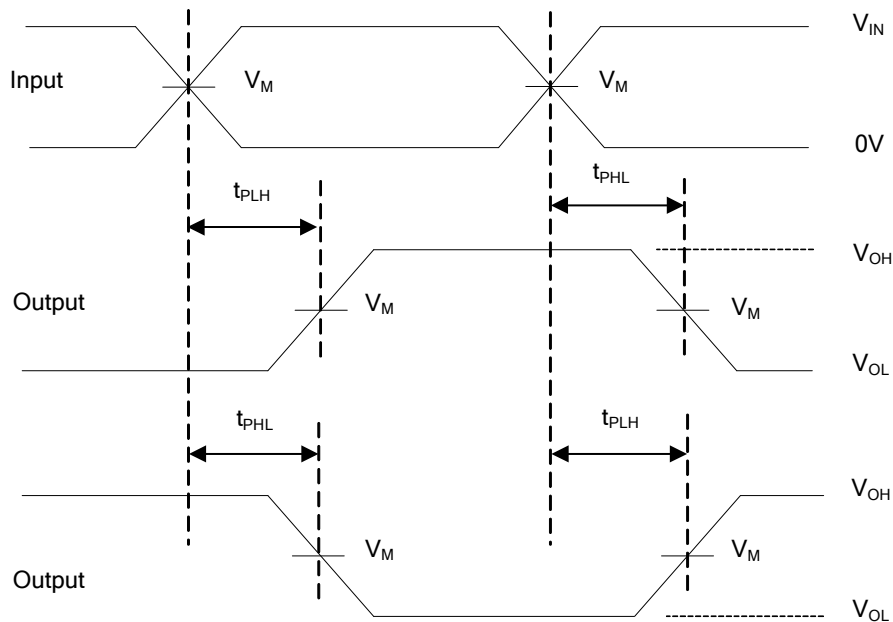
PARAMETER	SYMBOL	TEST CONDITIONS	MIN	TYP	MAX	UNIT
Power dissipation capacitance per buffer/driver	$C_{pd}$	$V_{CC} = 5V, f=1MHz, C_L=50pF$		45		pF

■ TEST CIRCUIT AND WAVEFORMS



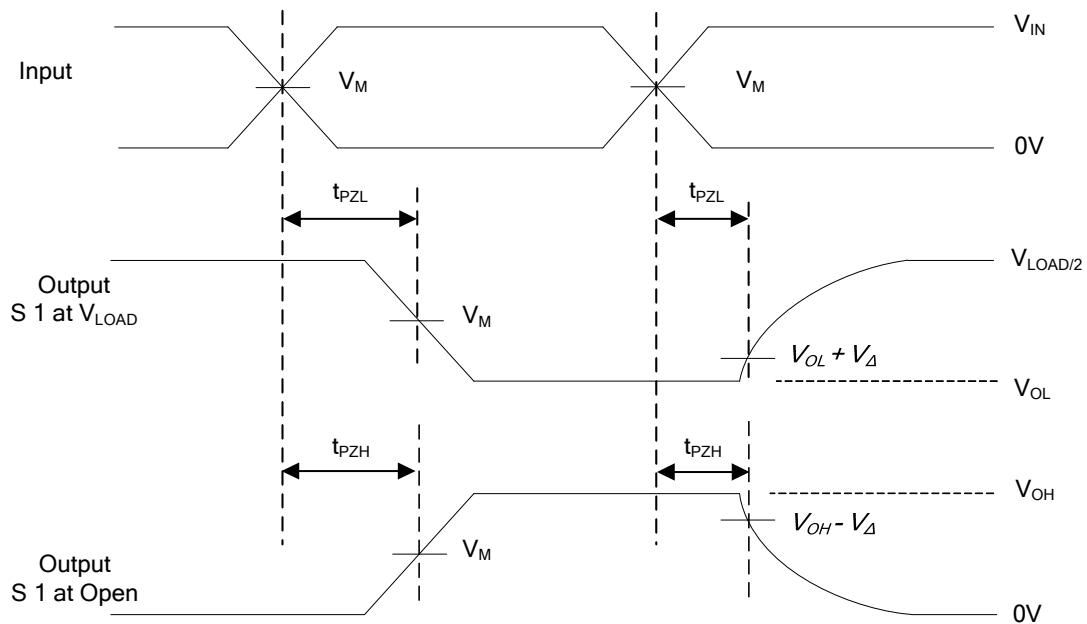
TEST	S1
$t_{PLH}/t_{PHL}$	Open
$t_{PLZ}/t_{PZL}$	$V_{LOAD}$
$t_{PHZ}/t_{PZH}$	Open

$V_{CC}$	Inputs		$V_M$	$V_{LOAD}$	$C_L$	$R_L$	$V_{\Delta}$
	$V_{IN}$	$t_r, t_f$					
$5V \pm 0.5V$	$V_{CC}$	$\leq 2.5ns$	$V_{CC}/2$	$2 * V_{CC}$	50pF	500Ω	$5V \pm 0.5V$
$V_{CC}$	Inputs	$V_M$	$V_{LOAD}$	$C_L$	$R_L$	$V_{\Delta}$	$V_{CC}$



VOLTAGE WAVEFORMS PROPAGATION DELAY TIMES

## ■ TEST CIRCUIT AND WAVEFORMS (Cont.)



VOLTAGE WAVEFORMS ENABLE AND DISABLE TIMES

Notes: 1.  $C_L$  includes probe and jig capacitance.

2. All input pulses are supplied by generators having the following characteristics:  $PRR \leq 1\text{MHz}$ ,  $Z_O = 50\Omega$ .

UTC assumes no responsibility for equipment failures that result from using products at values that exceed, even momentarily, rated values (such as maximum ratings, operating condition ranges, or other parameters) listed in products specifications of any and all UTC products described or contained herein. UTC products are not designed for use in life support appliances, devices or systems where malfunction of these products can be reasonably expected to result in personal injury. Reproduction in whole or in part is prohibited without the prior written consent of the copyright owner. UTC reserves the right to make changes to information published in this document, including without limitation specifications and product descriptions, at any time and without notice. This document supersedes and replaces all information supplied prior to the publication hereof.