

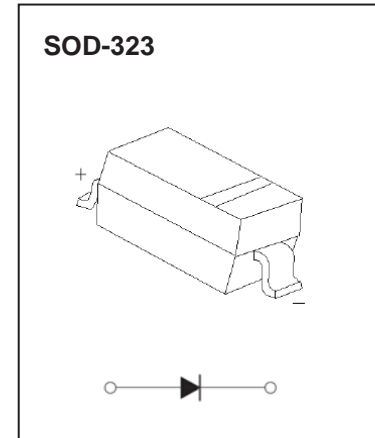
SOD-323 Plastic-Encapsulate Diodes

B5817WS-B5819WS SCHOTTKY BARRIER DIODE

FEATURES

For use in low voltage, high frequency inverters
 Free wheeling, and polarity protection applications.

MARKING: B5817WS: SJ
 B5818WS:SK
 B5819WS: SL



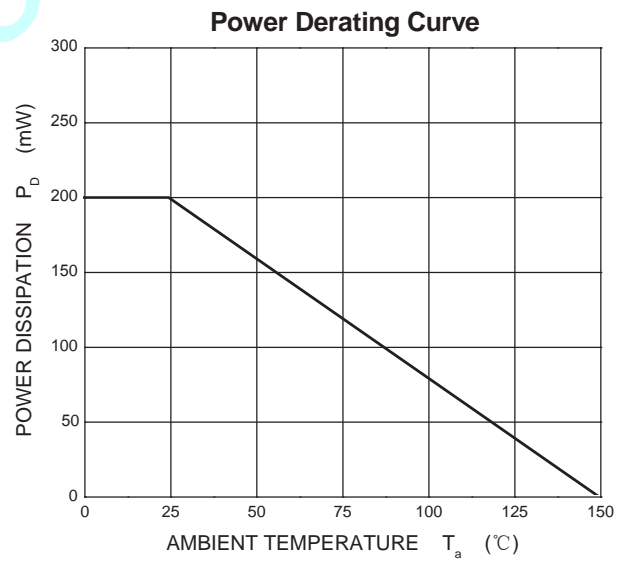
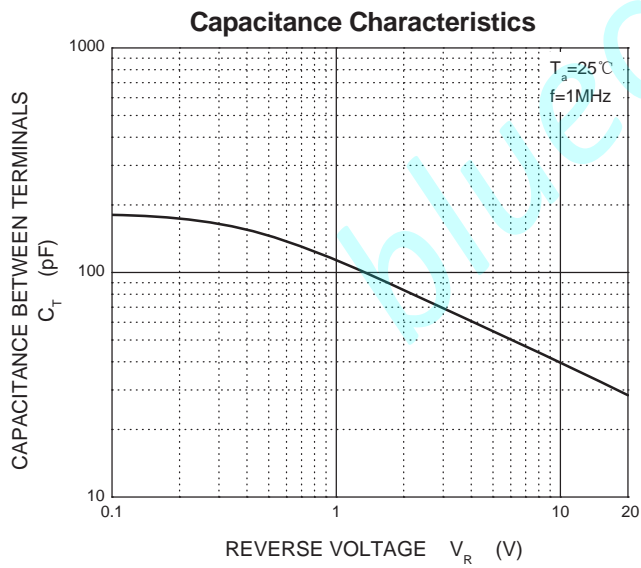
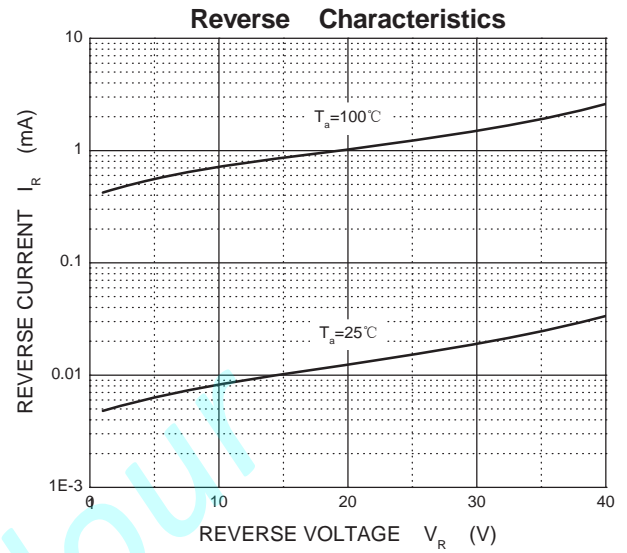
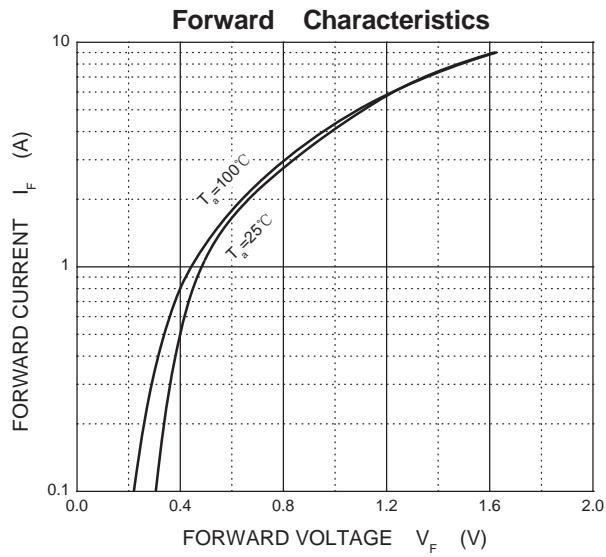
Maximum Ratings and Electrical Characteristics, Single Diode @Ta=25°C

Parameter	Symbol	B5817WS	B5818WS	B5819WS	Unit
Non-Repetitive Peak Reverse Voltage	V_{RM}	20	30	40	V
Peak Repetitive Peak Reverse Voltage Working Peak Reverse Voltage DC Blocking Voltage	V_{RRM} V_{RWM} V_R	20	30	40	V
RMS Reverse Voltage	$V_{R(RMS)}$	14	21	28	V
Average Rectified Output Current	I_O	1			A
Peak Forward Surge Current @t=8.3ms	I_{FSM}	25			A
Repetitive Peak Forward Current	I_{FRM}	1.5			A
Power Dissipation	P_d	200			mW
Thermal Resistance Junction to Ambient	$R_{\theta JA}$	625			°C/W
Storage Temperature	T_{STG}	-55~+150			°C

ELECTRICAL CHARACTERISTICS (Ta=25°C unless otherwise specified)

Parameter	Symbol	Test conditions	Min	Max	Unit
Reverse breakdown voltage	$V_{(BR)}$	$I_R = 1mA$ B5817WS B5818WS B5819WS	20 30 40		V
Reverse voltage leakage current	I_R	$V_R = 20V$ $V_R = 30V$ $V_R = 40V$ B5817WS B5818WS B5819WS		1	mA
Forward voltage	V_F	B5817WS $I_F = 1A$		0.45	V
		$I_F = 3A$		0.75	
		B5818WS $I_F = 1A$		0.55	V
$I_F = 3A$		0.875			
B5819WS $I_F = 1A$		0.6	V		
$I_F = 3A$		0.9			
Diode capacitance	C_D	$V_R = 4V, f = 1MHz$		120	pF

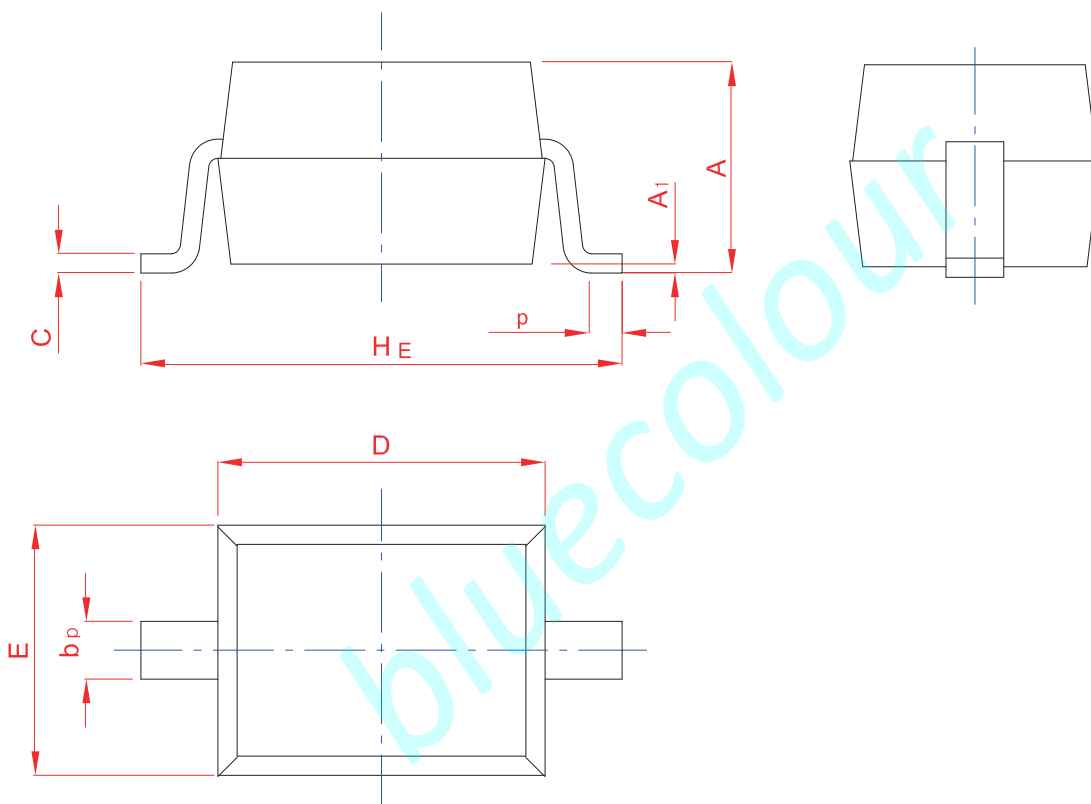
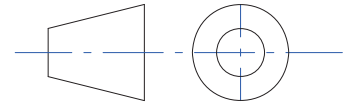
Typical Characteristics



PACKAGE OUTLINE

Plastic surface mounted package; 2 leads

SOD-323



UNIT	A	b _p	C	D	E	H _E	A ₁	L _p
mm	1.20	0.40	0.15	1.80	1.35	2.80	0.10	0.50
	0.90	0.25	0.10	1.60	1.15	2.30	0.01	0.20

DISCLAIMER

- Before you use our Products, you are requested to carefully read this document and fully understand its contents. BLUECOLOUR shall not be in any way responsible or liable for failure, malfunction or accident arising from the use of any BLUECOLOUR's Products against warning, caution or note contained in this document.
- All information contained in this document is current as of the issuing date and subject to change without any prior notice. Before purchasing or using BLUECOLOUR's Products, please confirm the latest information with a BLUECOLOUR sales representative.

bluecolour