

## Heavy Industry & General Purpose Pressure Sensor



### Performance

Pressure range(FS) .....	1000~10000 psi
Excitation .....	5~15V
Impedance.....	5000±1000Ω
FSO, Typical(@5V) .....	130mV
Zero offset(@25°C) .....	±10mV/V
Nonlinearity(BFSL).....	±0.2% FS
Stability(typical) .....	±0.1% FS/year
Pressure hysteresis .....	±0.05% FS
Thermal hysteresis .....	±0.1% FS

### Environmental

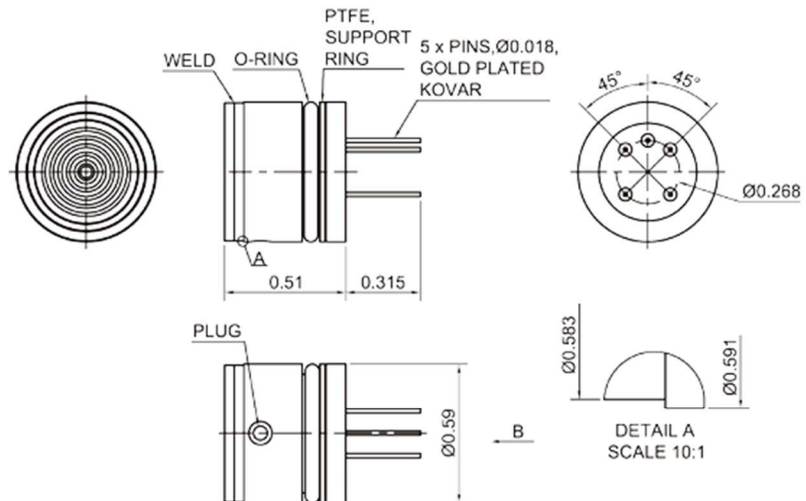
Compensated temperature .....	0 to 50°C
Operate temperature .....	-40 to 150°C
Temperature zero shift.....	±25uV/V/°C
Temperature resistance shift.....	<3300PPM/°C
Temperature sensitivity shift.....	-2000±500PPM/°C
Burst pressure .....	>3 * FS
Wetted parts .....	#316 SS & Viton
Media .....	#316 SS compatible
Housing .....	#316 SS
Connector .....	5 Pins
Pressure port .....	O-ring Seal
Pressure cycles .....	5 million FS cycles

### Features

- Absolute or sealed gauge
- High cost performance
- Excellent Stability
- O-ring Seal / Weld
- Analog output
- Compensation values supplied

### Application

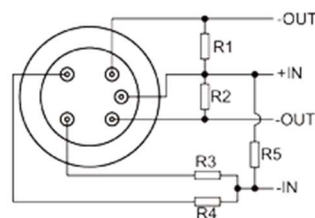
- Process Automation & Control
- Test and Measurement
- Pressure transmitters
- Heavy industry
- Hydraulic Systems



### Ordering Information

P1401-5G

Pressure range:  
 1=0~1000psi  
 3=0~3000psi  
 5=0~5000psi  
 10=0~10000psi  
 A=Absolute  
 G=Gauge



R1, R2, R3, R4 & R5 are compensation resistors.  
 B (Electric Connection)