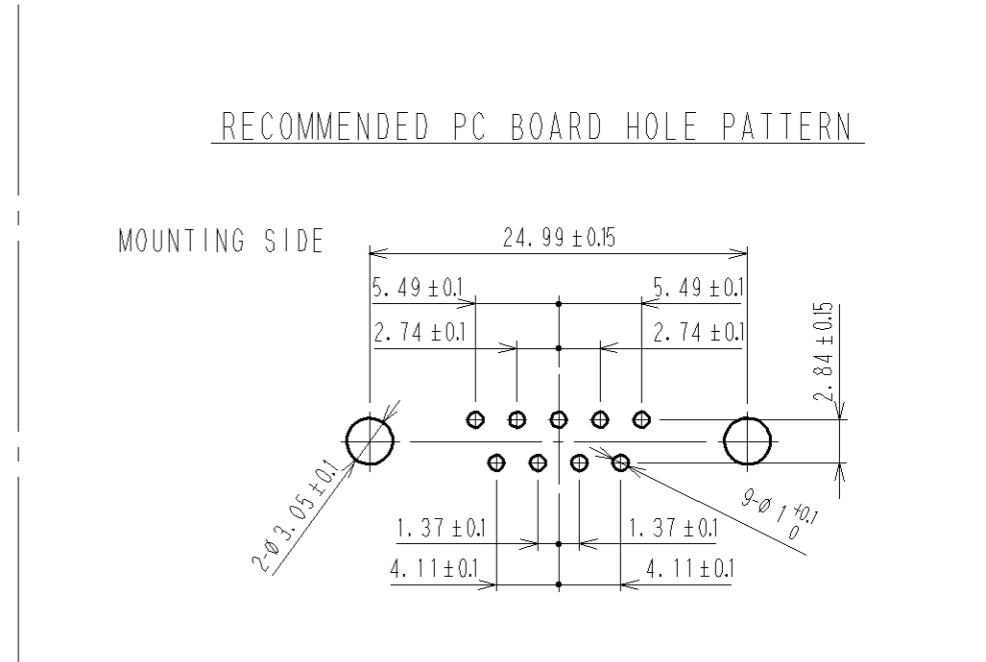
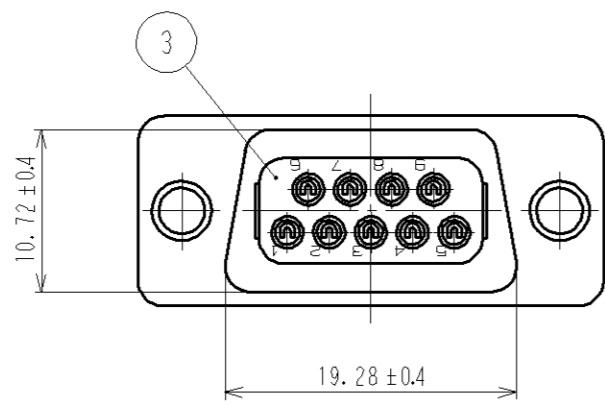
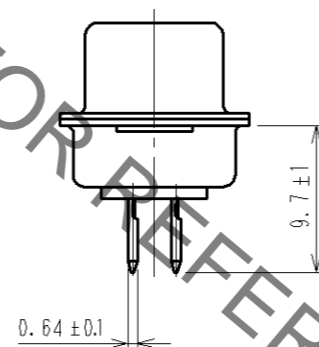
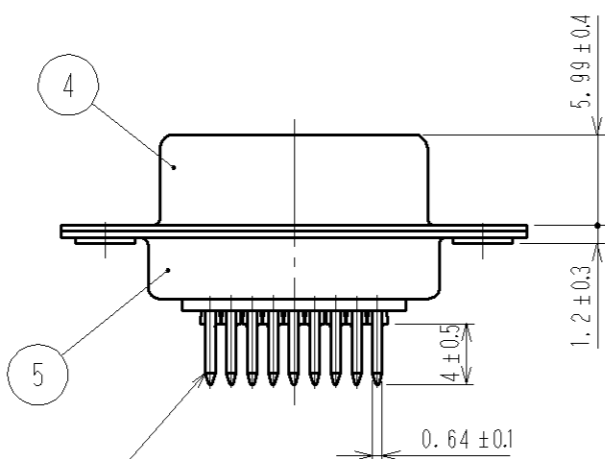
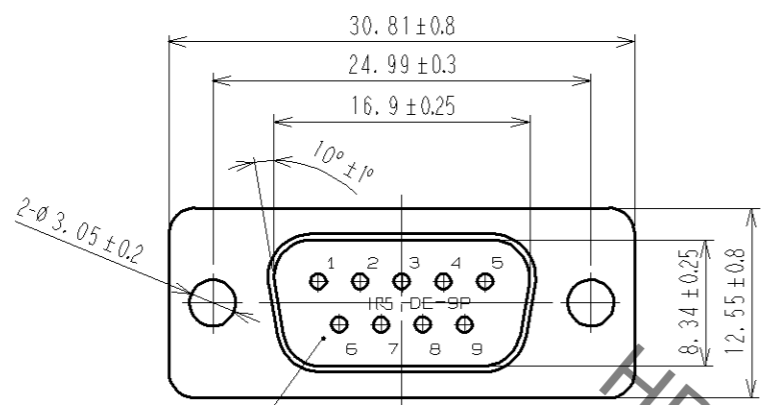


Jul.1.2022 Copyright 2022 HIROSE ELECTRIC CO., LTD. All Rights Reserved.
 In case of consideration for using Automotive equipment / device which demand high reliability, kindly contact our sales window correspondents.



HRS DRAWING FOR REFERENCE

3	PBT	UL94V-0	BLACK			
2	PBT	UL94V-0	BLACK	5	STEEL	NICKEL PLATING
1	PHOSPHOR BRONZE		SELECTIVE GOLD PLATING	4	STEEL	NICKEL PLATING
NO.	MATERIAL	FINISH. REMARKS		NO.	MATERIAL	FINISH. REMARKS
UNITS	mm	SCALE	2 : 1	COUNT	DESCRIPTION OF REVISIONS	
		APPROVED :	HO.MIWA	06.07.07	DESIGNED	DATE
		CHECKED :	HO.MIWA	06.07.07	DRAWING NO. EDC3-009834-02	
		DESIGNED :	SJ.SHIMIZU	06.07.06	PART NO. SDEB-9P(55)	
		DRAWN :	SJ.SHIMIZU	06.07.06	CODE NO. CL211-0247-3-55	