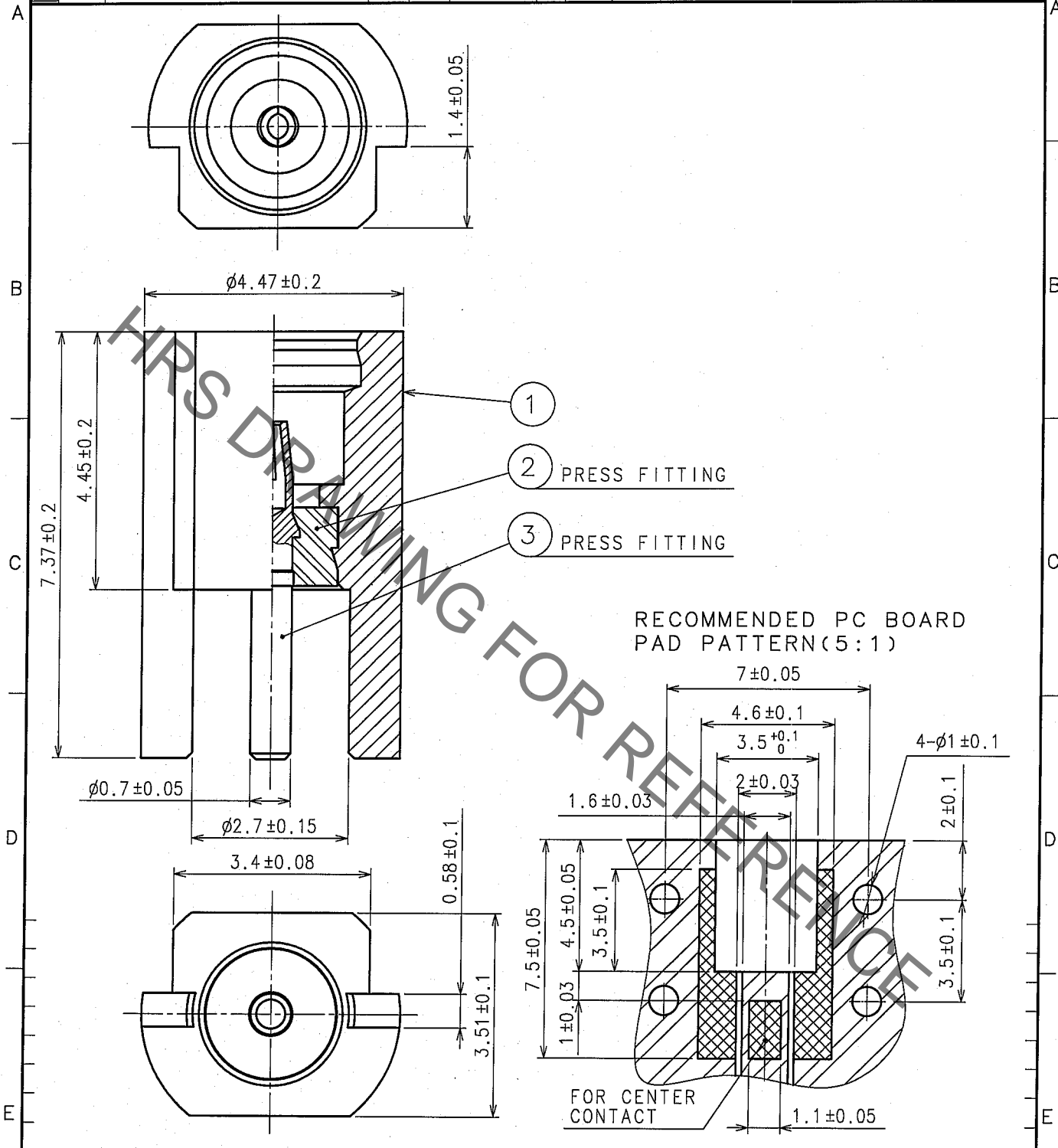


Aug.1.2022 Copyright 2022 HIROSE ELECTRIC CO., LTD. All Rights Reserved.
 In case of consideration for using Automotive equipment / device which demand high reliability, kindly contact our sales window correspondents.

1					2					3					4				
COUNT	DESCRIPTION OF REVISIONS				BY	CHKD	DATE	COUNT	DESCRIPTION OF REVISIONS				BY	CHKD	DATE				
△							..	△							..				
△							..	△							..				
△							..	△							..				



2	PTFE				
1	BRASS	GOLD PLATING	3	BERYLLIUM COPPER	GOLD PLATING
NO.	MATERIAL	FINISH, REMARKS	NO.	MATERIAL	FINISH, REMARKS

CODE NO. (OLD) CL	DRAWN	DESIGNED	CHECKED	APPROVED	RELEASED
RoHS COMPLIANT	<i>m. Haneko</i>	<i>T. Katayama</i>	<i>H. Shimizu</i>	<i>S. Mitani</i>	
	05.9.1	05.9.5	05.9.3	05.9.5	

 SCALE 10:1 UNITS mm	DRAWING NO. EDC4-133936-40 HRS HIROSE ELECTRIC CO., LTD.	PART NO. MMCX-LR-SMT(40) CODE NO. CL339-0003-2-40	1/1
----------------------------------	---	--	-----

