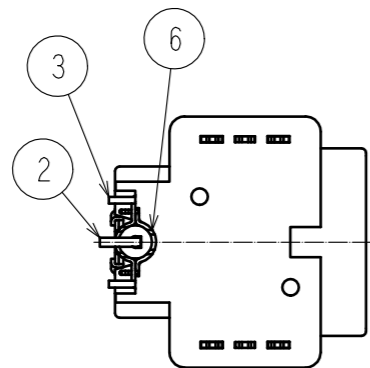
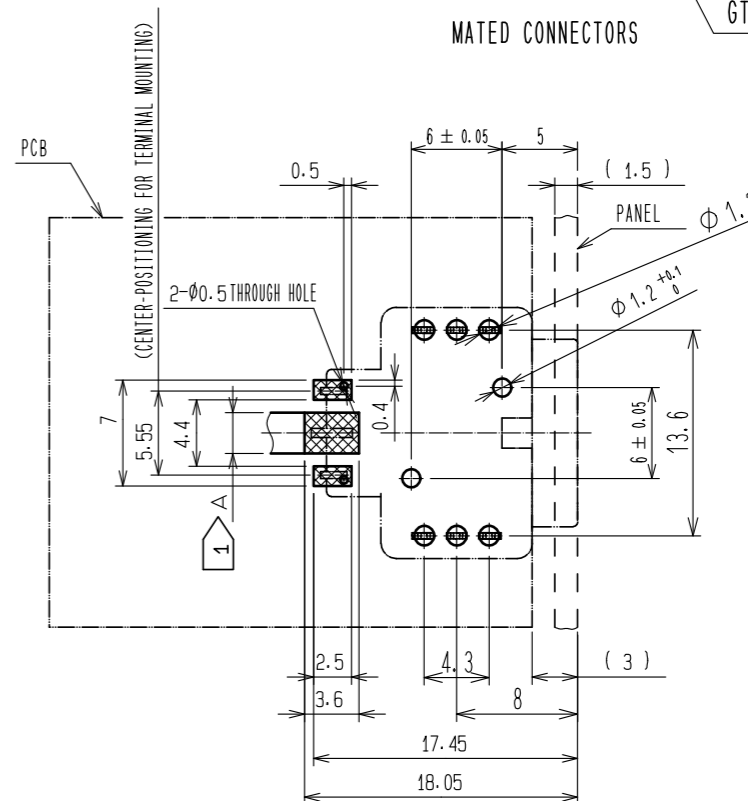
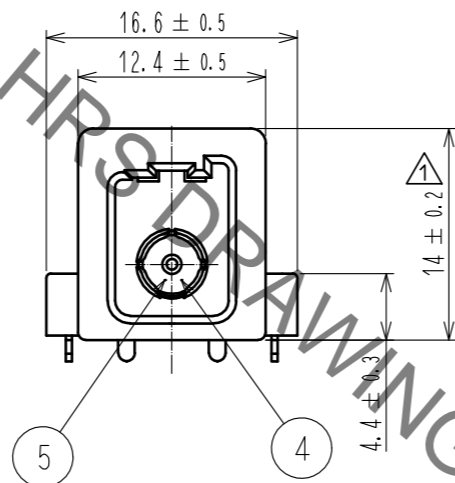
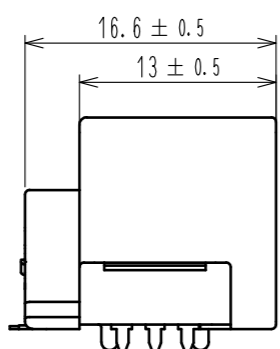
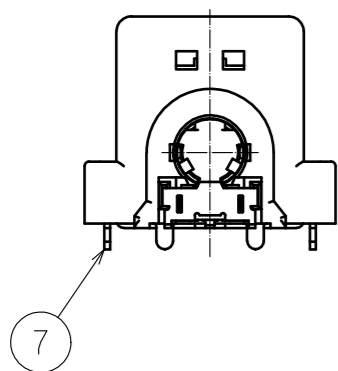
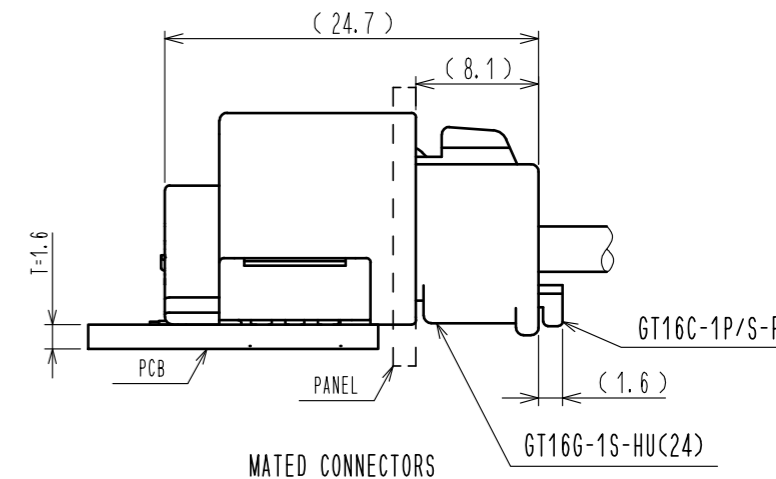
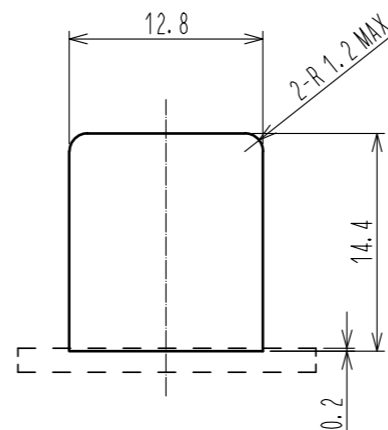
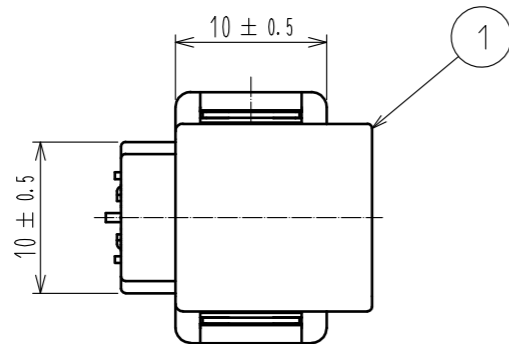
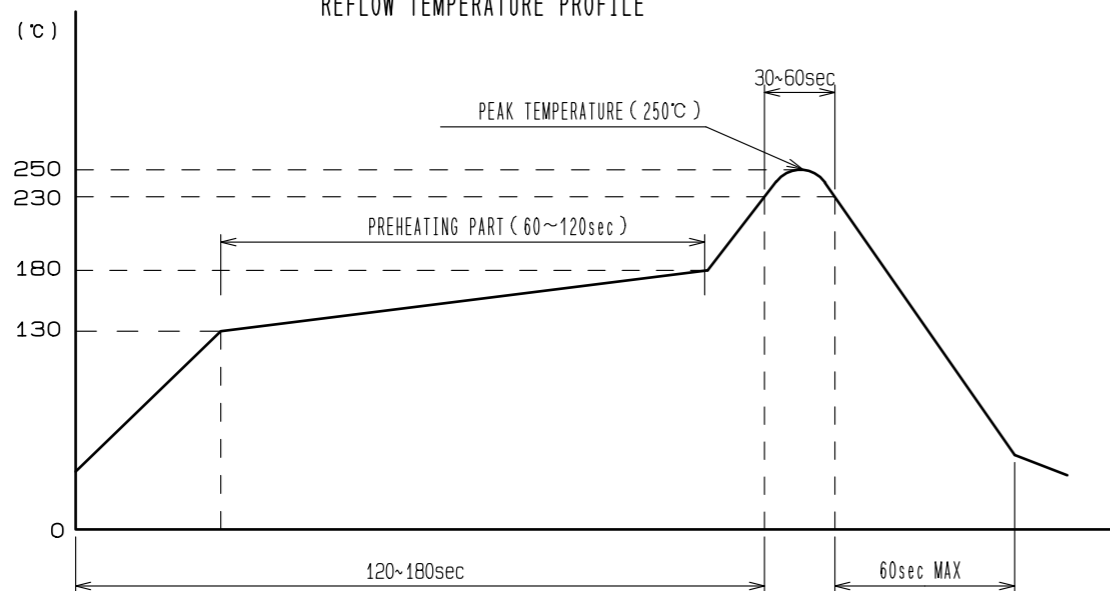


Aug.1.2022 Copyright 2022 HIROSE ELECTRIC CO., LTD. All Rights Reserved.  
 In case of consideration for using Automotive equipment / device which demand high reliability, kindly contact our sales window correspondents.

ELV. RoHS COMPLIANT



REFLOW TEMPERATURE PROFILE

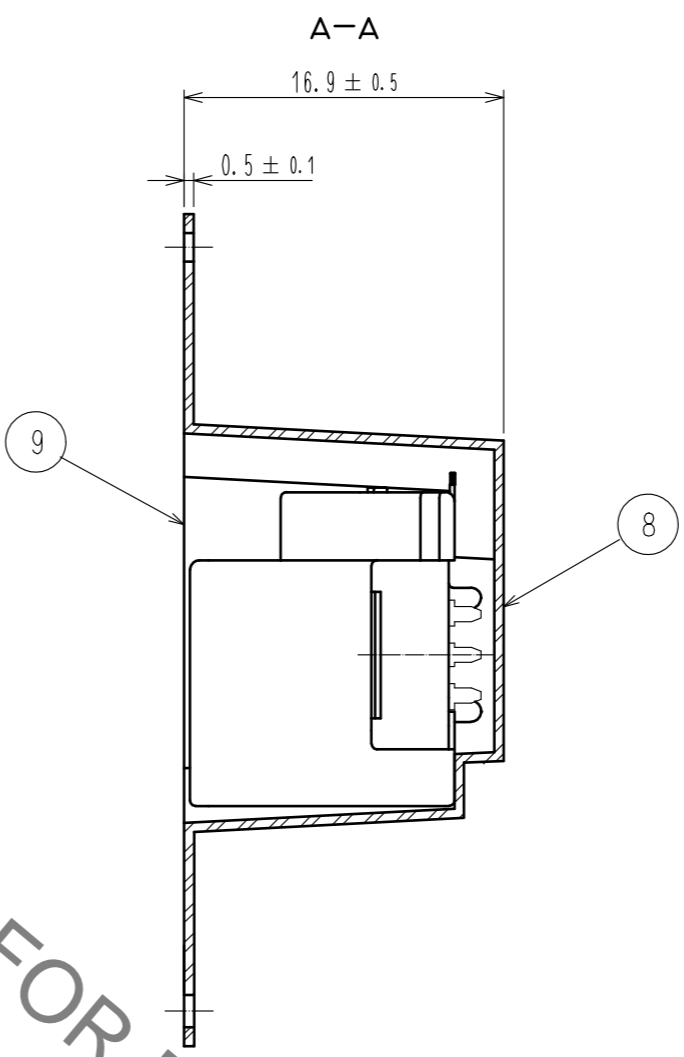
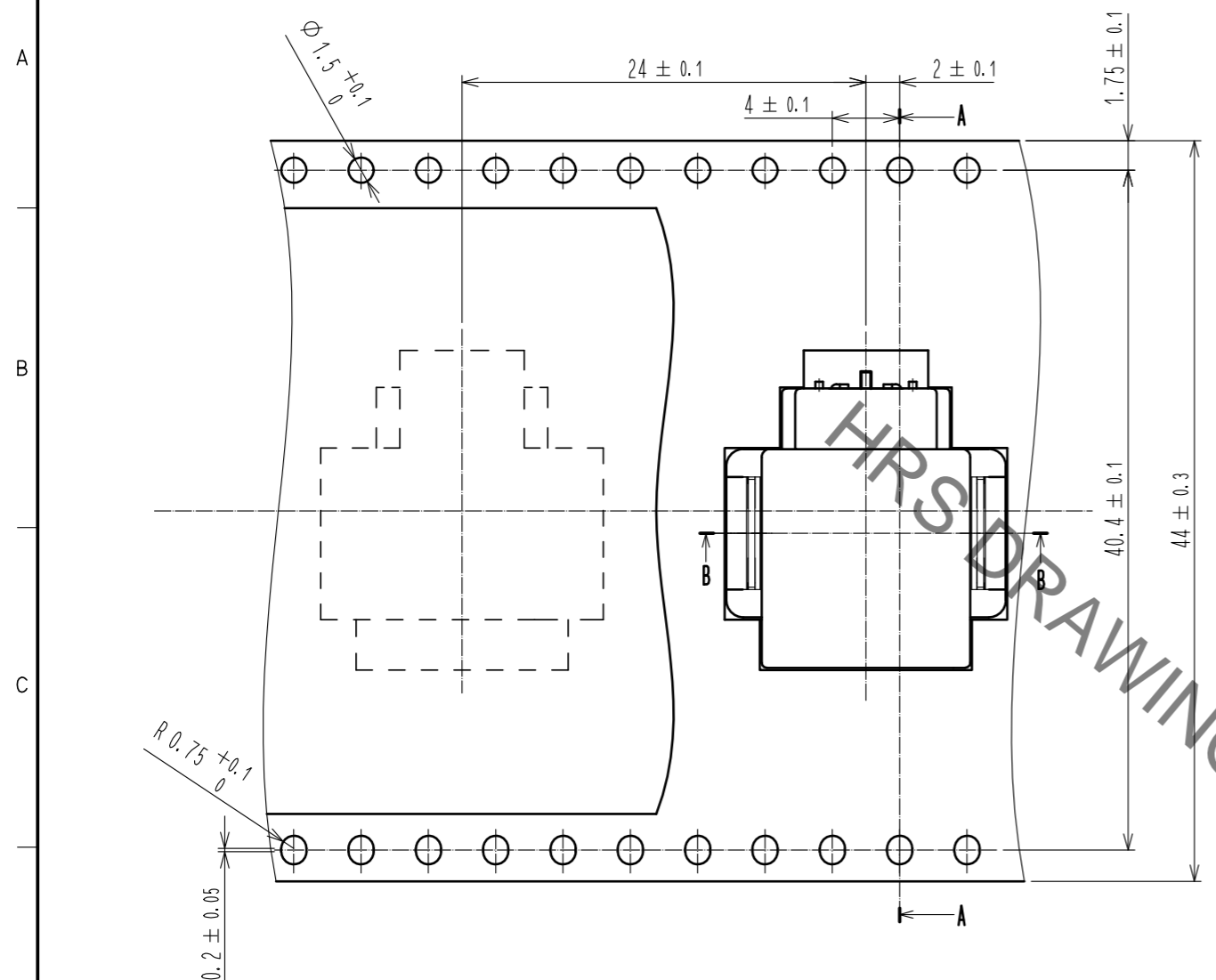


- NOTE 1. A MUST BE TAKEN TO OBTAIN IMPEDANCE CHARACTERISTIC OF 50Ω.  
 2. THE RECOMMENDED REFLOW TEMPERATURE PROFILE IS AS FIGURE.  
 3. LEAD CO-PLANALITY INCLUDE REINFORCED FITTINGS SHALL BE 0.15mm MAX.

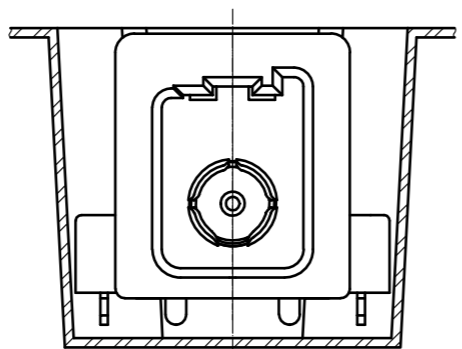
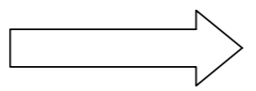
5	PPS	NATURAL			
4	PPS	NATURAL	9	PET	COVER TAPE
3	PHOSPHOR BRONZE	TIN PLATED	8	PS	EMBOSSED CARRIER TAPE
2	PHOSPHOR BRONZE	TIN PLATED	7	BRASS	TIN PLATED
1	PPS	BLACK	6	PHOSPHOR BRONZE	TIN PLATED
NO.	MATERIAL	FINISH . REMARKS	NO.	MATERIAL	FINISH . REMARKS
UNITS	mm	SCALE	2 : 1	COUNT	1
DESCRIPTION OF REVISIONS			DESIGNED	CHECKED	DATE
DIS-T-00004013			AM. YAMAUCHI	MO. OKADA	20181113
APPROVED : KI. HIROKAWA 20171122			DRAWING NO. EDC-363706-00-00		
CHECKED : KT. MAKI 20171122			PART NO. GT16GH-1P-H		
DESIGNED : AM. YAMAUCHI 20171121			CODE NO. CL766-0118-0-00		
DRAWN : YP. SHEN 20171121			1/2		

Aug.1.2022 Copyright 2022 HIROSE ELECTRIC CO., LTD. All Rights Reserved.  
 In case of consideration for using Automotive equipment / device which demand high reliability, kindly contact our sales window correspondents.

DRAWING FOR PACKAGING

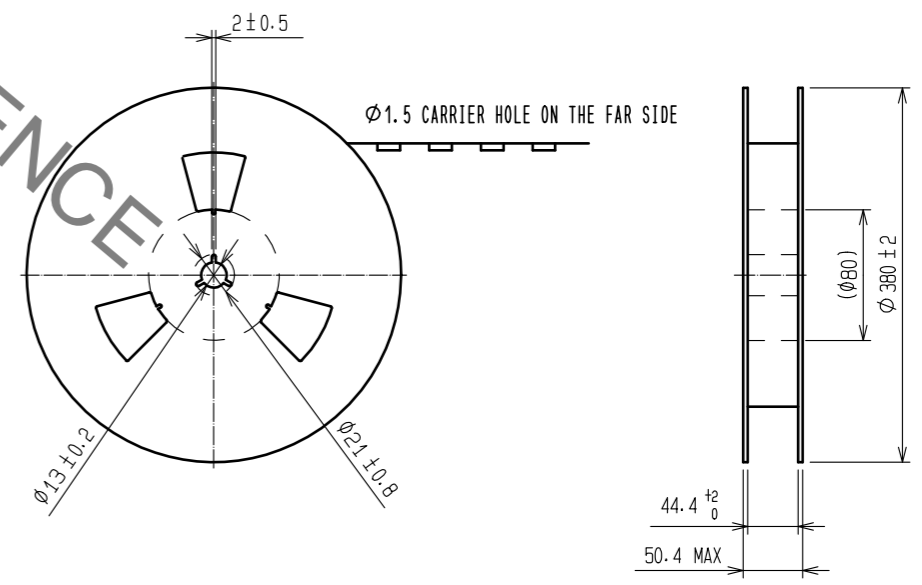


DIRECTION OF UNREELING



B-B

REEL DIMENSIONS (FREE)



NOTE 1. NUMBER OF PRODUCTS: 200 pcs/REEL

<b>HRS</b>	DRAWING NO.	EDC-363706-00-00
	PART NO.	GT16GH-1P-H
	CODE NO.	CL766-0118-0-00
		2/2