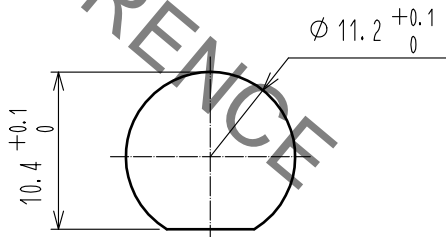
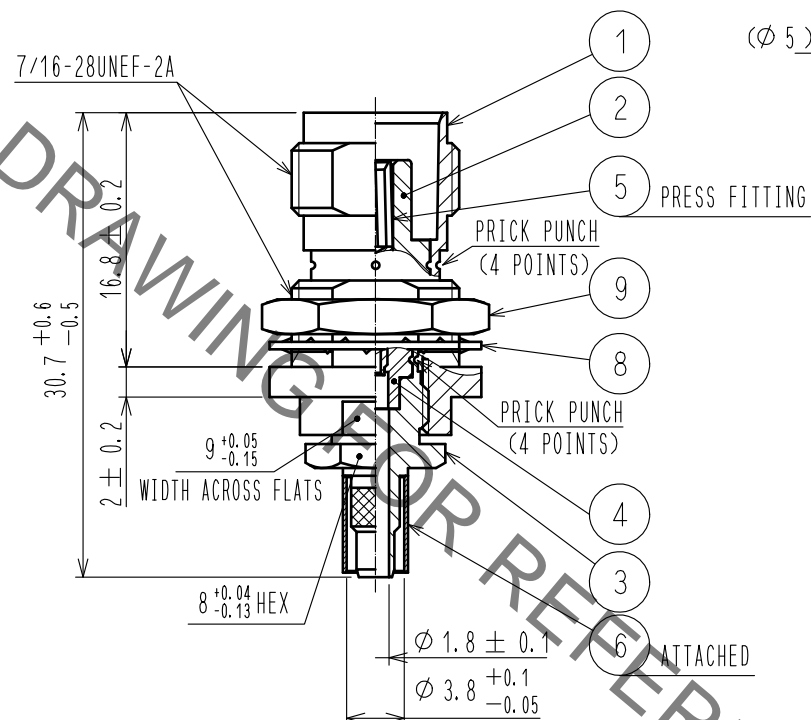
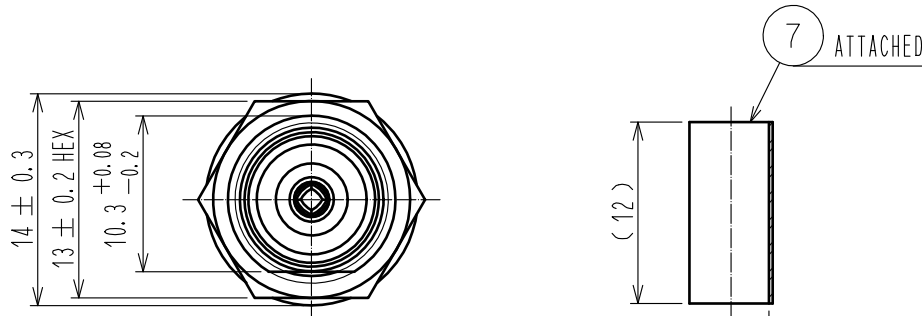


Aug.1.2022 Copyright 2022 HIROSE ELECTRIC CO., LTD. All Rights Reserved.
In case of consideration for using Automotive equipment / device which demand high reliability, kindly contact our sales window correspondents.

CABLE ASSEMBLY TOOL OUTER CONDUCTOR:UM.MSS-T-1 (1.5 HOLE)



PANEL CUTOUT
PANEL THICKNESS 1.2~1.9 mm

RoHS COMPLIANT

5	BERYLLIUM COPPER	SILVER PLATING					
4	PTFE		9	BRASS	NICKEL PLATING		
3	BRASS	NICKEL PLATING	8	PHOSPHOR BRONZE	NICKEL PLATING		
2	PTFE		7	POLYOLEFIN	HEAT SHRINK TUBING(BLACK)		
1	BRASS	NICKEL PLATING	6	COPPER	NICKEL PLATING		
NO.	MATERIAL	FINISH .	REMARKS	NO.	MATERIAL	FINISH .	REMARKS

UNITS mm		SCALE 2 : 1	COUNT 	DESCRIPTION OF REVISIONS	DESIGNED	CHECKED	DATE
HIROSE ELECTRIC CO., LTD.				APPROVED : KY. SHIMIZU 16.02.15 CHECKED : TO. KATAYAMA 16.02.15 DESIGNED : YI. FUNADA 16.02.15 DRAWN : YI. FUNADA 16.02.15	DRAWING NO. EDC-041149-40-00 PART NO. TNC-BPJ-1.5CR(A)<40> CODE NO. CL313-0304-6-40	1/1	