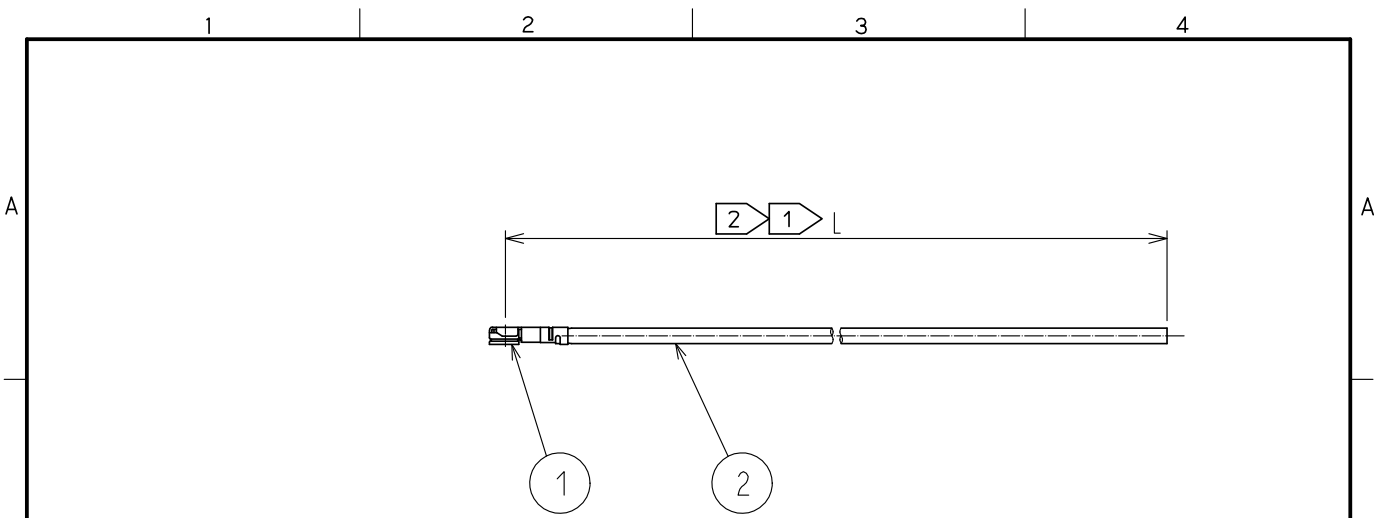


Jul.1.2022 Copyright 2022 HIROSE ELECTRIC CO., LTD. All Rights Reserved.  
 In case of consideration for using Automotive equipment / device which demand high reliability, kindly contact our sales window correspondents.



Part No.	Cable color
~04*1TV~	WHITE
~04*2TV~	BLACK

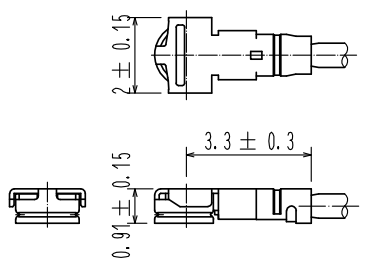
NOTE 1 We indicate the length of the harness on the last of product name. 'L' part.

2 Tolerance for [ L ]

Length L [mm]	Tolerance [mm]
$35 \leq L \leq 200$	$\pm 4$
$200 < L \leq 500$	$\pm 8$
$500 < L \leq 1000$	$\pm 12$
$1000 < L$	$\pm 1.5\%$

3. Specifications are subject to change without notice.

【 DIMENSIONS OF CONNECTOR 】



1	W.FL2-LP-040HF(06)	CL331-0311-3-06	2	0.81 Dia. coaxial cable
NO.	PART NO.	CODE NO.	NO.	PART NO.

HALOGEN FREE

UNITS mm	SCALE FREE	COUNT	DESCRIPTION OF REVISIONS	DESIGNED	CHECKED	DATE
<b>HIROSE ELECTRIC CO., LTD.</b>	APPROVED	•TS. NOBE	18.06.19	DRAWING NO.		
	CHECKED	•MT. KANEKO	18.06.19	PART NO. WFL2-LPHF6-04**TV-A-L		
	DESIGNED	•MS. MATSUMOTO	18.06.19	CODE NO.		
	DRAWN	•MS. MATSUMOTO	18.06.19	1/1		