

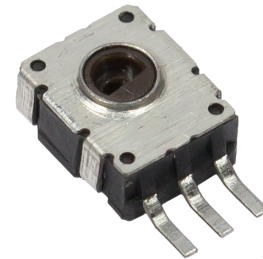
# Rotary Position Sensor

## PHS04 Series



### Features:

- Angle/Position sensor with more than a 300,000 life cycle
- Small footprint size at 4mm width x 5mm length
- Smooth operation



### Description:

The PHS04 series is a rotary position sensor that features a small footprint, smooth operation, and a 300,000 life cycle. Some applications are game controllers and robot joint angle controls.

### Applications:

- Robot joint angle control
- Game controller

Electrical Characteristics ( $T_A = 25^\circ \text{C}$ unless otherwise noted)						
SYMBOL	PARAMETER	MIN	TYP	MAX	UNITS	TEST CONDITIONS
$\Omega$	Total Resistance	1K		100K	Ohms	
V	Rated Voltage	5.0		50	Volts	
W	Rated Power		0.01		Watts	
	Linearity Tolerance			$\pm 5\%$		
	Resistance Tolerance		20%			
	Sliding Noise			300	mV	
	Withstand Voltage		1		Min	At AC 250V
	Insulated Resistance	100			m $\Omega$	DC250V, 1 minute

### General Note

TT Electronics reserves the right to make changes in product specification without notice or liability. All information is subject to TT Electronics' own data and is considered accurate at time of going to print.

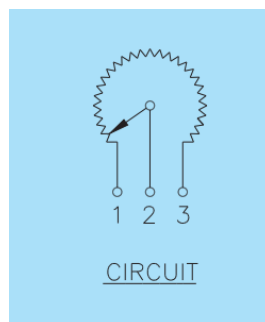
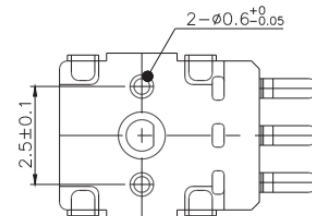
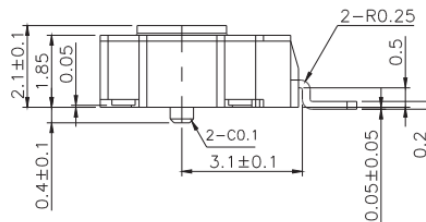
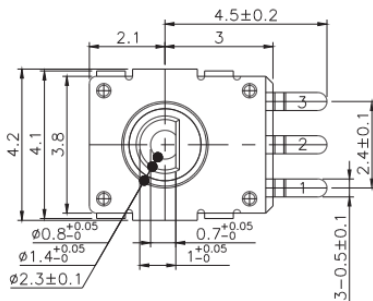
TT Electronics | BI Technologies  
4200 Bonita Place, Fullerton, CA 92835-1053 | Ph: +1 714 447 2300  
www.ttelectronics.com | sensors@ttelectronics.com

# Rotary Position Sensor

## PHS04 Series



Mechanical Characteristics	
Rotational torque	20mN-m
Total rotational angle	360°
Push strength	30 N, 3 sec
Pull strength	5 N, 3 sec
Operating temperature	-20°C to 70°C
Storage temperature	-30°C to 70°C
Operating life	300,000 (Standard) 1,000,000 (Long life)
Dry Heat	70±2°C, 240±2hr, -30%≤ΔTR≤+5%
Cold	-30±2°C, 300±5hr, without load, ΔTR≤±20%
Damp Heat	70±2°C, 85%RH, 300±5hr, -5%≤ ΔTR≤+35%
Temperature Cycle	-10~+70°C, 5 cycles, ΔTR≤±10%
Temperature Characteristics	70±3°Cn 5hr, -20%≤ΔTR≤+5%
Soldering Conditions	Wave soldering: 255±5°C 3 sec Manual soldering: 344±5°C 3 sec

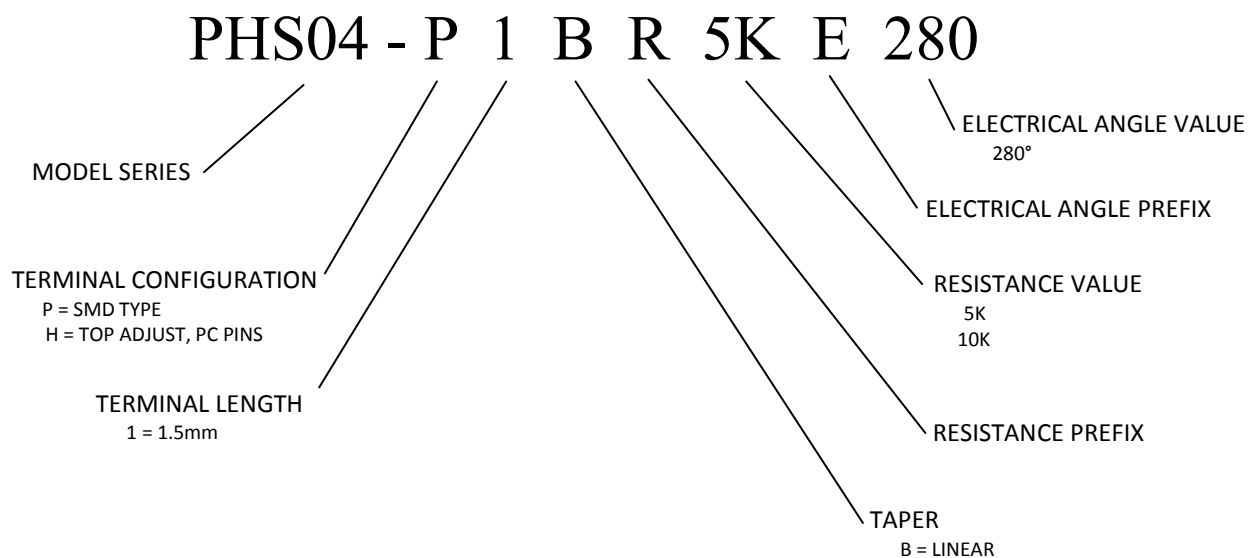


### General Note

TT Electronics reserves the right to make changes in product specification without notice or liability. All information is subject to TT Electronics' own data and is considered accurate at time of going to print.

TT Electronics | BI Technologies  
4200 Bonita Place, Fullerton, CA 92835-1053 | Ph: +1 714 447 2300  
www.ttelectronics.com | sensors@ttelectronics.com

### ORDERING INFORMATION



#### General Note

TT Electronics reserves the right to make changes in product specification without notice or liability. All information is subject to TT Electronics' own data and is considered accurate at time of going to print.