

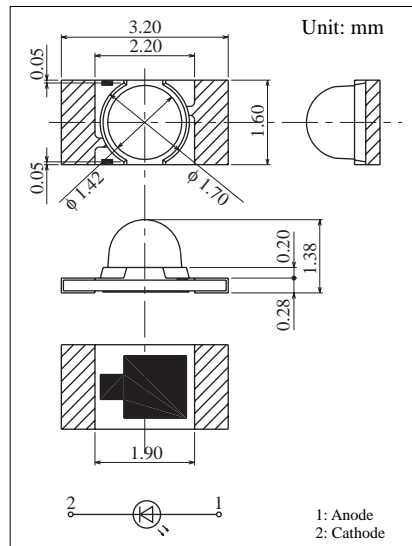
## Dome-Lens Type

Conventional Part No. Global Part No. Lighting Color  
 LNJ218C8ARU1 ..... LNJ218C8ARU1 ..... Red

### Absolute Maximum Ratings (T<sub>a</sub> = 25°C)

| Lighting Color | P(mW) | I <sub>FDC</sub> (mA) | I <sub>FP</sub> (mA)* | V <sub>R</sub> (V) | T <sub>opr</sub> (°C) | T <sub>stg</sub> (°C) |
|----------------|-------|-----------------------|-----------------------|--------------------|-----------------------|-----------------------|
| Red            | 60    | 20                    | 100                   | 3                  | -30 ~ +85             | -40 ~ +100            |

I<sub>FP</sub>の条件は  $\mu$ duty 10% Pulse width 1 msec. The condition of I<sub>FP</sub> is duty 10%, Pulse width 1 msec



### Electro-Optical Characteristics (T<sub>a</sub> = 25°C)

| Conventional Part No. | Lighting Color | Lens Color | I <sub>O</sub> |     |                | V <sub>F</sub> |     | λ <sub>p</sub> | Δλ  | I <sub>F</sub> | I <sub>R</sub> |                |
|-----------------------|----------------|------------|----------------|-----|----------------|----------------|-----|----------------|-----|----------------|----------------|----------------|
|                       |                |            | Typ            | Min | I <sub>F</sub> | Typ            | Max | Typ            | Typ |                | Max            | V <sub>R</sub> |
| LNJ218C8ARU1          | Red            | Clear      | 14             | 7.4 | 10             | 1.72           | 2.5 | 660            | 20  | 10             | 100            | 3              |
| Unit                  | —              | —          | mcd            | mcd | mA             | V              | V   | nm             | nm  | mA             | μA             | V              |

