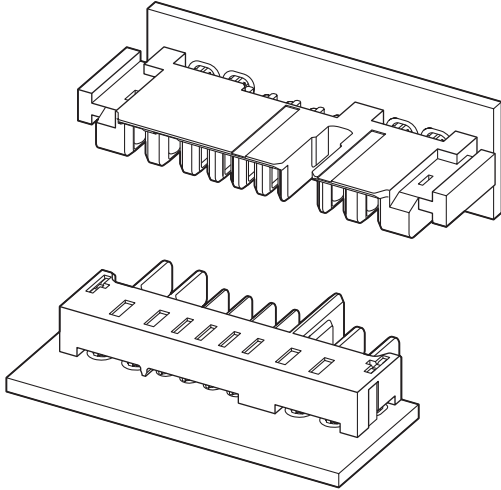




# LBT CONNECTOR B Type

Board-to-board connectors



***This connector is for connecting the lithium polymer battery, and has the sequence structure for connection to the power supply circuit in preference to connection to the signal circuit when mating to the vertical and horizontal directions by dividing the signal circuit and power supply circuit clearly.***

***Moreover, this is the low profile connector (space saving) for applying the high current (power supply circuit 7 A/Single circuit, Total 4-circuit) by adopting the thermal dispersion structure.***

- Connector for power supply (7 A/Single circuit)
- Low profile (Space saving)
- Hybrid type connector with signal circuit and power supply circuit
- Thermal dispersion structure
- Sequence structure (when mating to the vertical and horizontal directions)
- Structure to prevent contact from exposing

## Specifications

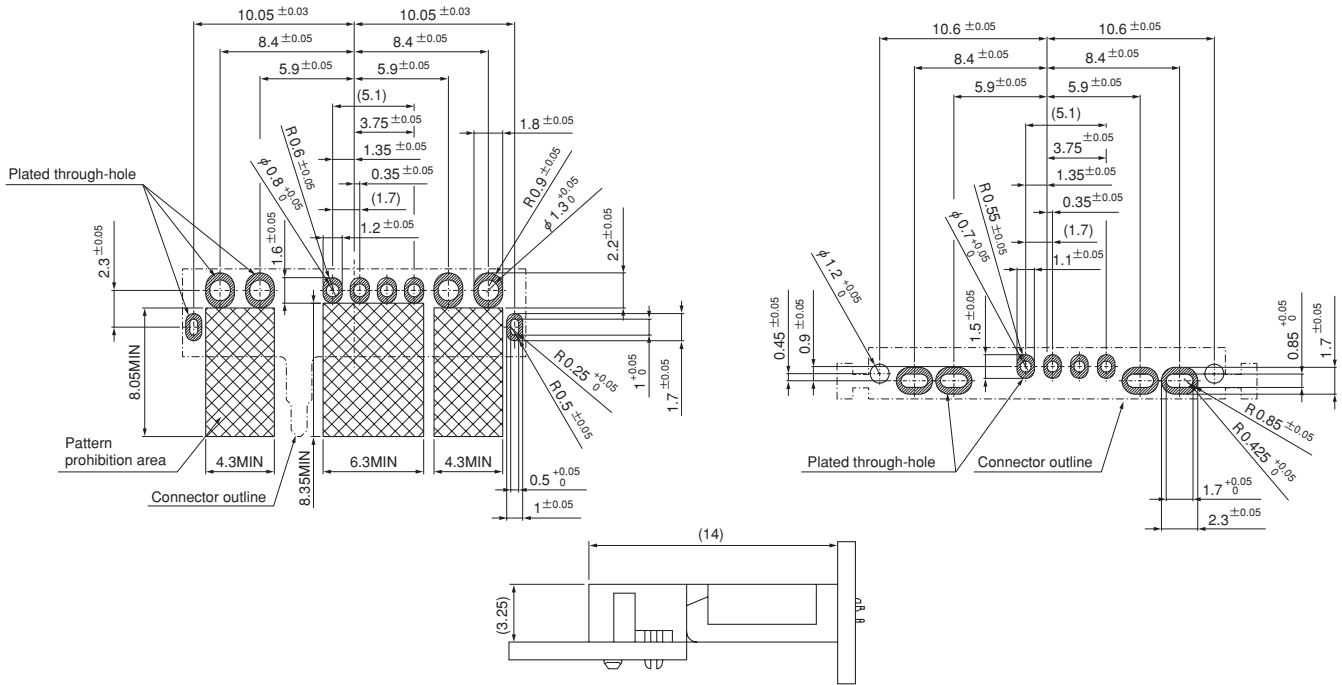
- Current rating: Signal circuit/ 0.5 A AC, DC  
Power supply circuit/ 7.0 A AC, DC
  - Voltage rating: 50 V AC, DC
  - Temperature range: -25°C to +85°C  
(including temperature rise in applying electrical current)
  - Contact resistance: Signal circuit  
Initial value/ 20 mΩ max.  
After environmental tests/ 40 mΩ max.  
Power supply circuit  
Initial value/ 15 mΩ max.  
After environmental tests/ 30 mΩ max.
  - Insulation resistance: 100 MΩ min.
  - Withstanding voltage: 500 VAC/minute
  - Applicable PC board thickness: 1.0 mm
- \* In using the products, refer to "Handling Precaution for Terminal and Connector" described on our website (Technical documents of Product information page).
- \* Contact JST for details.
- \* Compliant with RoHS.

## Standards

Recognized E60389

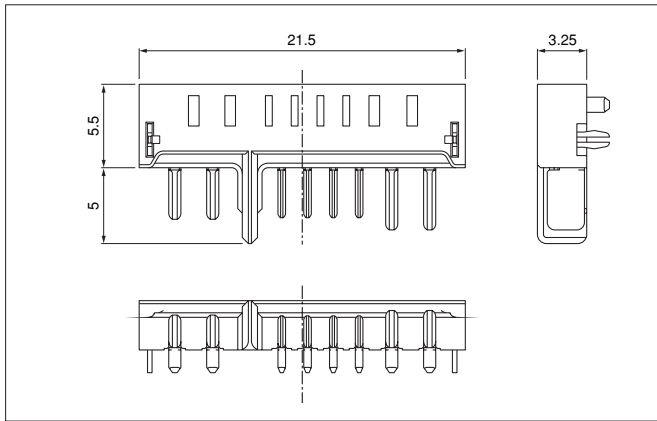
# LBT CONNECTOR B Type

## PC board layout and Assembly layout



- Note: 1. The above figure is the figure viewed from the connector mounting side.  
 2. Tolerances are non-cumulative:  $\pm 0.05$  mm for all centers. The dimensions above should serve as a guideline. Contact JST for details.

## Plug



No. of circuits		Model No.	Q'ty/reel
Power supply	Signal		
4	4	<b>8P-LBTBK-GDDT-4GD-TB(HF)</b>	775

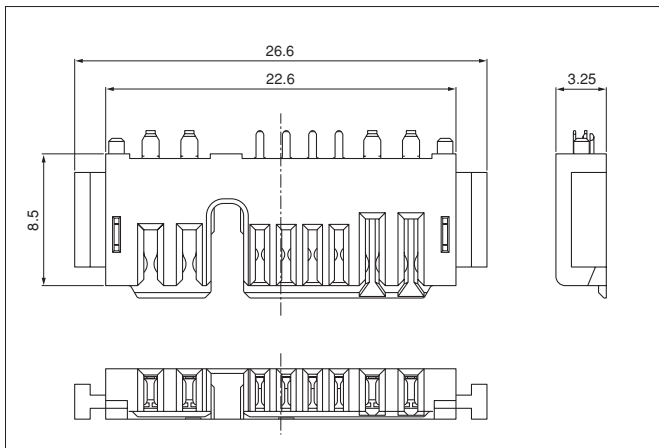
### Material and Finish

- Signal contact: Copper alloy, nickel-undercoated, Contacting part: gold-plated, Soldering part: tin-plated (reflow treatment)
- Power supply contact: Copper alloy, nickel-undercoated, Contacting part: gold-plated, Soldering part: tin-plated (reflow treatment)
- Solder tab: Copper alloy, copper-undercoated, tin-plated (reflow treatment)
- Housing: Heat resisting resin, UL94V-0

### RoHS compliance

Note: The product listed above is supplied on embossed-tape.

## Receptacle



No. of circuits		Model No.	Q'ty/reel
Power supply	Signal		
4	4	<b>8R-LBTBK-GD-4GD-TB(HF)</b>	1,500

### Material and Finish

- Signal contact: Copper alloy, nickel-undercoated, Contacting part: gold-plated, Soldering part: tin-plated (reflow treatment)
- Power supply contact: Copper alloy, nickel-undercoated, Contacting part: gold-plated, Soldering part: tin-plated (reflow treatment)
- Housing: Heat resisting resin, UL94V-0

### RoHS compliance

Note: The product listed above is supplied on embossed-tape.

# LBT CONNECTOR B Type

## Model number identification

### Plug

**8 P - LBTB K - GD DT - 4 GD - TB (HF)**

No. of all circuits (Signal circuit + Power supply circuit): 8	8
Part name: P --- Plug	P
Series name	LBTB
Color indication: K --- Black	K
Surface finish (Signal circuit): GD --- Nickel-undercoated, Contacting part: gold-plated Soldering part: tin-plated (reflow treatment)	GD DT
Specification of solder tab: DT --- DIP (peg pin) type/ Copper-undercoated, tin-plated (reflow treatment)	DT
No. of circuits of power supply circuit: 4	4
Surface finish (Power supply circuit): GD --- Nickel-undercoated, Contacting part: gold-plated Soldering part: tin-plated (reflow treatment)	GD
Packaging style: TB --- Embossed-taping	TB
Indication of halogen free: (HF) --- Halogen-free	(HF)

### Receptacle

**8 R - LBTB K - GD - 4 GD - TB (HF)**

No. of all circuits (Signal circuit + Power supply circuit): 8	8
Part name: R --- Receptacle (Vertical DIP)	R
Series name	LBTB
Color indication: K --- Black	K
Surface finish (Signal circuit): GD --- Nickel-undercoated, Contacting part: gold-plated Soldering part: tin-plated (reflow treatment)	GD
No. of circuits of power supply circuit: 4	4
Surface finish (Power supply circuit): GD --- Nickel-undercoated, Contacting part: gold-plated Soldering part: tin-plated (reflow treatment)	GD
Packaging style: TB --- Embossed-taping	TB
Indication of halogen free: (HF) --- Halogen-free	(HF)