



- 10/100 Base-T for POE, LAN and other Ethernet Applications
- Impedance: 100OHMS
- RJ45 jack cavity conforms to FCC rules and regulations Part 68, SUB Part F
- Industrial Temp: -40°C to +85°C
- Contact Factory for Standard Operating Temp.
- Available in other Circuit Designs
- Suitable for IR Reflow
- Other LED Patterns available

Electrical Specifications @ 25°C

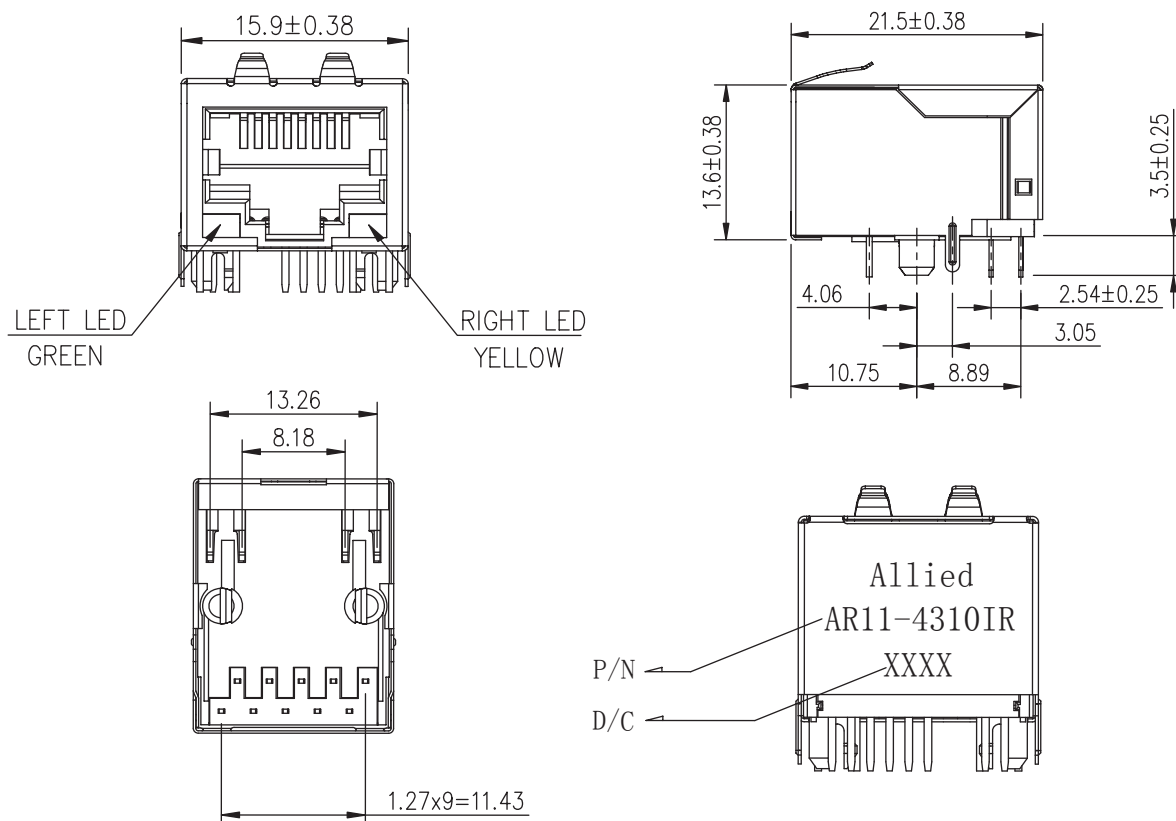
Part Number	OCL(uH Min) @ 100kHz, 0.1V	Turns Ratio @ 100KHz, 0.1V		Insertion Loss (dB Max)	Return Loss (dB Min)		
	With 8mA DC Bias	P1-P3: J1-J2	P4-P5: J3-J6	1-100MHz	1-30MHz	30-60MHz	60-80MHz
AR11-4310IR	350	1:1±5%	1:1±5%	-1.0	-18	-16	-12

Electrical Specifications @ 25°C

Cross Talk (dB Min)	CMR (dB Min)	HI-POT (Vrms)
1-100MHz	1-100MHz	1.0mA/3Sec.
-30	-30	1500

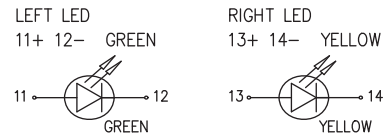
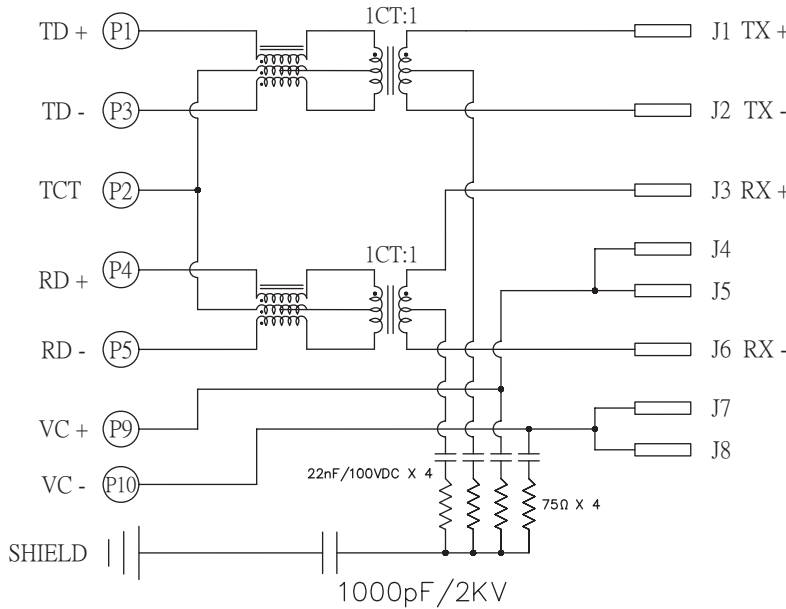
All specifications subject to change without notice.

MECHANICAL





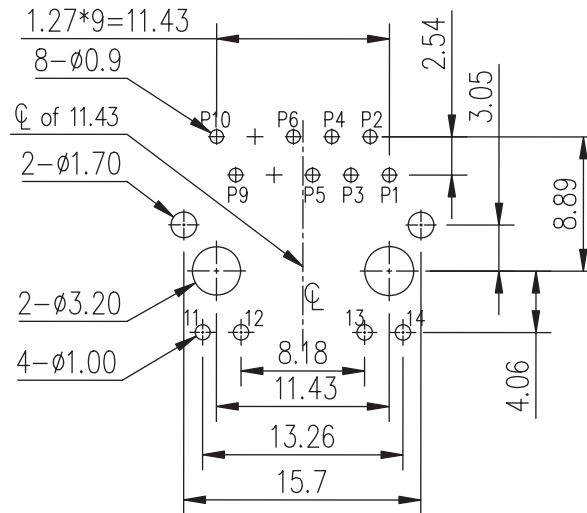
**SCHEMATICS**



STANDARD LED	WAVELENGTH	FORWARD VOLTAGE
GREEN	565nm	2.5V MAX
YELLOW	585nm	2.5V MAX

With a forward current of 20mA

**PCB LAYOUT**



**NOTES**

- Shielded – 0.20mm THICKNESS BRASS C2680 H. PLATING NICKEL 20u”MIN.
- Housing— Standard Material LCP,Glass Filled Polyester UL94V-0 Standed Color Black.
- Contact Pin— Plastic: LCP UL94V-0,Standard Color Black. Pin: 0.35mm Thickness Phos-Bronze C5210 EH. Plating: Nickel30u”~60u” for all and Sn 100%, and Gold Plating 30u”.
- Insert Pin— Plastic: LCP,Glass Filled,UL94V-0, Standard Color Black. Pin: 0.35mm Thickness SUS430. Plating: Nickel30u”~60u” for all and Sn 100%.