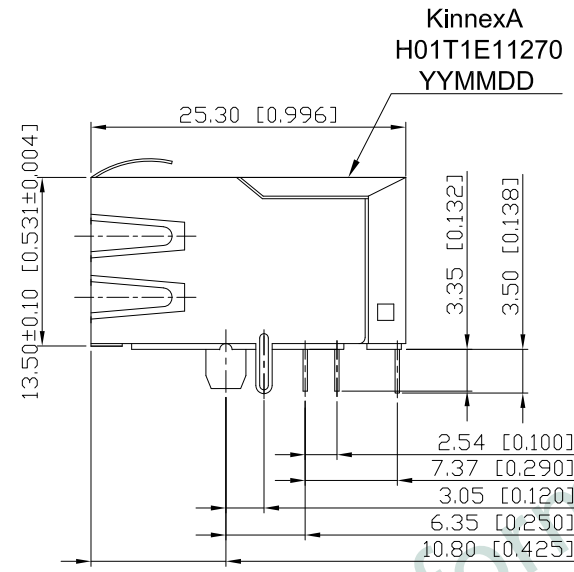
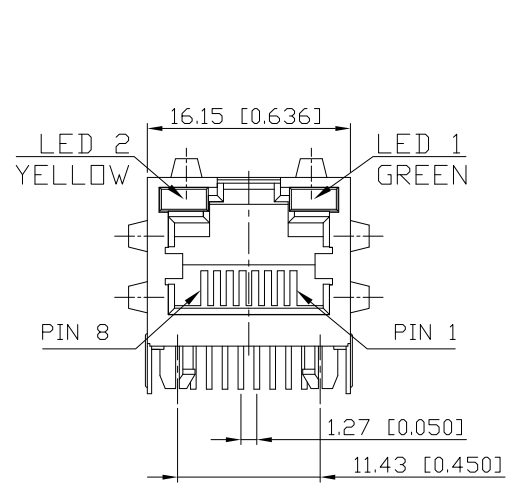


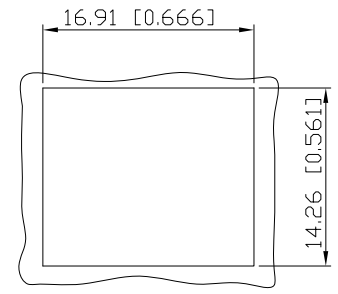
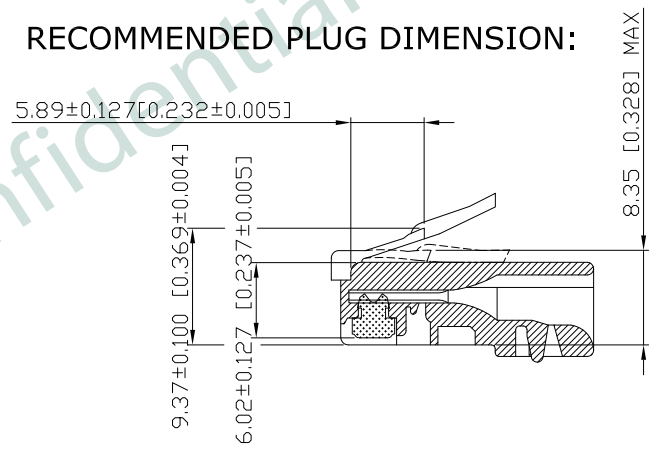
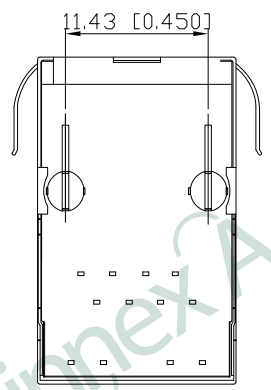
1. MECHANICAL DIMENSIONS :

REV.	DATE	DESCRIPTION
A	Mar. 24, '14	1st RELEASE



- NOTES:
- MATERIAL:  
HOUSING: HIGH THERMOPLASTIC, UL94V-0, BLACK  
CONTACTS: T=0.35mm PHOS-BRONZE,  
6u" GOLD PLATING ON CONTACT AREA,  
NICKEL UNDERPLATING OVERALL  
SHIELD: TCOPPER ALLOY, NICKEL PLATING
  - OPERATING TEMPERATURE: 0°C~+70°C
  - MATING FORCE: 4 POUNDS MAX.  
UNMATING FORCE: 4 POUNDS MAX.
  - DURABILITY: 750 MATING CYCLED MIN.
  - CAVITY CONFORMS TO FCC RULES  
AND REGULATIONS PART 68, SUBPART F.
  - UNSPECIFIED TOLERANCE: .XX ±0.25[0.010]  
.X ±0.30[0.012]

RECOMMENDED PLUG DIMENSION:



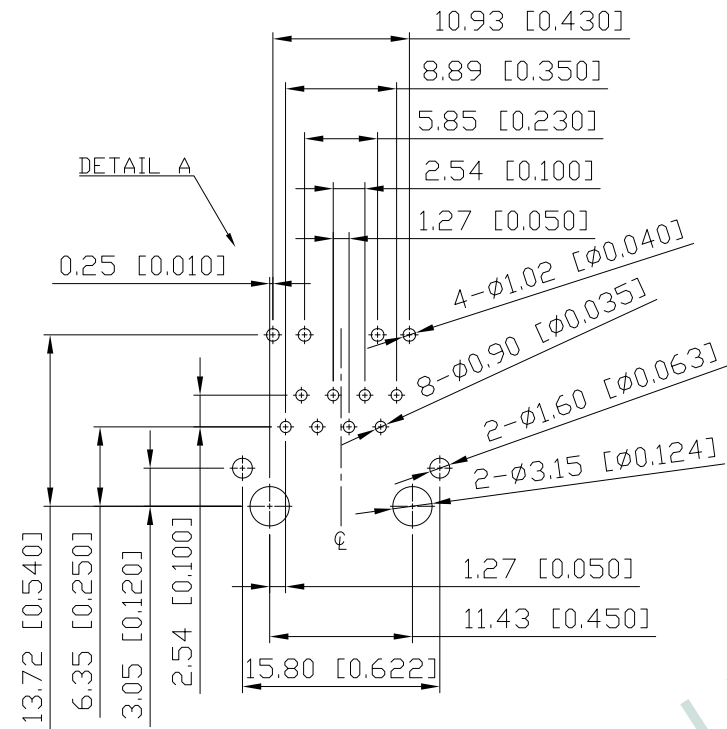
RECOMMENDED PANEL CUTOUT DIMENSION

PART NO KRH-01T-1-E11-270				
TITLE	RJ45 W/10/100 TRANSFORMER, W/LED, SHIELDED			
REV : A				
UNIT	DRAWN	CHKD	DATE	SHEET
mm[inch]	RYAN	LED	Mar. 24, '14	1 of 5

ROHS Compliant

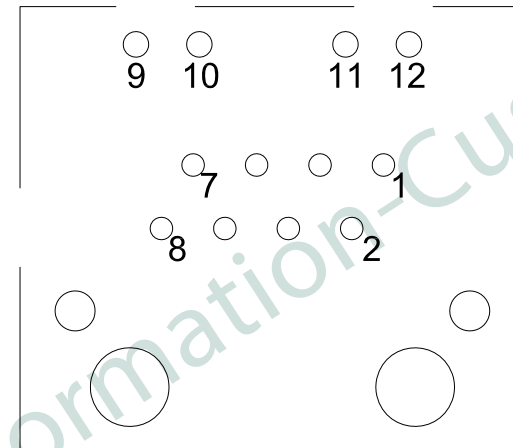
2. PCB LAYOUT :

A  
B  
C  
D  
E  
F



SUGGESTED PCB LAYOUT  
(TOP VIEW)

DIMENSIONAL TOLERANCE: .XX ±0.08[0.003]



DETAIL A  
SCALE: 2:1

P#	DEFINITION
P1	TD+
P2	TD-
P3	CT
P4	-
P5	-
P6	CT
P7	RD+
P8	RD-
P9	LEFT YE+
P10	LEFT YE-
P11	RIGHT GR-
P12	RIGHT GR+

PRODUCT SERIES  
KRH: LATCH UP

NUMBER OF PORTS  
MECHANICAL TYPE  
01T: KRH 1 PORT, LENGTH=25.3mm,  
STAGGERED PINS

LED COLOR OPTION

CIRCUIT TYPE

SPECIAL CODE  
0: STANDARD

SHIELDED TYPE  
7: EMI FINGER ON ALL SIDE

LED POLARITY  
2: +-, -+

PART NO KRH-01T-1-E11-270				
TITLE	RJ45 W/10/100 TRANSFORMER, W/LED, SHIELDED			
REV : A				
UNIT	DRAWN	CHKD	DATE	SHEET
mm[inch]	RYAN	LED	Mar. 24, '14	2 of 5

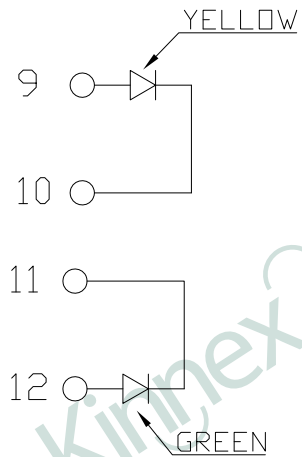
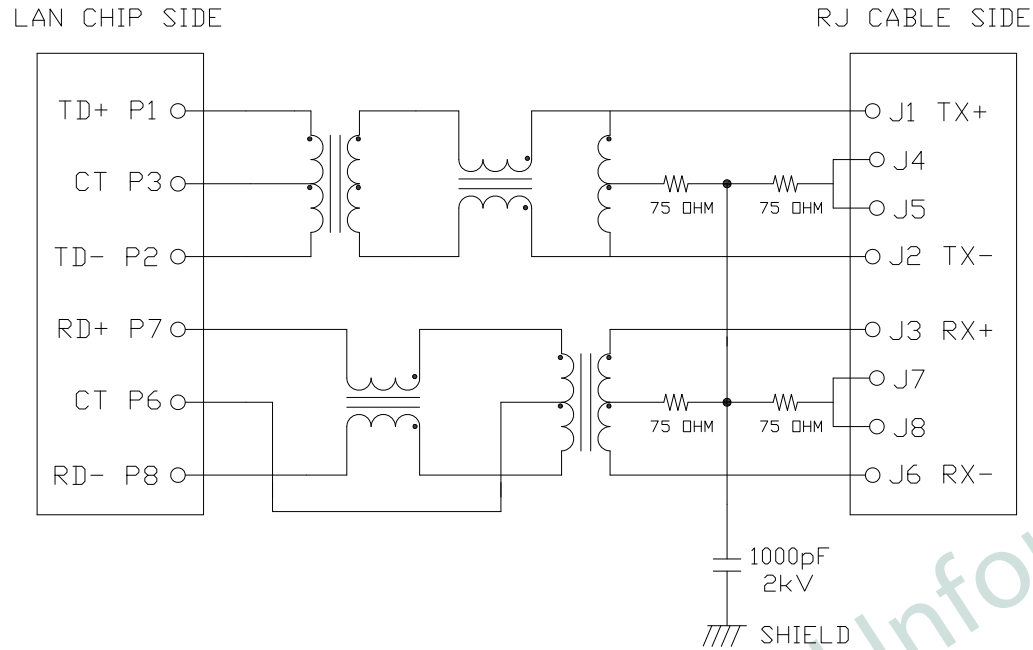
DWG NO KRH-01T-1-E11-270

3. SCHEMATIC :

4. ELECTRICAL CHARACTERISTICS :

TEST NOTES:(25±5°C)

1. TR:  
INPUT TO OUTPUT=1:1±3%
2. OCL: (100KHz, 100mV, 8mA, DC Bias)  
350uH MINIMUM
3. DCR:  
EVERY RJ PAIR=1.2 Ω MAXIMUM
4. INSERTION LOSS:  
-1.0dB MAXIMUM AT 0.3MHz TO 100MHz
5. RETURN LOSS:  
-20dB MINIMUM AT 1MHz TO 30MHz  
-15dB MINIMUM AT 30MHz TO 60MHz  
-10dB MINIMUM AT 60MHz TO 80MHz
6. CROSS TALK:  
-30dB MINIMUM AT 1MHz TO 100MHz
7. CM TO CM MODE REJECTION:  
-30dB MINIMUM AT 1MHz TO 100MHz
8. HIPOT:  
INPUT(RJ SIDE) TO SHIELDING:  
2250 VDC/60SEC



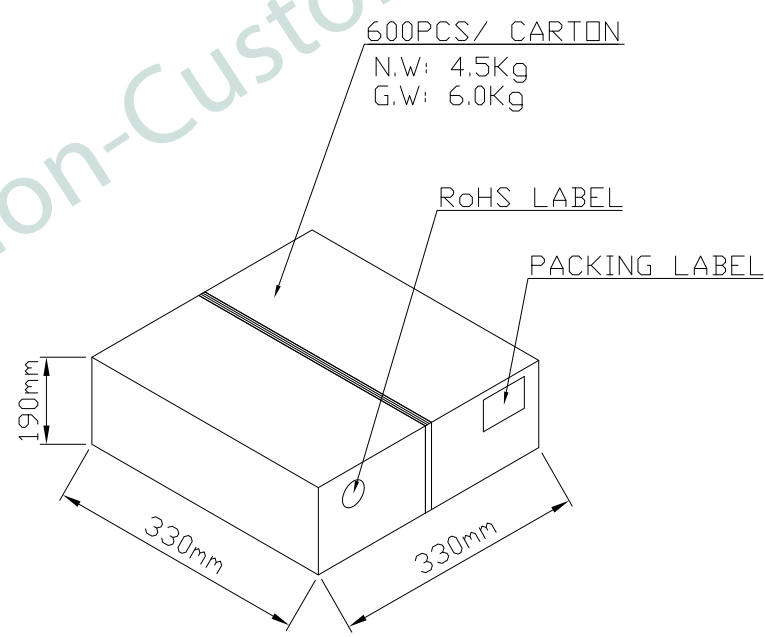
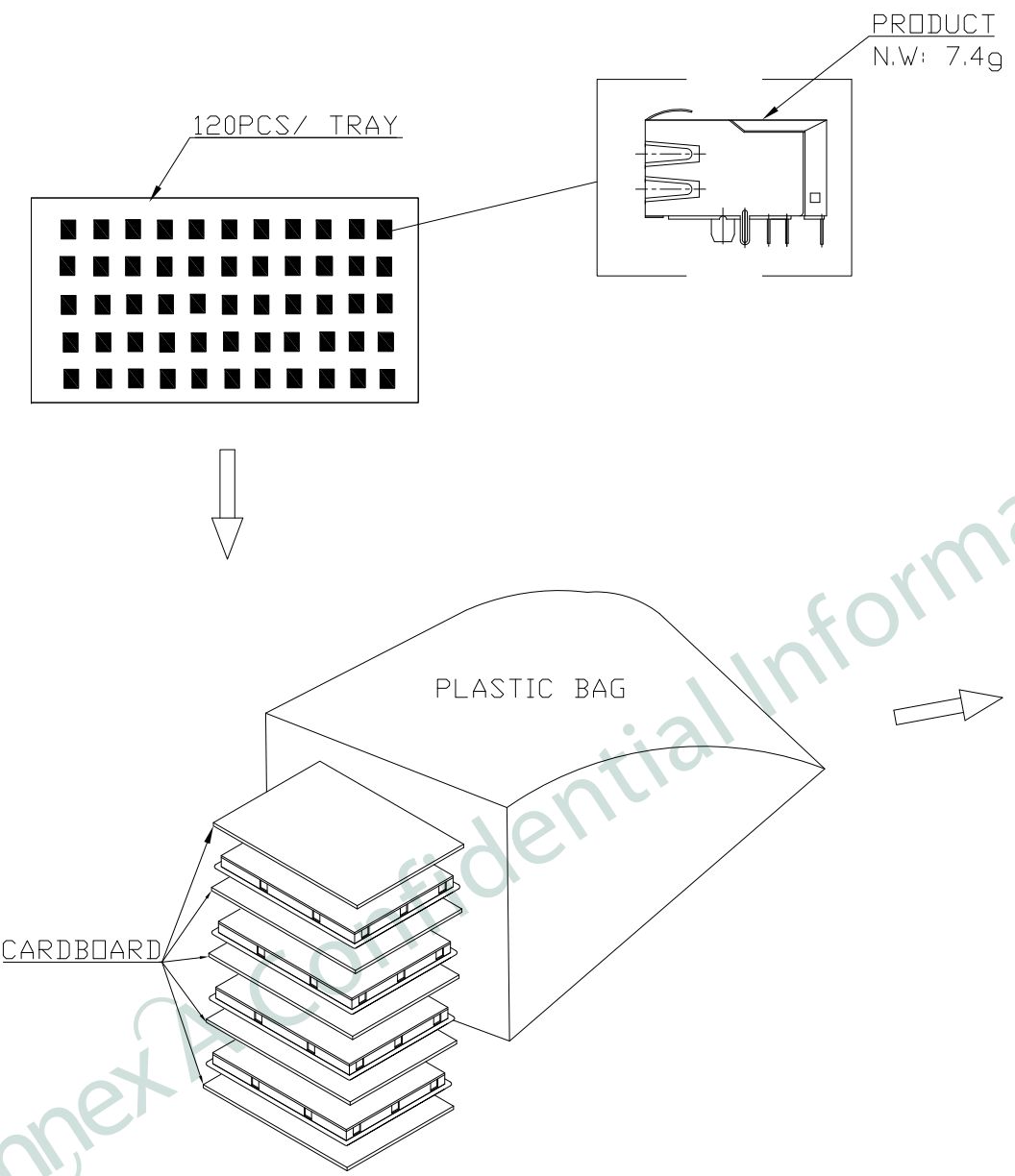
COLOR	VF(V) @20mA		IV(mcd) @20mA	IF(mA)	PEAK WAVE LENGTH λP(nm) @20mA
	TYP	MAX	TYP	TYP	TYP
YELLOW	2.2	2.6	15	20	588
GREEN	2.2	2.6	10	20	570

PART NO		KRH-01T-1-E11-270		
TITLE	RJ45 W/10/100 TRANSFORMER, W/LED, SHIELDED			
REV : A				
UNIT	DRAWN	CHKD	DATE	SHEET
mm[inch]	RYAN	LED	Mar. 24, '14	3 of 5

DWG NO KRH-01T-1-E11-270

4. PACKING SPECIFICATION:

A  
B  
C  
D  
E  
F



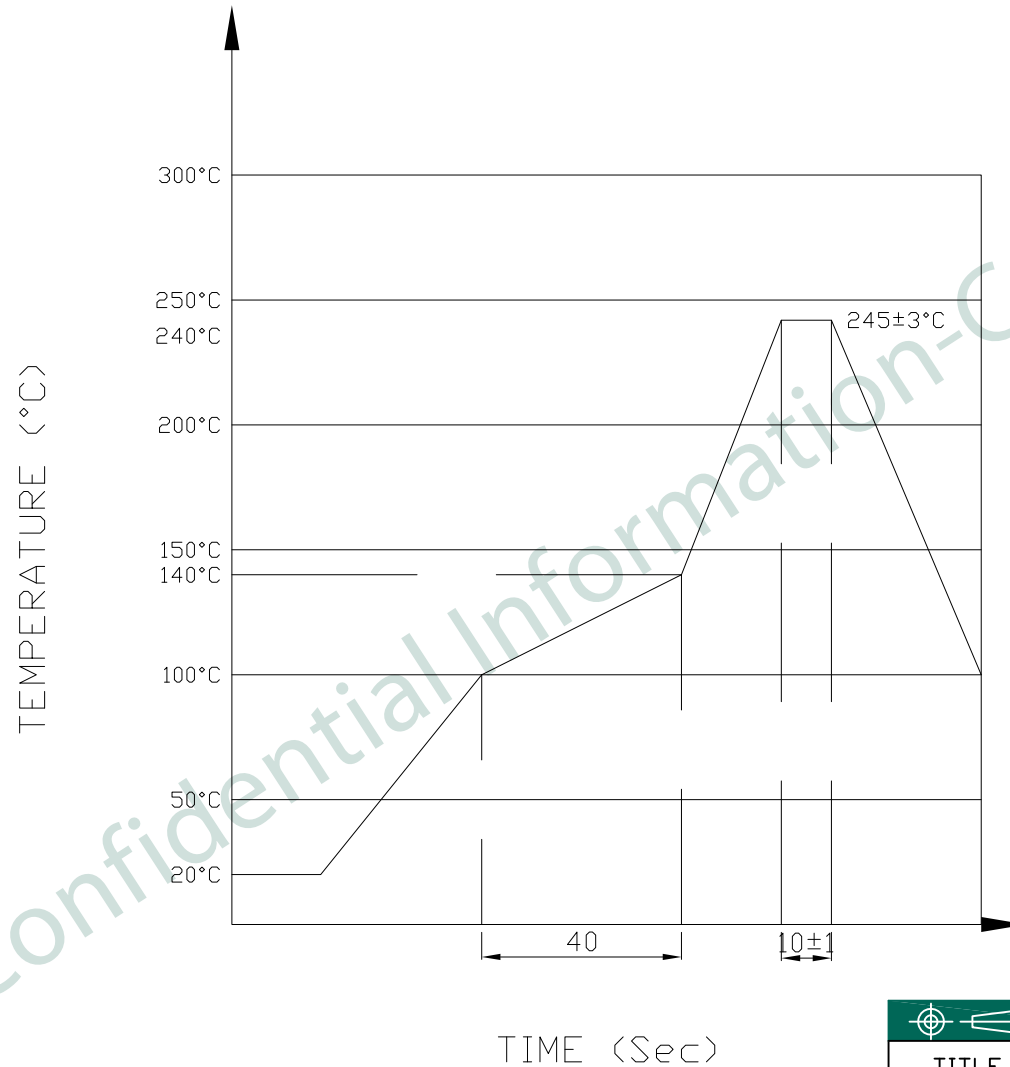
<b>PART NO</b> KRH-01T-1-E11-270				
<b>TITLE</b>	RJ45 W/10/100 TRANSFORMER, W/LED, SHIELDED			
<b>REV : A</b>				
<b>UNIT</b>	<b>DRAWN</b>	<b>CHKD</b>	<b>DATE</b>	<b>SHEET</b>
mm[inch]	RYAN	LED	Mar. 24, '14	4 of 5

DWG NO KRH-01T-1-E11-270

※ THIS DRAWING IS A CONTROLLED DOCUMENT ※

RoHS Compliant

6. PROFILE OF WAVE SOLDER :



THE MEASURING POINT FOR THE SPECIFIED TEMPERATURE SHALL BE ON THE SOLDERED PART OF THE LEAD

PART NO KRH-01T-1-E11-270				
TITLE	RJ45 W/10/100 TRANSFORMER, W/LED, SHIELDED			
REV : A				
UNIT	DRAWN	CHKD	DATE	SHEET
mm[inch]	RYAN	LED	Mar. 24, '14	5 of 5