

## Quad SPST CMOS Analog Switches

### APPLICATIONS

- Audio switching
- Battery powered systems
- Data acquisition
- Sample-and-hold circuits
- Telecommunication systems
- Automatic test equipment
- Single supply circuits
- Hard disk drives

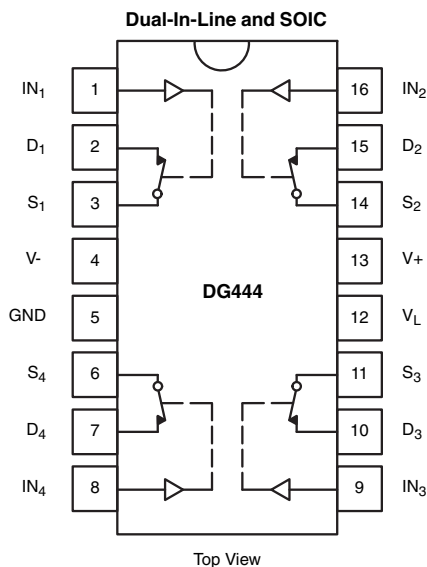
### DESCRIPTION

The DG444, DG445 monolithic quad analog switches are designed to provide high speed, low error switching of analog signals. The DG444 has a normally closed function. The DG445 has a normally open function. Combining low power (22 nW, typ.) with high speed ( $t_{ON}$ : 120 ns, typ.), the DG444, DG445 are ideally suited for upgrading DG211, DG212 sockets. Charge injection has been minimized on the drain for use in sample-and-hold circuits.

To achieve high-voltage ratings and superior switching performance, the DG444, DG445 are built on Vishay Siliconix's high-voltage silicon-gate process. An epitaxial layer prevents latchup.

Each switch conducts equally well in both directions when on, and blocks input voltages to the supply levels when off.

### FUNCTIONAL BLOCK DIAGRAM AND PIN CONFIGURATION



### FEATURES

- Low on-resistance: 50  $\Omega$
- Low leakage: 80 pA
- Low power consumption: 22 nW
- Fast switching action -  $t_{ON}$ : 120 ns
- Low charge injection
- DG211, DG212 upgrades
- TTL/CMOS logic compatible

### BENEFITS

- Low signal errors and distortion
- Reduced power supply requirements
- Faster throughput
- Improved reliability
- Reduced pedestal errors
- Simple interfacing
- Wide supply ranges
  - Single supply: +5 V to 36 V
  - Dual supplies:  $\pm 5$  V to  $\pm 20$  V

### TRUTH TABLE

LOGIC	DG444	DG445
0	On	Off
1	Off	On

#### Note

- Logic "0"  $\leq 0.8$  V
- Logic "1"  $\geq 2.4$  V

### ORDERING INFORMATION

TEMP. RANGE	PACKAGE	PART NUMBER
-40 °C to 85 °C	16-pin plastic DIP	DG444DJ
		DG445DJ
	16-pin narrow SOIC	DG444DY
		DG445DY



ABSOLUTE MAXIMUM RATINGS (T <sub>A</sub> = 25 °C, unless otherwise noted)			
PARAMETER	LIMIT		UNIT
V <sub>+</sub> to V <sub>-</sub>	44		V
GND to V <sub>-</sub>	25		
V <sub>L</sub>	(GND - 0.3) to (V <sub>+</sub> ) +0.3		
Digital Inputs <sup>a</sup> , V <sub>S</sub> , V <sub>D</sub>	(V <sub>-</sub> ) -2 to (V <sub>+</sub> ) +2 or 30 mA, whichever occurs first		
Continuous Current (Any Terminal)	30		mA
Current, S or D (Pulsed at 1 ms, 10 % Duty Cycle)	100		
Storage Temperature	-65 to 125		°C
Power Dissipation (Package) <sup>b</sup>	16-Pin Plastic DIP <sup>c</sup>	450	mW
	16-Pin Narrow Body SOIC <sup>d</sup>	640	

**Notes**

- a. Signals on S<sub>X</sub>, D<sub>X</sub>, or IN<sub>X</sub> exceeding V<sub>+</sub> or V<sub>-</sub> will be clamped by internal diodes. Limit forward diode current to maximum current ratings.
- b. All leads welded or soldered to PC board.
- c. Derate 6 mW/°C above 75 °C.
- d. Derate 8 mW/°C above 75 °C.

SPECIFICATIONS for Dual Supplies								
PARAMETER	SYMBOL	TEST CONDITIONS UNLESS OTHERWISE SPECIFIED V <sub>+</sub> = 15 V, V <sub>-</sub> = -15 V V <sub>L</sub> = 5 V, V <sub>IN</sub> = 2.4 V, 0.8 V <sup>e</sup>	TEMP. <sup>a</sup>	D SUFFIX -40 °C TO 85 °C			UNIT	
				MIN. <sup>b</sup>	TYP. <sup>c</sup>	MAX. <sup>b</sup>		
<b>Analog Switch</b>								
Analog Signal Range <sup>d</sup>	V <sub>ANALOG</sub>		Full	-15	-	15	V	
Drain-Source On-Resistanc <sup>e</sup>	R <sub>DS(on)</sub>	I <sub>S</sub> = -10 mA, V <sub>D</sub> = ± 8.5 V V <sub>+</sub> = 13.5 V, V <sub>-</sub> = -13.5 V	Room	-	50	85	Ω	
			Full	-	-	100		
Switch Off Leakage Current	I <sub>S(off)</sub>	V <sub>+</sub> = 16.5 V, V <sub>-</sub> = -16.5 V V <sub>D</sub> = ± 15.5 V, V <sub>S</sub> = ± 15.5 V	Room	-0.5	± 0.01	0.5	nA	
			Full	-5	± 0.01	5		
	Room		-0.5	± 0.01	0.5			
	Full		-5	± 0.01	5			
Channel On Leakage Current	I <sub>D(on)</sub>	V <sub>+</sub> = 16.5 V, V <sub>-</sub> = -16.5 V V <sub>S</sub> = V <sub>D</sub> = ± 15.5 V	Room	-0.5	± 0.08	0.5		
			Full	-10	± 0.08	10		
<b>Digital Control</b>								
Input Current V <sub>IN</sub> Low	I <sub>IL</sub>	V <sub>IN</sub> under test = 0.8 V All Other = 2.4 V	Full	-500	-0.01	500	nA	
Input Current V <sub>IN</sub> High	I <sub>IH</sub>	V <sub>IN</sub> under test = 2.4 V All Other = 0.8 V	Full	-500	0.01	500		
<b>Dynamic Characteristics</b>								
Turn-On Time	t <sub>ON</sub>	R <sub>L</sub> = 1 kΩ, C <sub>L</sub> = 35 pF V <sub>S</sub> = ± 10 V, See Figure 2	Room	-	120	250	ns	
Turn-Off Time	t <sub>OFF</sub>		DG444	Room	-	110		140
			DG445	Room	-	160		210
Charge Injection <sup>e</sup>	Q	C <sub>L</sub> = 1 nF, V <sub>S</sub> = 0 V V <sub>gen</sub> = 0 V, R <sub>gen</sub> = 0 Ω	Room	-	-1	-	pC	
Off Isolation <sup>e</sup>	OIRR	R <sub>L</sub> = 50 Ω, C <sub>L</sub> = 5 pF, f = 1 MHz	Room	-	60	-	dB	
Crosstalk (Channel-to-Channel) <sup>d</sup>	X <sub>TALK</sub>		Room	-	100	-		
Source Off Capacitance	C <sub>S(off)</sub>	f = 1 MHz	Room	-	4	-	pF	
Drain Off Capacitance	C <sub>D(off)</sub>		Room	-	4	-		
Channel On Capacitance	C <sub>D(on)</sub>		V <sub>ANALOG</sub> = 0 V	Room	-	16		-



SPECIFICATIONS for Dual Supplies							
PARAMETER	SYMBOL	TEST CONDITIONS UNLESS OTHERWISE SPECIFIED $V_+ = 15\text{ V}$ , $V_- = -15\text{ V}$ $V_L = 5\text{ V}$ , $V_{IN} = 2.4\text{ V}$ , $0.8\text{ V}^e$	TEMP. <sup>a</sup>	D SUFFIX -40 °C TO 85 °C			UNIT
				MIN. <sup>b</sup>	TYP. <sup>c</sup>	MAX. <sup>b</sup>	
<b>Power Supplies</b>							
Positive Supply Current	I <sub>+</sub>	$V_+ = 16.5\text{ V}$ , $V_- = -16.5\text{ V}$ $V_{IN} = 0\text{ V}$ or $5\text{ V}$	Room	-	0.001	1	μA
			Full	-	-	5	
Negative Supply Current	I <sub>-</sub>		Room	-1	-0.0001	-	
			Full	-5	-	-	
Logic Supply Current	I <sub>L</sub>		Room	-	0.001	1	
			Full	-	0.001	5	
Ground Current	I <sub>GND</sub>		Room	-1	-0.001	-	
			Full	-5	-0.001	-	

SPECIFICATIONS for Unipolar Supplies								
PARAMETER	SYMBOL	TEST CONDITIONS UNLESS OTHERWISE SPECIFIED $V_+ = 12\text{ V}$ , $V_- = 0\text{ V}$ $V_L = 5\text{ V}$ , $V_{IN} = 2.4\text{ V}$ , $0.8\text{ V}^e$	TEMP. <sup>a</sup>	LIMITS -40 °C TO 85 °C			UNIT	
				MIN. <sup>b</sup>	TYP. <sup>c</sup>	MAX. <sup>b</sup>		
<b>Analog Switch</b>								
Analog Signal Range <sup>d</sup>	V <sub>ANALOG</sub>		Full	0	-	12	V	
Drain-Source On-Resistance <sup>d</sup>	R <sub>DS(on)</sub>	$I_S = -10\text{ mA}$ , $V_D = 3\text{ V}$ , $8\text{ V}$ $V_+ = 10.8\text{ V}$ , $V_L = 5.25\text{ V}$	Room	-	100	160	Ω	
			Full	-	-	200		
<b>Dynamic Characteristics</b>								
Turn-On Time	t <sub>ON</sub>	$R_L = 1\text{ k}\Omega$ , $C_L = 35\text{ pF}$ , $V_S = 8\text{ V}$ See Figure 2	Room	-	300	450	ns	
Turn-Off Time	t <sub>OFF</sub>		Room	-	60	200		
Charge Injection	Q	$C_L = 1\text{ nF}$ , $V_{gen} = 6\text{ V}$ , $R_{gen} = 0\ \Omega$	Room	-	2	-	pC	
<b>Power Supplies</b>								
Positive Supply Current	I <sub>+</sub>	$V_+ = 13.2\text{ V}$ , $V_{IN} = 0\text{ V}$ or $5\text{ V}$	Room	-	0.001	1	μA	
			Full	-	-	5		
Negative Supply Current	I <sub>-</sub>		Room	-1	-0.0001	-		
			Full	-5	-	-		
Logic Supply Current	I <sub>L</sub>		$V_L = 5.25\text{ V}$ , $V_{IN} = 0\text{ V}$ or $5\text{ V}$	Room	-	0.001		1
				Full	-	-		5
Ground Current	I <sub>GND</sub>		$V_{IN} = 0\text{ V}$ or $5\text{ V}$	Room	-1	-0.001		-
				Full	-5	-		-

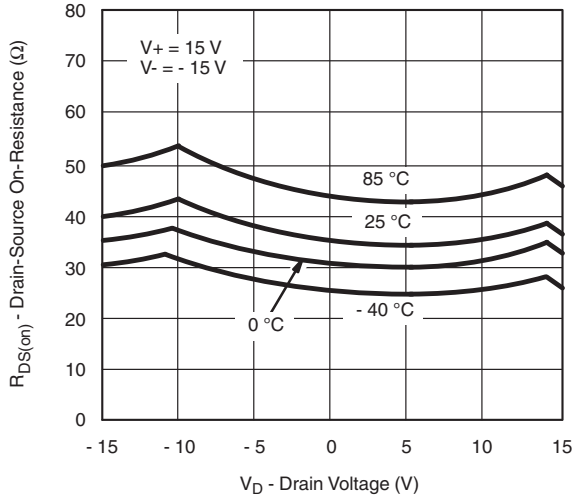
**Notes**

- a. Room = 25 °C, Full = as determined by the operating temperature suffix.
- b. The algebraic convention whereby the most negative value is a minimum and the most positive a maximum, is used in this datasheet.
- c. Typical values are for DESIGN AID ONLY, not guaranteed nor subject to production testing.
- d. Guaranteed by design, not subject to production test.
- e. V<sub>IN</sub> = input voltage to perform proper function.

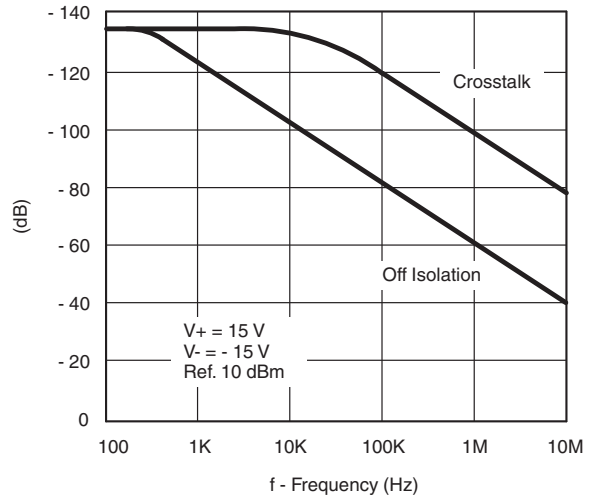
Stresses beyond those listed under "Absolute Maximum Ratings" may cause permanent damage to the device. These are stress ratings only, and functional operation of the device at these or any other conditions beyond those indicated in the operational sections of the specifications is not implied. Exposure to absolute maximum rating conditions for extended periods may affect device reliability.



**TYPICAL CHARACTERISTICS** ( $T_A = 25\text{ }^\circ\text{C}$ , unless otherwise noted)



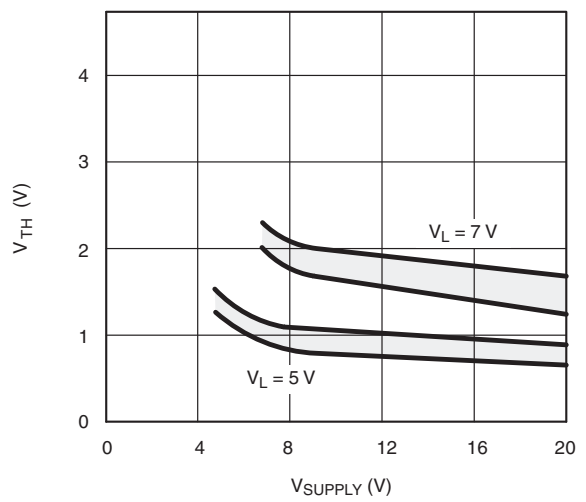
**$R_{DS(on)}$  vs.  $V_D$  and Temperature**



**Crosstalk and Off Isolation vs. Frequency**



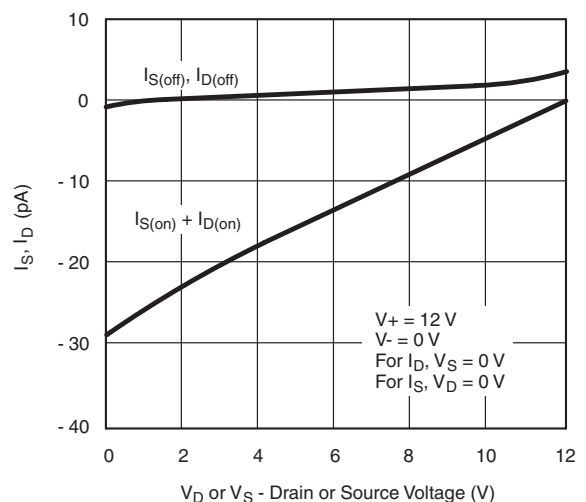
**Charge Injection vs. Source Voltage**



**Switching Threshold vs. Supply Voltage**



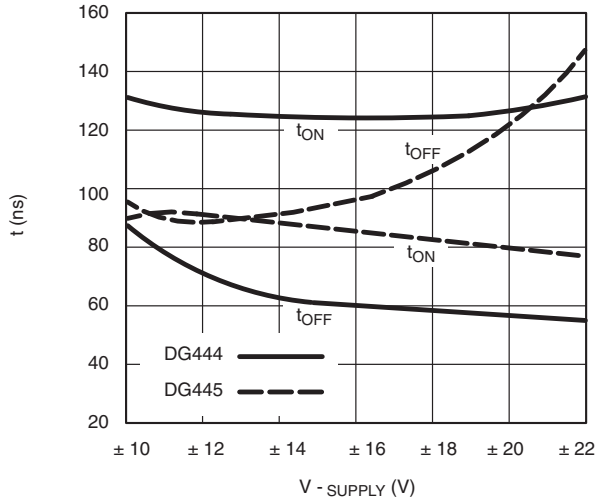
**Source/Drain Leakage Currents**



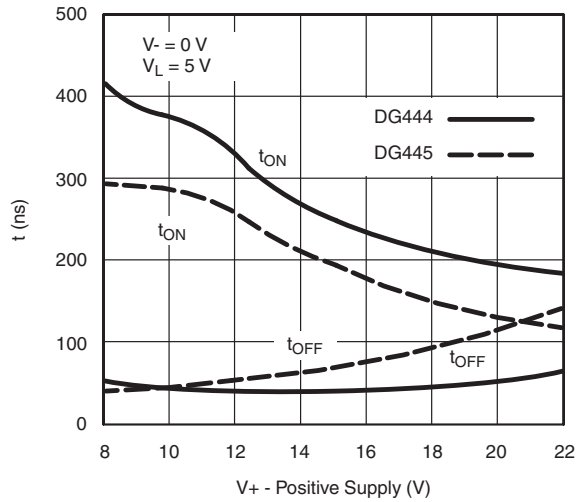
**Source/Drain Leakage Currents (Single 12-V Supply)**



TYPICAL CHARACTERISTICS (T<sub>A</sub> = 25 °C, unless otherwise noted)



Switching Time vs. Power Supply Voltage



Switching Times vs. Power Supply Voltage



Supply Current vs. Temperature



Source/Drain Capacitance vs. Analog Voltage



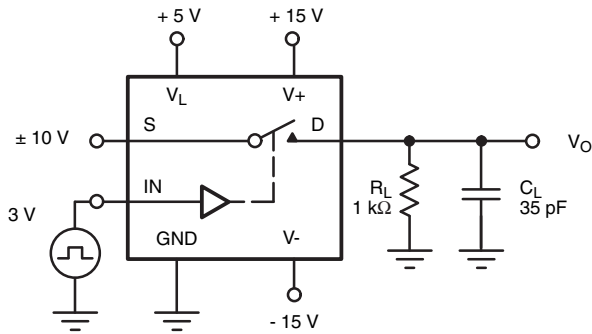
Switching Time vs. Input Voltage

**SCHEMATIC DIAGRAM TYPICAL CHANNEL**



Fig. 1

**TEST CIRCUITS**



$C_L$  (includes fixture and stray capacitance)



Note: Logic input waveform is inverted for DG445.

Fig. 2 - Switching Time

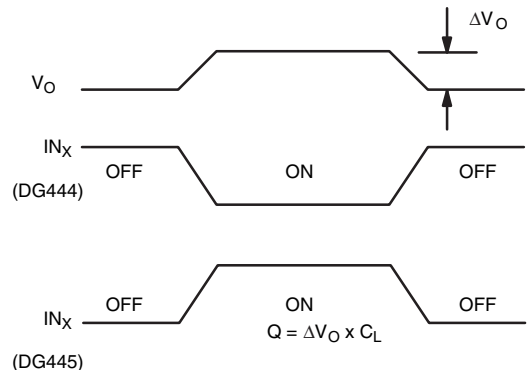
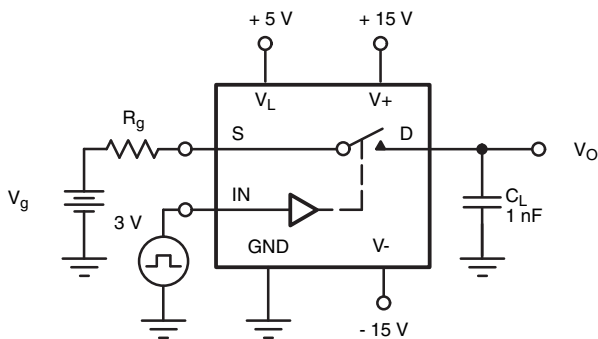
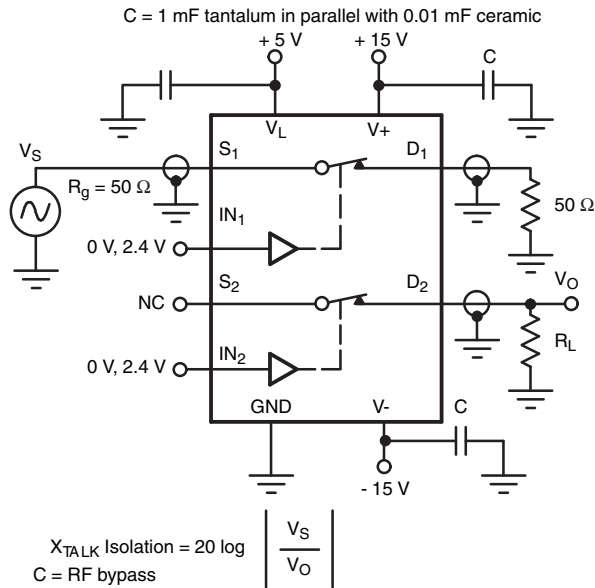
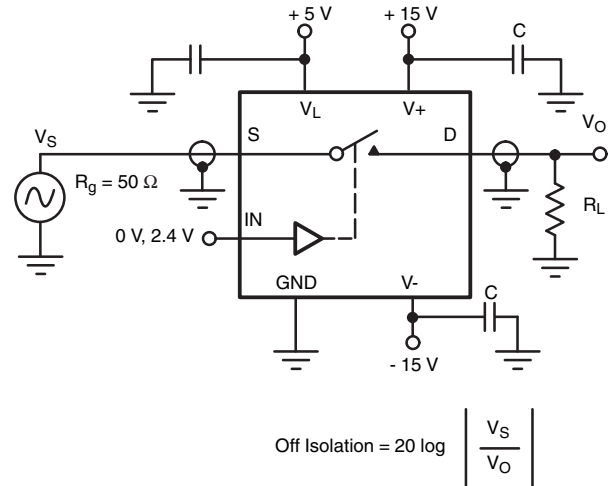


Fig. 3 - Charge Injection

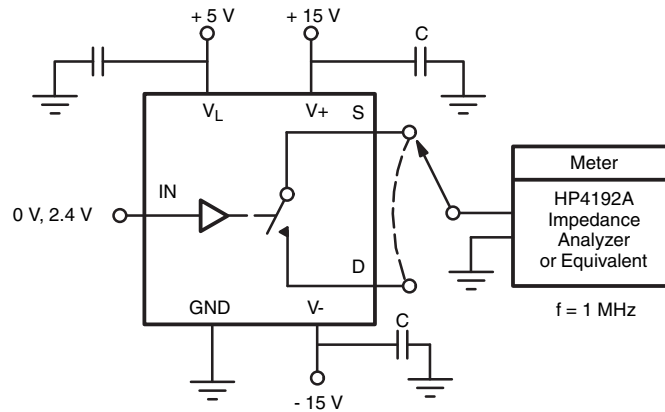
**TEST CIRCUITS**



**Fig. 4 - Crosstalk**

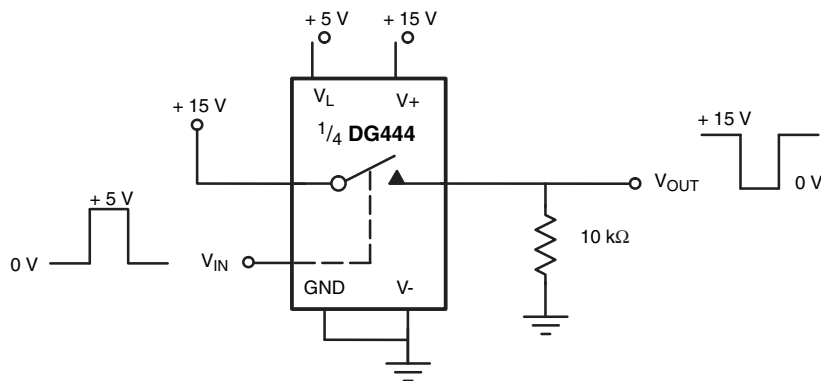


**Fig. 5 - Off Isolation**



**Fig. 6 - Source/Drain Capacitances**

**APPLICATIONS**



**Fig. 7 - Level Shifter**

APPLICATIONS



Fig. 8 - Precision-Weighted Resistor Programmable-Gain Amplifier



Fig. 9 - Precision Sample-and-Hold

Vishay Siliconix maintains worldwide manufacturing capability. Products may be manufactured at one of several qualified locations. Reliability data for Silicon Technology and Package Reliability represent a composite of all qualified locations. For related documents such as package/tape drawings, part marking, and reliability data, see [www.vishay.com/ppg?70054](http://www.vishay.com/ppg?70054).





**SOIC (NARROW): 16-LEAD**  
JEDEC Part Number: MS-012



Dim	MILLIMETERS		INCHES	
	Min	Max	Min	Max
A	1.35	1.75	0.053	0.069
A <sub>1</sub>	0.10	0.20	0.004	0.008
B	0.38	0.51	0.015	0.020
C	0.18	0.23	0.007	0.009
D	9.80	10.00	0.385	0.393
E	3.80	4.00	0.149	0.157
e	1.27 BSC		0.050 BSC	
H	5.80	6.20	0.228	0.244
L	0.50	0.93	0.020	0.037
∅	0°	8°	0°	8°

ECN: S-03946—Rev. F, 09-Jul-01  
DWG: 5300



### PDIP: 16-LEAD



Dim	MILLIMETERS		INCHES	
	Min	Max	Min	Max
<b>A</b>	3.81	5.08	0.150	0.200
<b>A<sub>1</sub></b>	0.38	1.27	0.015	0.050
<b>B</b>	0.38	0.51	0.015	0.020
<b>B<sub>1</sub></b>	0.89	1.65	0.035	0.065
<b>C</b>	0.20	0.30	0.008	0.012
<b>D</b>	18.93	21.33	0.745	0.840
<b>E</b>	7.62	8.26	0.300	0.325
<b>E<sub>1</sub></b>	5.59	7.11	0.220	0.280
<b>e<sub>1</sub></b>	2.29	2.79	0.090	0.110
<b>e<sub>A</sub></b>	7.37	7.87	0.290	0.310
<b>L</b>	2.79	3.81	0.110	0.150
<b>Q<sub>1</sub></b>	1.27	2.03	0.050	0.080
<b>S</b>	0.38	1.52	.015	0.060

ECN: S-03946—Rev. D, 09-Jul-01  
DWG: 5482

## RECOMMENDED MINIMUM PADS FOR SO-16



Recommended Minimum Pads  
Dimensions in Inches/(mm)

[Return to Index](#)



## **Disclaimer**

ALL PRODUCT, PRODUCT SPECIFICATIONS AND DATA ARE SUBJECT TO CHANGE WITHOUT NOTICE TO IMPROVE RELIABILITY, FUNCTION OR DESIGN OR OTHERWISE.

Vishay Intertechnology, Inc., its affiliates, agents, and employees, and all persons acting on its or their behalf (collectively, "Vishay"), disclaim any and all liability for any errors, inaccuracies or incompleteness contained in any datasheet or in any other disclosure relating to any product.

Vishay makes no warranty, representation or guarantee regarding the suitability of the products for any particular purpose or the continuing production of any product. To the maximum extent permitted by applicable law, Vishay disclaims (i) any and all liability arising out of the application or use of any product, (ii) any and all liability, including without limitation special, consequential or incidental damages, and (iii) any and all implied warranties, including warranties of fitness for particular purpose, non-infringement and merchantability.

Statements regarding the suitability of products for certain types of applications are based on Vishay's knowledge of typical requirements that are often placed on Vishay products in generic applications. Such statements are not binding statements about the suitability of products for a particular application. It is the customer's responsibility to validate that a particular product with the properties described in the product specification is suitable for use in a particular application. Parameters provided in datasheets and / or specifications may vary in different applications and performance may vary over time. All operating parameters, including typical parameters, must be validated for each customer application by the customer's technical experts. Product specifications do not expand or otherwise modify Vishay's terms and conditions of purchase, including but not limited to the warranty expressed therein.

Except as expressly indicated in writing, Vishay products are not designed for use in medical, life-saving, or life-sustaining applications or for any other application in which the failure of the Vishay product could result in personal injury or death. Customers using or selling Vishay products not expressly indicated for use in such applications do so at their own risk. Please contact authorized Vishay personnel to obtain written terms and conditions regarding products designed for such applications.

No license, express or implied, by estoppel or otherwise, to any intellectual property rights is granted by this document or by any conduct of Vishay. Product names and markings noted herein may be trademarks of their respective owners.