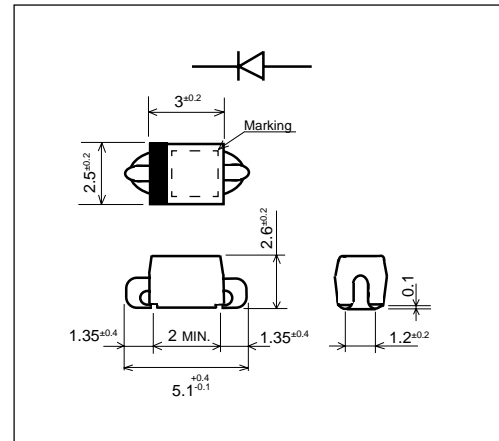


SC321 (1.0A)

(200V / 1.0A)

FAST RECOVERY DIODE

Outline drawings, mm



Features

- Surface mount device
- High voltage by mesa design
- High reliability

Applications

- High speed switching

Maximum ratings and characteristics

- Absolute maximum ratings

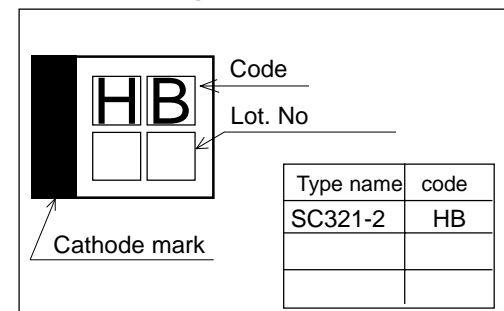
Item	Symbol	Conditions	Rating	Unit
			-02	
Repetitive peak reverse voltage	V_{RRM}		200	V
Non-repetitive peak reverse voltage	V_{RSM}		200	V
Average output current	I_o	Resistive load ($T_a=25^\circ\text{C}$)	1.0*	A
Surge current	I_{FSM}	Sine wave 10ms	40	A
Operating junction temperature	T_j		-40 to +150	$^\circ\text{C}$
Storage temperature	T_{stg}		-40 to +150	$^\circ\text{C}$

*Mounted to glass fabric base epoxy resin printed circuits, land (15mm x 15mm)

- Electrical characteristics ($T_a=25^\circ\text{C}$ Unless otherwise specified)

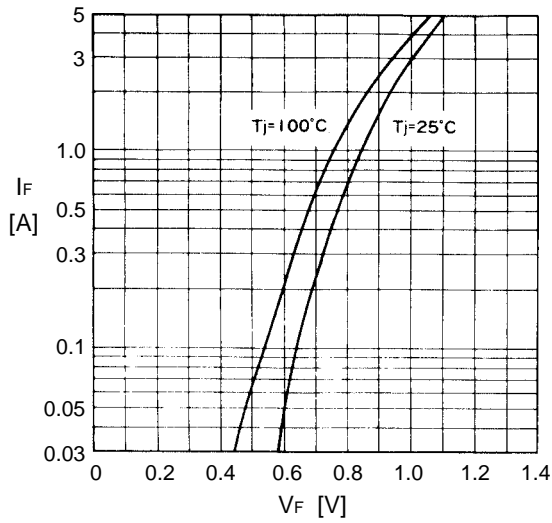
Item	Symbol	Conditions	Max.	Unit
Forward voltage drop	V_{FM}	$I_{FM}=1.0\text{A}$	1.05	V
Reverse current	I_{RRM}	$V_R=V_{RRM}$	50	μA
Reverse recovery time	t_{rr}	$I_F=0.1\text{A}, I_R=0.1\text{A}$	100	ns
Thermal resistance	$R_{th(j-a)}$	Junction to ambient	120*	$^\circ\text{C/W}$

Marking

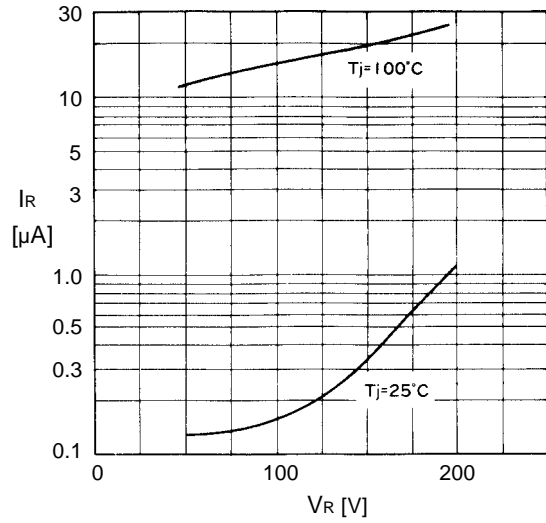


■ Characteristics

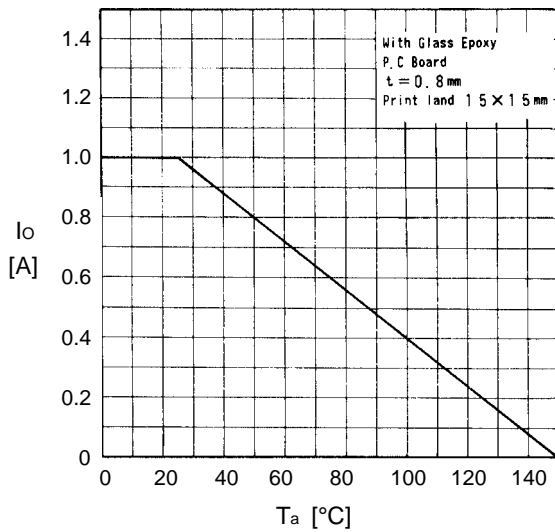
Forward characteristics



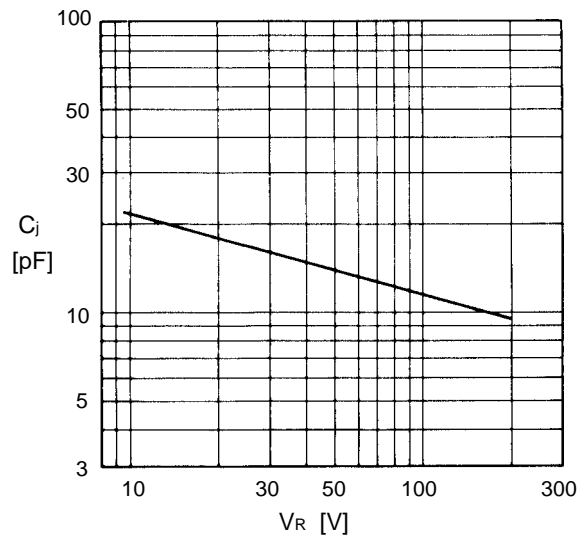
Reverse characteristics



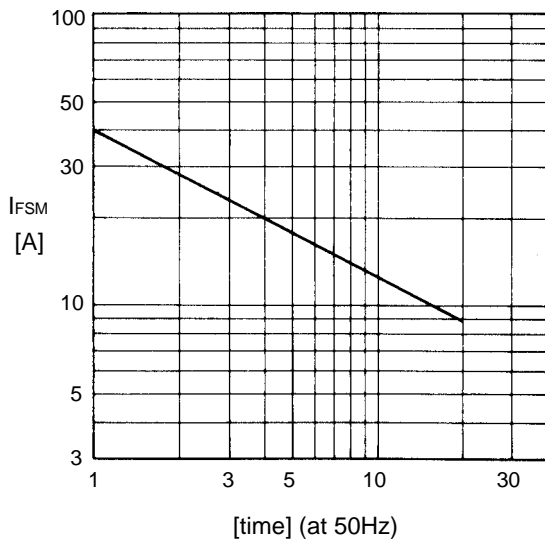
Current derating ($I_o - T_a$)



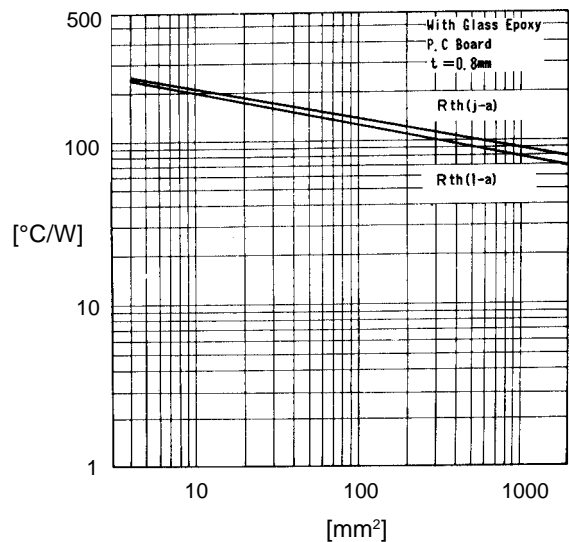
Junction capacitance characteristics

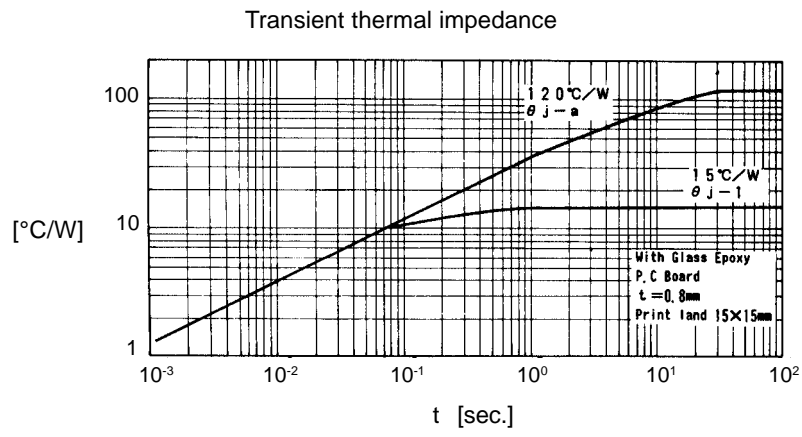


Surge capability



Thermal resistance print land





This datasheet has been downloaded from:

www.DatasheetCatalog.com

Datasheets for electronic components.