

## Silicon PNP Power Transistors

2SA490

**DESCRIPTION**

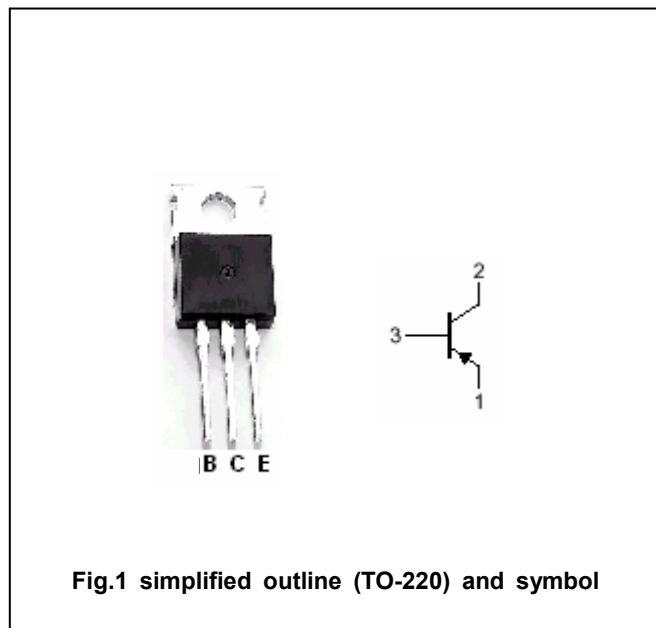
- With TO-220 package
- Complement to type 2SC790

**APPLICATIONS**

- For power amplifier applications

**PINNING**

PIN	DESCRIPTION
1	Emitter
2	Collector;connected to mounting base
3	Base

**Absolute maximum ratings(Ta=25□)**

SYMBOL	PARAMETER	CONDITIONS	VALUE	UNIT
V <sub>CBO</sub>	Collector-base voltage	Open emitter	-50	V
V <sub>CEO</sub>	Collector-emitter voltage	Open base	-40	V
V <sub>EBO</sub>	Emitter-base voltage	Open collector	-5	V
I <sub>C</sub>	Collector current		-3	A
I <sub>E</sub>	Emitter current		3	A
P <sub>C</sub>	Collector power dissipation	T <sub>C</sub> =25□	25	W
T <sub>j</sub>	Junction temperature		150	□
T <sub>stg</sub>	Storage temperature		-55~150	□

## Silicon PNP Power Transistors

## 2SA490

## CHARACTERISTICS

T<sub>j</sub>=25°C unless otherwise specified

SYMBOL	PARAMETER	CONDITIONS	MIN	TYP.	MAX	UNIT
V <sub>(BR)CEO</sub>	Collector-emitter breakdown voltage	I <sub>C</sub> =-50mA, I <sub>B</sub> =0	-40			V
V <sub>(BR)EBO</sub>	Emitter-base breakdown voltage	I <sub>E</sub> =-10mA; I <sub>C</sub> =0	-5			V
V <sub>CEsat</sub>	Collector-emitter saturation voltage	I <sub>C</sub> =-2A; I <sub>B</sub> =-0.2A		-0.45	-1.2	V
V <sub>BE</sub>	Base-emitter voltage	I <sub>C</sub> =-2A; V <sub>CE</sub> =-2V		-0.85	-1.8	V
I <sub>CBO</sub>	Collector cut-off current	V <sub>CB</sub> =-30V; I <sub>E</sub> =0			-10	μA
I <sub>EBO</sub>	Emitter cut-off current	V <sub>EB</sub> =-5V; I <sub>C</sub> =0			-100	μA
h <sub>FE-1</sub>	DC current gain	I <sub>C</sub> =-0.5A; V <sub>CE</sub> =-2V	40		240	
h <sub>FE-2</sub>	DC current gain	I <sub>C</sub> =-2A; V <sub>CE</sub> =-2V	13	50		
C <sub>OB</sub>	Collector output capacitance	I <sub>E</sub> =0; V <sub>CB</sub> =-10V; f=1MHz		150		pF
f <sub>T</sub>	Transition frequency	I <sub>C</sub> =-0.5A; V <sub>CE</sub> =-2V	3			MHz

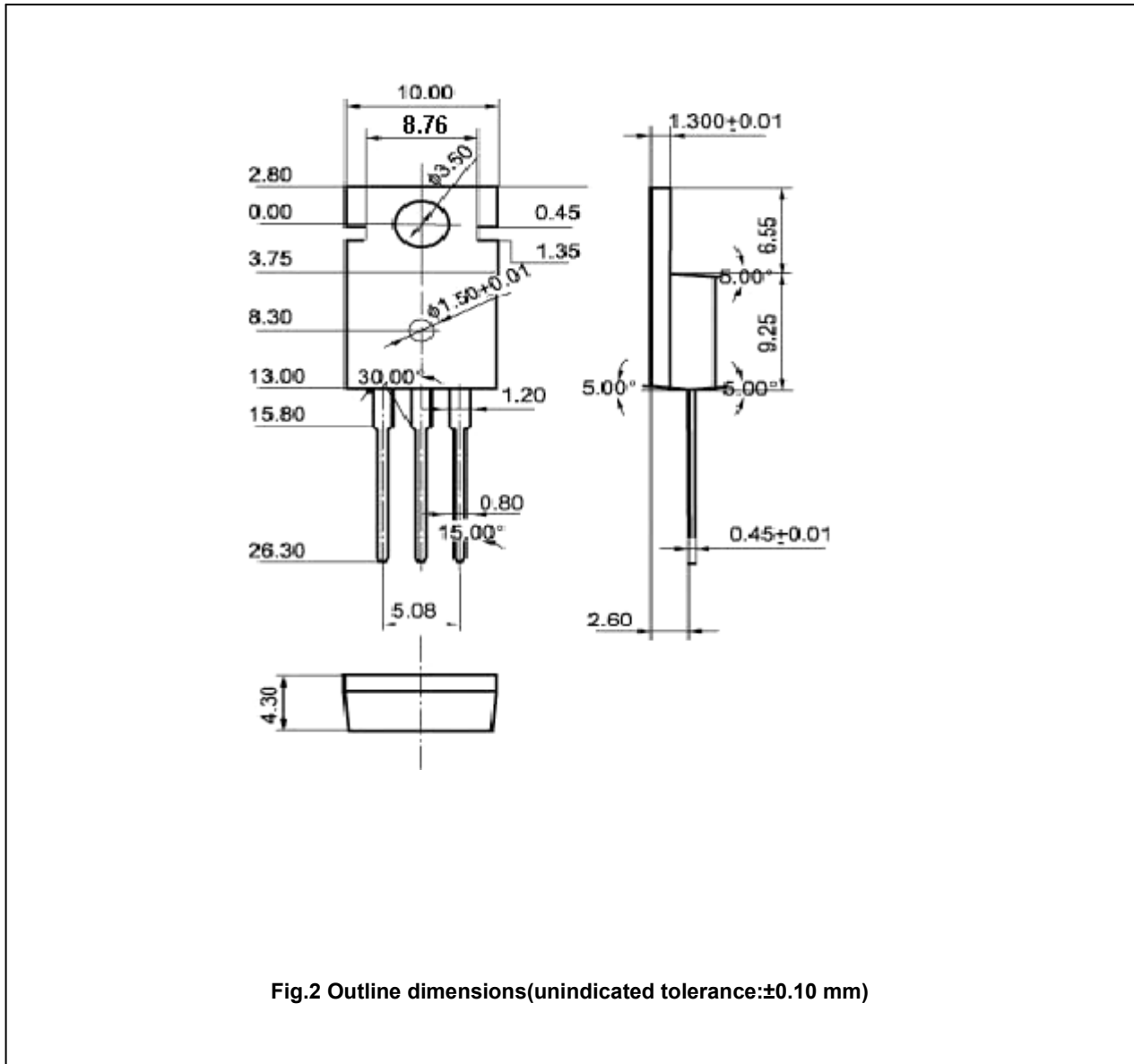
◆ h<sub>FE-1</sub> Classifications

R	O	Y
40-80	70-140	120-240

Silicon PNP Power Transistors

2SA490

PACKAGE OUTLINE



This datasheet has been downloaded from:

[www.DatasheetCatalog.com](http://www.DatasheetCatalog.com)

Datasheets for electronic components.