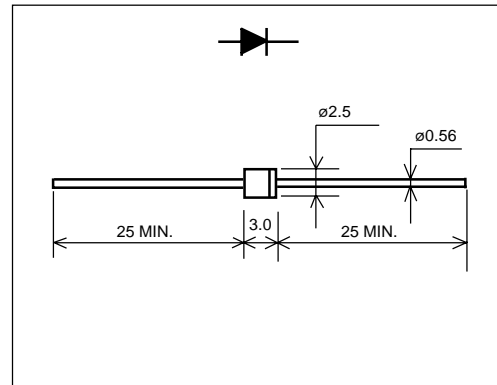


SCHOTTKY BARRIER DIODE

Outline drawings, mm



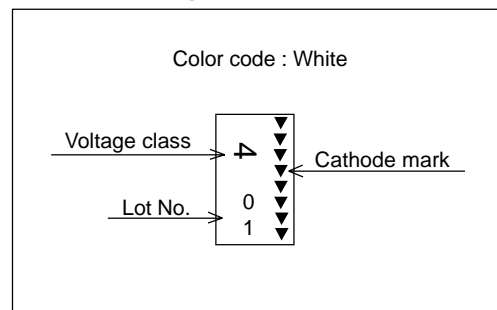
Features

- Low V_F
- Super high speed switching
- High reliability by planer design
- Ultra small package, possible for 5mm pitch automatic insertion

Applications

- High speed switching

Marking



Maximum ratings and characteristics

- Absolute maximum ratings

| Item | Symbol | Conditions | Rating | Unit |
|-------------------------------------|-------------|--|-------------|------------|
| Repetitive peak reverse voltage | V_{RRM} | | 40 | V |
| Non-repetitive peak reverse voltage | V_{RSM} | $t_w=500ns$, $duty=1/40$ | 48 | V |
| Average forward current | $I_{F(AV)}$ | Square wave, $duty=1/2$ $T_I=115^\circ C$ | 1.0* | A |
| Surge current | I_{FSM} | Sine wave 10ms | 50 | A |
| Operating junction temperature | T_j | | -40 to +150 | $^\circ C$ |
| Storage temperature | T_{stg} | | -40 to +150 | $^\circ C$ |

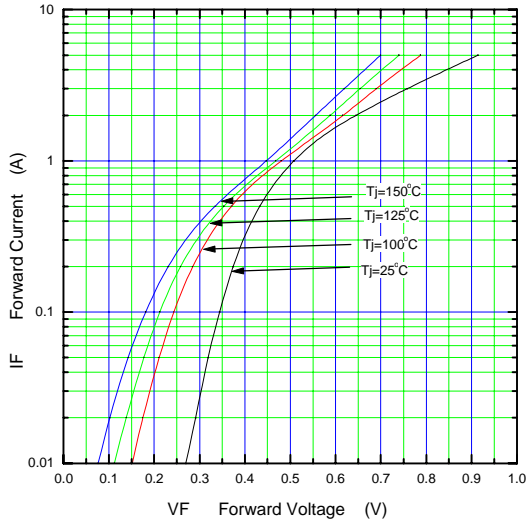
* Mounted on printed circuit board (10 x 10mm)

- Electrical characteristics ($T_a=25^\circ C$ Unless otherwise specified)

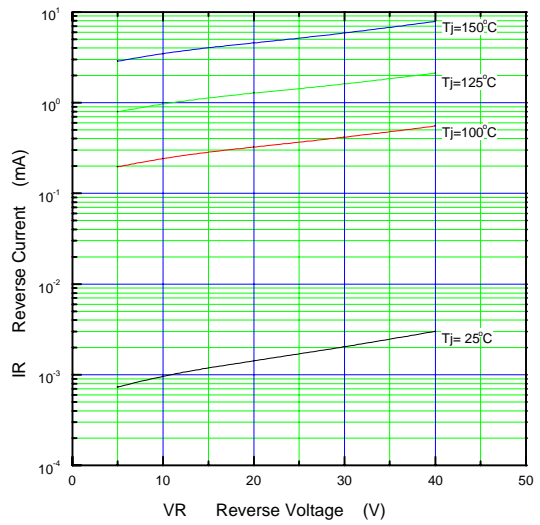
| Item | Symbol | Conditions | Max. | Unit |
|----------------------|-----------|---------------|------|------|
| Forward voltage drop | V_{FM} | $I_{FM}=1A$ | 0.55 | V |
| Reverse current | I_{RRM} | $V_R=V_{RRM}$ | 2.0 | mA |

■ Characteristics

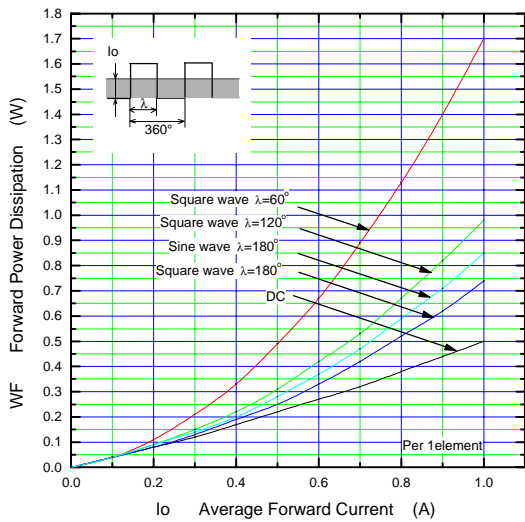
Forward Characteristic (typ.)



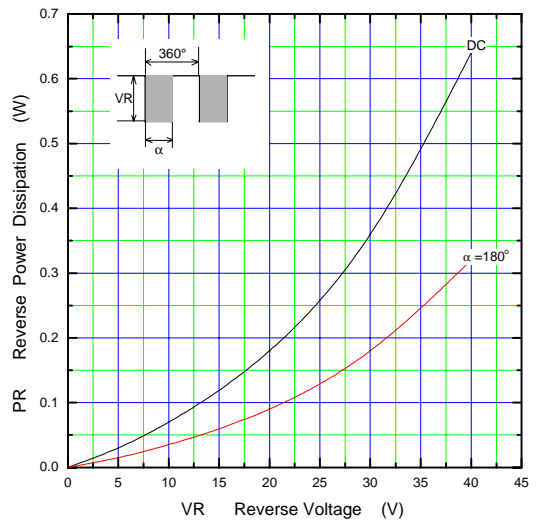
Reverse Characteristic (typ.)



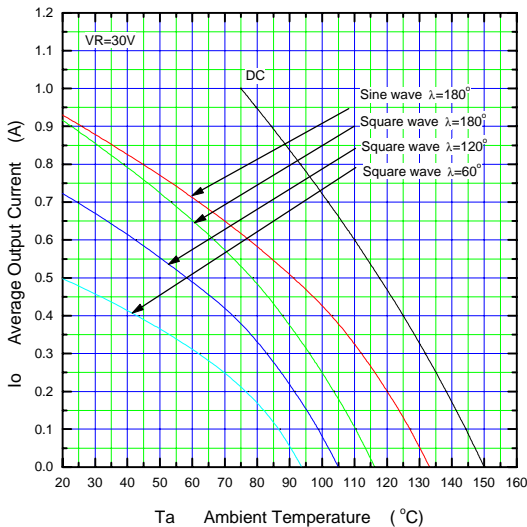
Forward Power Dissipation



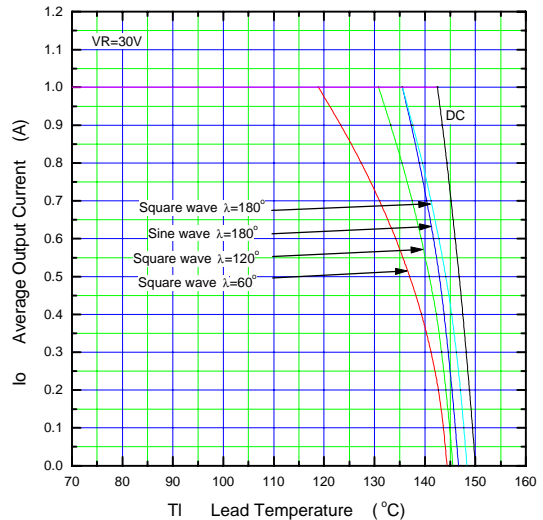
Reverse Power Dissipation



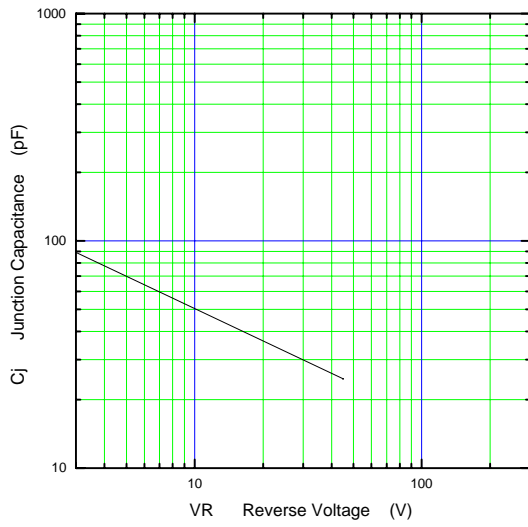
Current Derating (Io-Ta)



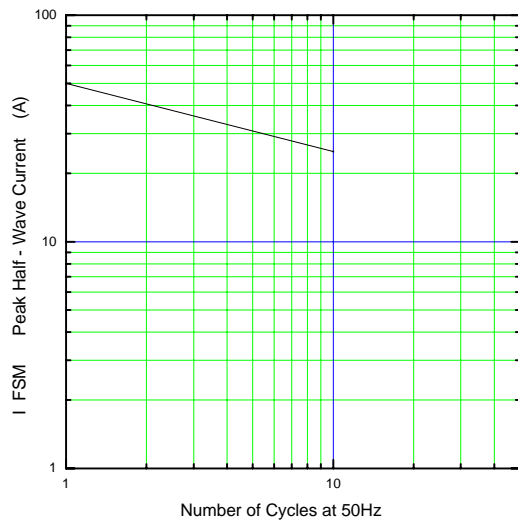
Current Derating (Io-Tl)



Junction Capacitance Characteristic (typ.)



Surge Capability



Transient Thermal Impedance

