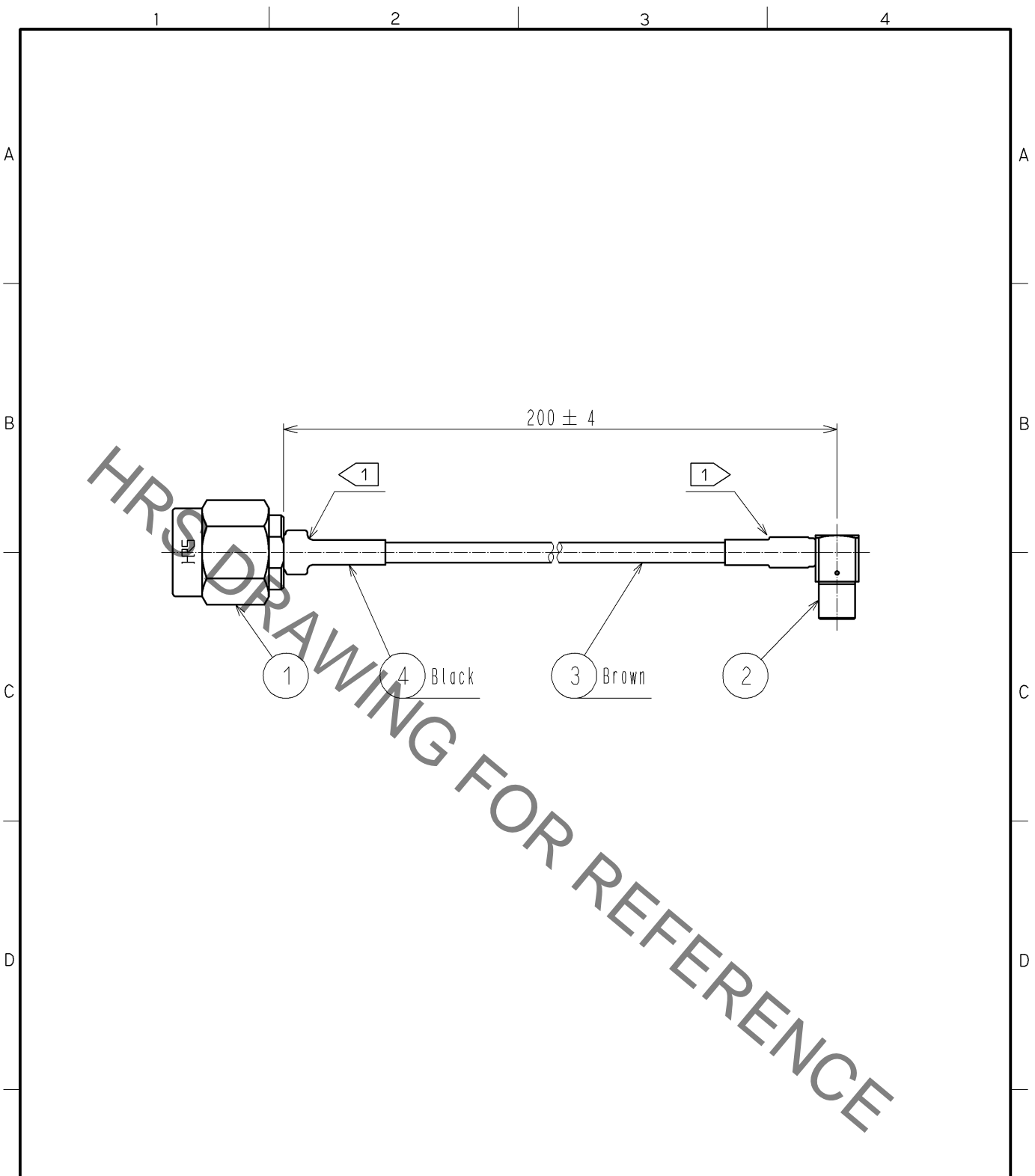


Jul.1.2022 Copyright 2022 HIROSE ELECTRIC CO., LTD. All Rights Reserved.
 In case of consideration for using Automotive equipment / device which demand high reliability, kindly contact our sales window correspondents.



NOTE 1 Do not apply any excessive stress to the cable assembly position.

RoHS COMPLIANT

2	ML51-LP-DTR178-D(40)	CL337-0054-0-40	4	HEAT SHRINK TUBING	Sumitomo Electric, Ltd.
1	HRM-100-18B(40)	CL323-0442-7-40	3	DTR178	Junkosha Inc.
NO.	PART NO.	CODE NO.	NO.	PART NO.	MANUFACTURER

UNITS mm		SCALE FREE	COUNT 	DESCRIPTION OF REVISIONS	DESIGNED	CHECKED	DATE
-------------	--	---------------	-----------	--------------------------	----------	---------	------

HIROSE ELECTRIC CO., LTD.	APPROVED : KY. SHIMIZU	14. 09. 27	DRAWING NO.	EDC4-326875-06	
	CHECKED : KY. SHIMIZU	14. 09. 27	PART NO.	HRMP-ML51LP-DTR178-200RS	
	DESIGNED : YI. FUNADA	14. 09. 25	CODE NO.	CL321-4926-2-06	
	DRAWN : YI. FUNADA	14. 09. 25			1/1