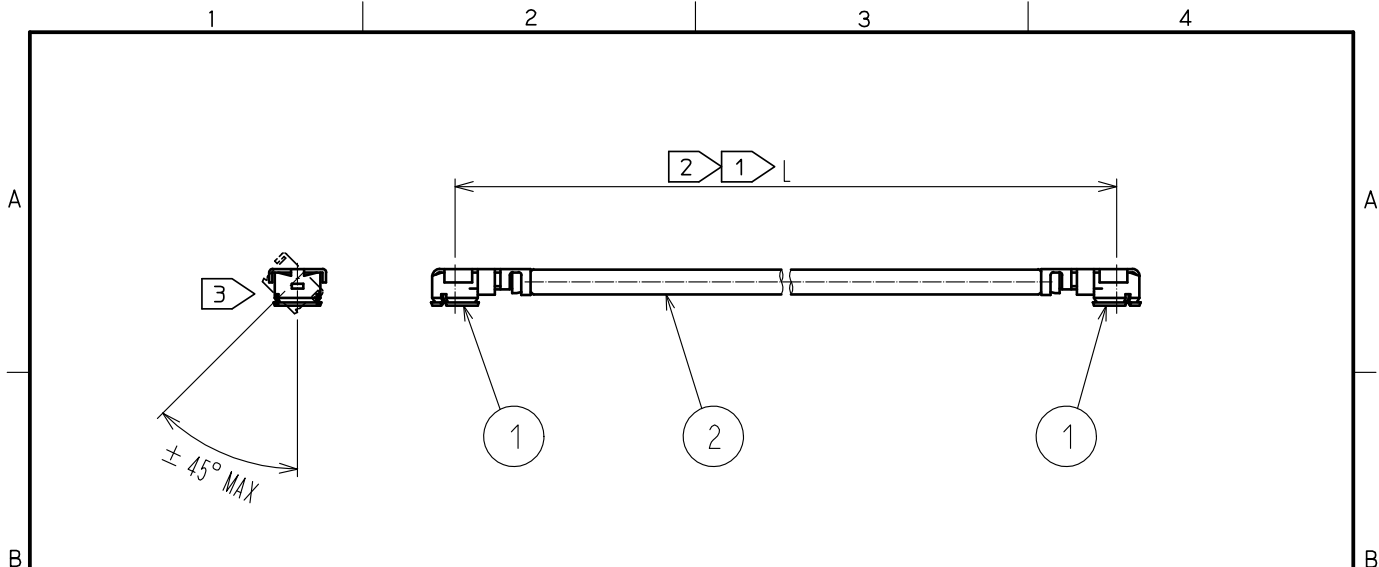


Aug.1.2022 Copyright 2022 HIROSE ELECTRIC CO., LTD. All Rights Reserved.  
 In case of consideration for using Automotive equipment / device which demand high reliability, kindly contact our sales window correspondents.



Part No.	Cable color
~066*1~	GRAY
~066*2~	BLACK



NOTE ① We indicate the length of the harness on the last of product name. 'L' part.

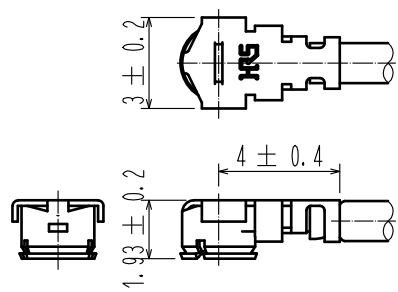
② Tolerance for [ L ]

Length L [mm]	Tolerance [mm]
35 ≦ L ≦ 200	±4
200 < L ≦ 500	±8
500 < L ≦ 1000	±12
1000 < L	±1.5%

③ Connector rotation angle is within ±45 degree from the above image.  
 For long length in the case of L>500, the angle is optional.

4. Specifications are subject to change without notice.

【 DIMENSIONS OF CONNECTOR 】



1	U. FL-LP-066HF	CL331-0558-6	2	1.32 Dia. coaxial cable
NO.	PART NO.	CODE NO.	NO.	PART NO.

HALOGEN FREE

UNITS mm	SCALE FREE	COUNT	DESCRIPTION OF REVISIONS	DESIGNED	CHECKED	DATE
		1	DIS-D-00003255	MS. MATSUMOTO	MT. KANEKO	18. 06. 19

HIROSE ELECTRIC CO., LTD.	APPROVED	·NK. NINOMIYA	16. 07. 25	DRAWING NO.	U. FL-2LPHF6-066** - A-L
	CHECKED	·MT. KANEKO	16. 07. 25	PART NO.	
	DESIGNED	·MS. MATSUMOTO	16. 07. 25	CODE NO.	
	DRAWN	·MS. MATSUMOTO	16. 07. 25	NO.	