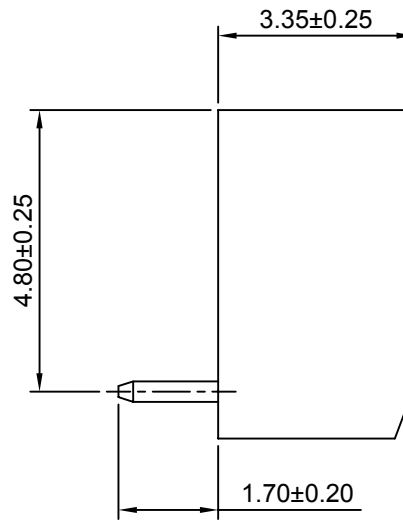
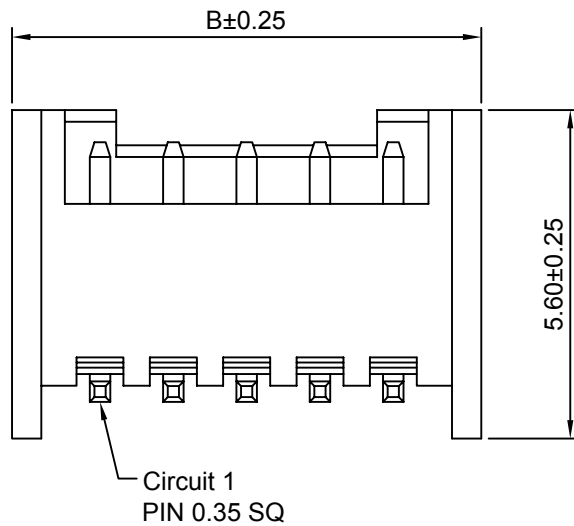


SPECIFICATIONS:

Current Rating: 1A AC,DC
 Voltage Rating: 200V AC,DC
 Temperature Range: -40°C ~ +105°C
 Contact Resistance: 20mΩ Max.
 Insulation Resistance: 100MΩ Min.
 Withstanding Voltage: 500V AC/minute
 Pin Material: Brass/Tin over Nickel
 Material: Nylon 66,UL94V-0(Reddish brown)

Ordering Information & Dimensions

Circuits	Dimensions(mm)		Circuits	Dimensions(mm)	
	A	B		A	B
2P	1.25	4.25	9P	10.00	13.00
3P	2.50	5.50	10P	11.25	14.25
4P	3.75	6.75	11P	12.50	15.50
5P	5.00	8.00	12P	13.75	16.75
6P	6.25	9.25	13P	15.00	18.00
7P	7.50	10.50	14P	16.25	19.25
8P	8.75	11.75	15P	17.50	20.50



CHANGJIANG CONNECTORS CO.,LTD.

Unit	Scale	Sheet
mm	8:1	1 of 1

Draw BY:	Approved :
LIZQ	GONGYB

General Tolerance

x.xx≤0.25	ANGLE±
x.xxx≤0.20	
x.xxxx≤0.15	

Title :
1.25mm PITCH
90° WAFER

DRAW NO : **A1253WR-XP** REV **A0**

A0	NEW RELEEASE	2005.05.10
REV	DESCRIPTION	DATE