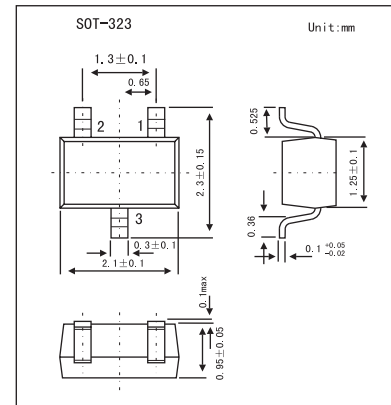


## Schottky barrier (double) diodes

**BAT854W;BAT854AW**  
**BAT854CW;BAT854SW**

### ■ Features

- Very low forward voltage
- Very low reverse current
- Guard ring protected
- Very small SMD package.



### ■ Absolute Maximum Ratings $T_a = 25^\circ\text{C}$

Parameter	Symbol	Conditions	Min	Max	Unit
Continuous reverse voltage	$V_R$			40	V
Continuous forward current	$I_F$			200	mA
Repetitive peak forward current	$I_{FRM}$	$t_p \leq 1 \text{ s}; d \leq 0.5$		300	mA
Non-repetitive peak forward current	$I_{FSM}$	$t = 8.3 \text{ ms}$ half sinewave; JEDEC method		1	A
Storage temperature	$T_{stg}$		-65	+150	$^\circ\text{C}$
Junction temperature	$T_j$			150	$^\circ\text{C}$
Operating ambient temperature	$T_{amb}$		-65	+150	$^\circ\text{C}$
Thermal resistance from junction to ambient	$R_{th(j-a)}$			625	K/W

### ■ Electrical Characteristics $T_a = 25^\circ\text{C}$

Parameter	Symbol	Conditions	Typ	Max	Unit
Forward voltage	$V_F$	$I_F = 0.1 \text{ mA}$	200		mV
		$I_F = 1 \text{ mA}$	260		
		$I_F = 10 \text{ mA}$	340		
		$I_F = 30 \text{ mA}$		420	
		$I_F = 100 \text{ mA}$		550	
Continuous reverse current	$I_R$	$V_R = 25 \text{ V}$ ; Note 1		0.5	$\mu\text{A}$
Diode capacitance	$C_d$	$f = 1 \text{ MHz}; V_R = 1 \text{ V}$		20	pF

Note

1. Pulse test:  $t_p < 300 \mu\text{s}$ ;  $\delta \leq 0.02$ .

### ■ Marking

Type	BTA854W	BAT854AW	BAT854CW	BAT854SW
Marking	81	82	83	84