



KERSEMI

MBR830 - MBR860

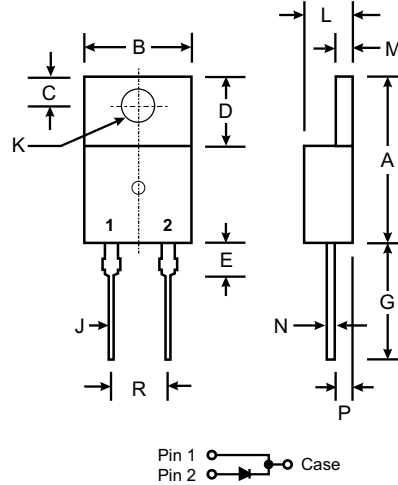
8.0A SCHOTTKY BARRIER RECTIFIER

Features

- Schottky Barrier Chip
- Guard Ring Die Construction for Transient Protection
- Low Power Loss, High Efficiency
- High Surge Capability
- High Current Capability and Low Forward Voltage Drop
- For Use in Low Voltage, High Frequency Inverters, Free Wheeling, and Polarity Protection Application
- Plastic Material: UL Flammability Classification Rating 94V-0

Mechanical Data

- Case: Molded Plastic
- Terminals: Plated Leads Solderable per MIL-STD-202, Method 208
- Polarity: See Diagram
- Weight: 2.24 grams (approx.)
- Mounting Position: Any
- Marking: Type Number



TO-220AC		
Dim	Min	Max
A	14.22	15.88
B	9.65	10.67
C	2.54	3.43
D	5.84	6.86
E	—	6.35
G	12.70	14.73
J	0.51	1.14
K	3.53 \varnothing	4.09 \varnothing
L	3.56	4.83
M	1.14	1.40
N	0.30	0.64
P	2.03	2.92
R	4.83	5.33
All Dimensions in mm		

Maximum Ratings and Electrical Characteristics @ T_A = 25°C unless otherwise specified

Single phase, half wave, 60Hz, resistive or inductive load.
For capacitive load, derate current by 20%.

Characteristic	Symbol	MBR 830	MBR 835	MBR 840	MBR 845	MBR 850	MBR 860	Unit
Peak Repetitive Reverse Voltage	V _{RRM}	30	35	40	45	50	60	V
Working Peak Reverse Voltage	V _{RWM}							
DC Blocking Voltage	V _R							
RMS Reverse Voltage	V _{R(RMS)}	21	24.5	28	31.5	35	42	V
Average Rectified Output Current (Note 1)	I _o	8.0						A
		@ T _C = 125°C						
Non-Repetitive Peak Forward Surge Current	I _{FSM}	150						A
		8.3ms single half sine-wave superimposed on rated load (JEDEC Method)						
Repetitive Peak Reverse Surge Current	I _{RRM}	1.0						A
		@ t ≤ 2.0μs						
Forward Voltage Drop	V _{FM}		0.57			0.70		V
		@ I _F = 8.0A, T _C = 125°C				@ I _F = 8.0A, T _C = 25°C		
		@ I _F = 16A, T _C = 25°C				0.80		
						0.95		
Peak Reverse Current	I _{RM}	0.1						mA
		@ T _C = 25°C						
		@ T _C = 125°C						
Typical Junction Capacitance (Note 2)	C _j	250						pF
Typical Thermal Resistance Junction to Case (Note 1)	R _{θJC}	3.0						K/W
Voltage Rate of Change (Rated V _R)	dV/dt	1000						V/μs
Operating and Storage Temperature Range	T _j , T _{STG}	-65 to +150						°C

- Notes: 1. Thermal resistance junction to case mounted on heatsink.
2. Measured at 1.0MHz and applied reverse voltage of 4.0V DC.

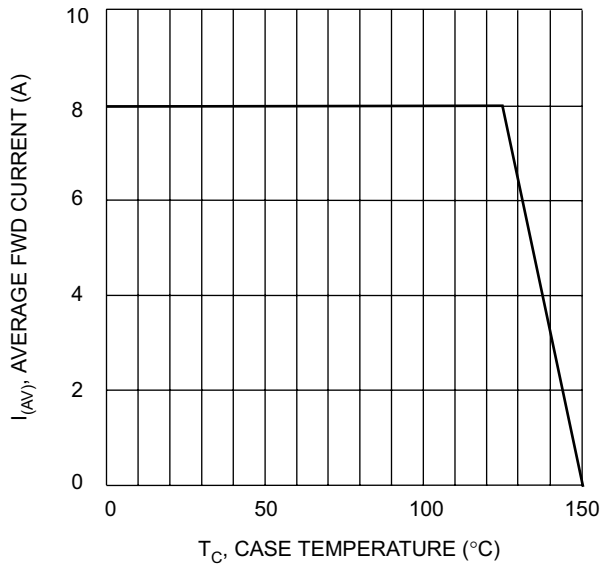


Fig. 1 Forward Current Derating Curve

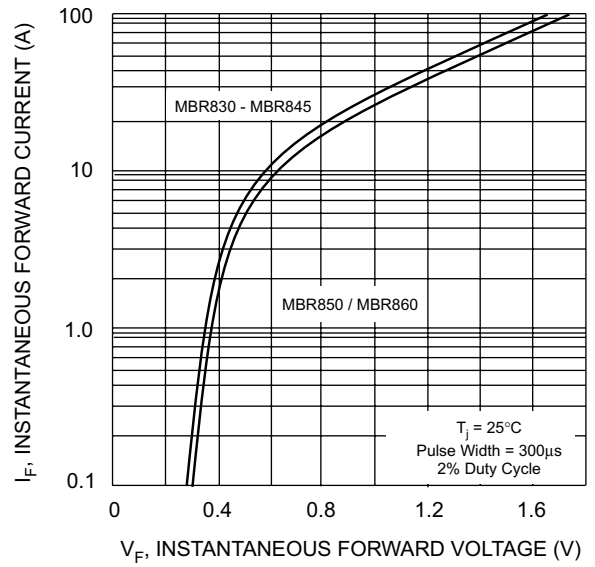


Fig. 2 Typical Forward Characteristics

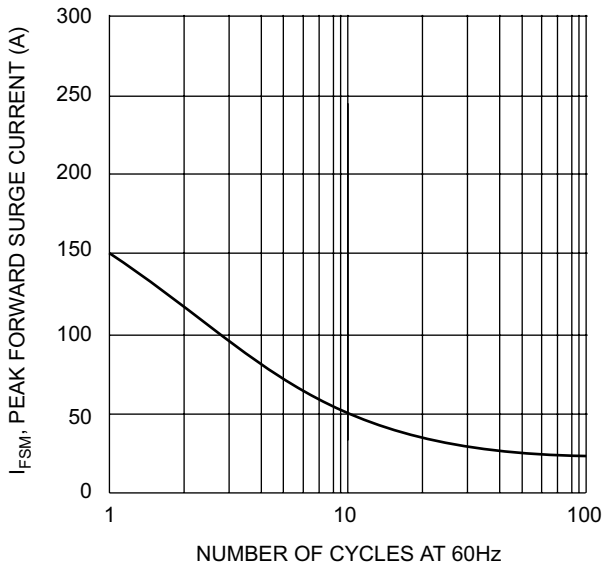


Fig. 3 Max Non-Repetitive Surge Current

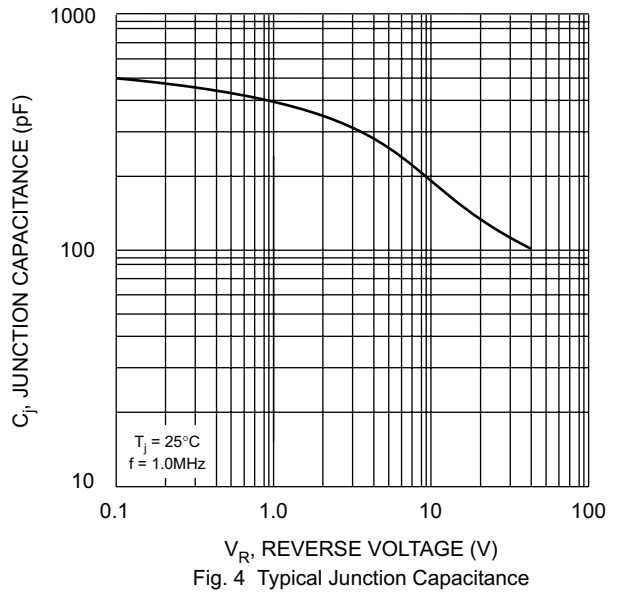


Fig. 4 Typical Junction Capacitance