



Frontier Electronics Corp.

667 E. COCHRAN STREET, SIMI VALLEY, CA 93065

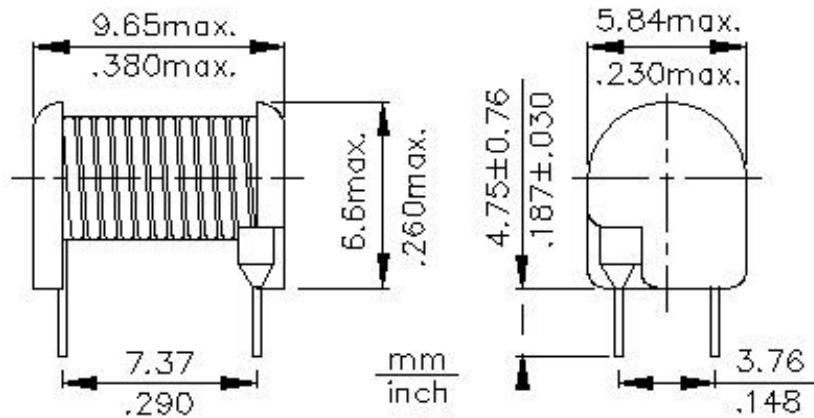
TEL: (805) 522-9998 FAX: (805) 522-9989

E-mail: frontiersales@frontierusa.com

Web: frontierusa.com

Insert Molded Coil—2901 series

A. Mechanical Drawing:



B. Electrical Specification:

Part No.	Wire	Turns	L ± 5 % (nH)	Q min.	Test Freq. (MHz)	Color
2901-01	22 T.C.	1.50	27.0	69	50	Brown
2901-02	22 T.C.	2.50	32.0	80	50	Red
2901-03	22 T.C.	3.50	38.5	82	50	Orange
2901-04	22 T.C.	4.50	47.5	82	50	Yellow
2901-05	22 T.C.	5.50	59.0	95	50	Green
2901-06	22 T.C.	6.50	70.0	100	50	Blue
2901-07	22 S.P.	7.50	87.0	90	25	Violet
2901-08	22 S.P.	8.50	104.0	92	25	Gray
2901-09	22 S.P.	9.50	125.0	80	25	White
2901-10	22 S.P.	10.50	140.0	80	25	Black

C. Features:

1. Plastic molded.
2. High reliability.
3. Low cost.

D. Measurement:

1. Q and L measured with ½" long of TCW#16 soldered along the coil leads and with one end flush with the bottom of the coil then bent ¼" down from stand off at an angle of 90°.
2. L min. measured with core halfway out of the top of the form.
3. Inductance greater than 0.1uH read at recommended Q meter frequency.
4. Inductance below 0.1uH calculated from readings taken at 50MHz.

E. Test equipment:

Q meter (HP 4342A)