

- Designed to meet IEEE 802.3ab requirement, including 350uH OCL with 8mA bias.
- Compliance with ROHS requirements.
- Operating temperature range: 0 to +70 .
- Storage temperature range: -25 to +85 .



**Electrical Specifications @ 25**

Part Number	Turns Ratio (±5%)		Cross talk (dB Min)			MECH	HI-POT (Vrms)
	TX	RX	0.3-30MHz	30-60MHz	60-100MHz		
LG1P109N LF	1CT:1CT	1CT:1CT	-40	-35	-30	LG1P	1500
LG1P109NB LF	1CT:1CT	1CT:1CT	-40	-35	-30	LG1P	1500
LG1P109RN LF	1CT:1CT	1CT:1CT	-40	-35	-30	LG1P	1500

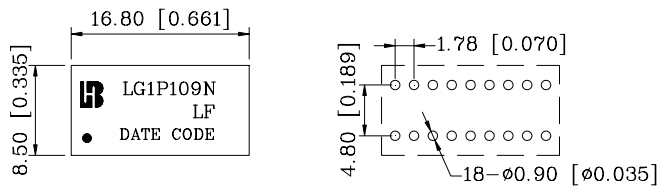
**Continue**

Part Number	Insertion Loss (dB Max)	Return Loss (dB Min)				CMR (dB Min)		
	1-100MHz	30MHz	50MHz	80MHz	1-30MHz	30-60MHz	60-125MHz	
LG1P109N LF	-1.1	-15	-13	-11	-30	-25	-20	
LG1P109NB LF	-1.1	-15	-13	-11	-30	-25	-20	
LG1P109RN LF	-1.1	-15	-13	-11	-30	-25	-20	

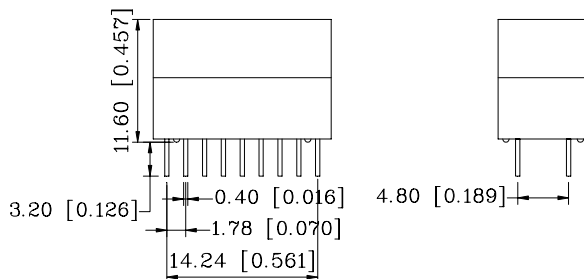
For customized parts or more detailed information, please log on [www.bothhandusa.com](http://www.bothhandusa.com) or write to [sales@bothhandusa.com](mailto:sales@bothhandusa.com)

**Mechanical**

**LG1PXX**



SUGGESTED PAD LAYOUT

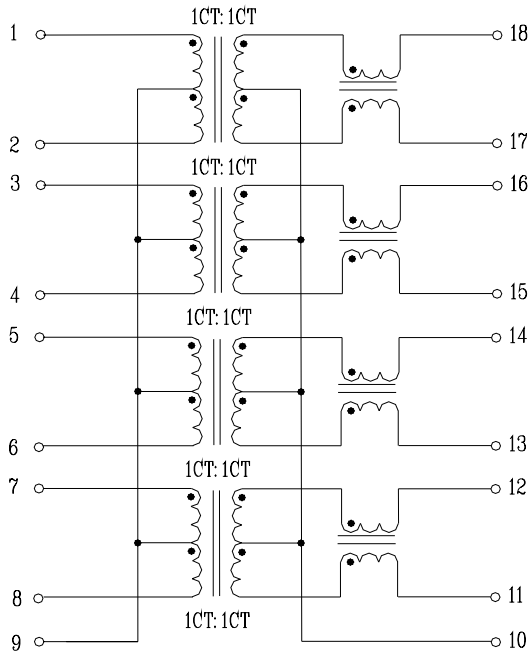


Units: mm [Inches] Tolerances : xx.x0±0.25 [0.010]  
0.xx±0.05 [0.002]

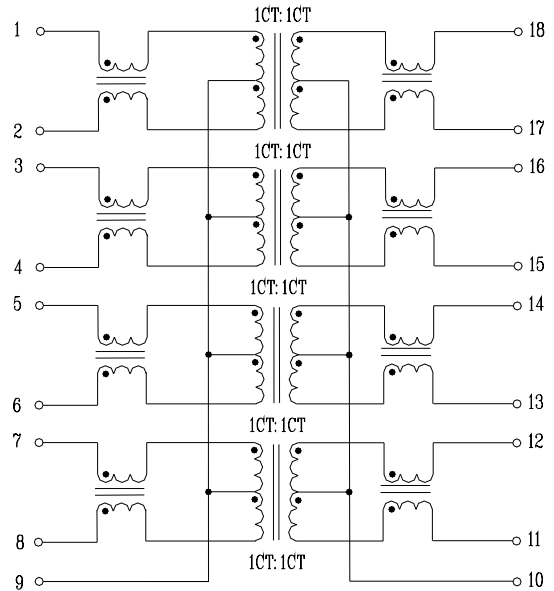
Specification	Packing Manner	Q'ty per Tube/Reel	Q'ty/ Inner box	Q'ty/ Carton
LG1P	TUBE	31	2170	4340

**Schematics**

**LG1P109N LF**



**LG1P109NB LF**



**G1P109RN LF**

