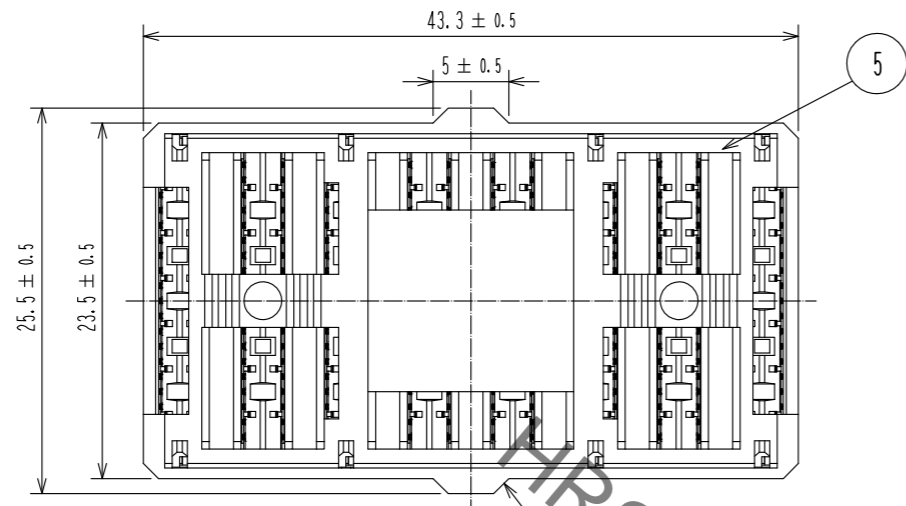


Aug.1.2022 Copyright 2022 HIROSE ELECTRIC CO., LTD. All Rights Reserved.  
In case of consideration for using Automotive equipment / device which demand high reliability, kindly contact our sales window correspondents.



Shape changed (cap: part No.5) ⚠

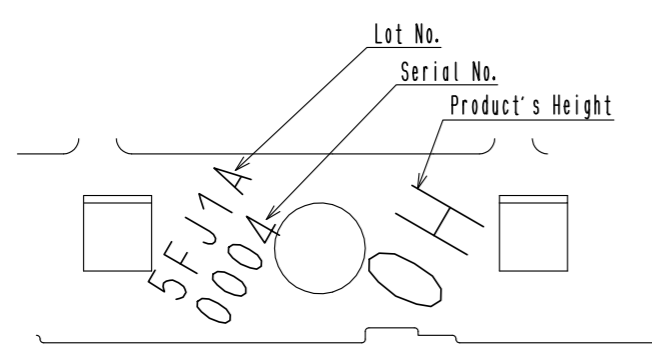
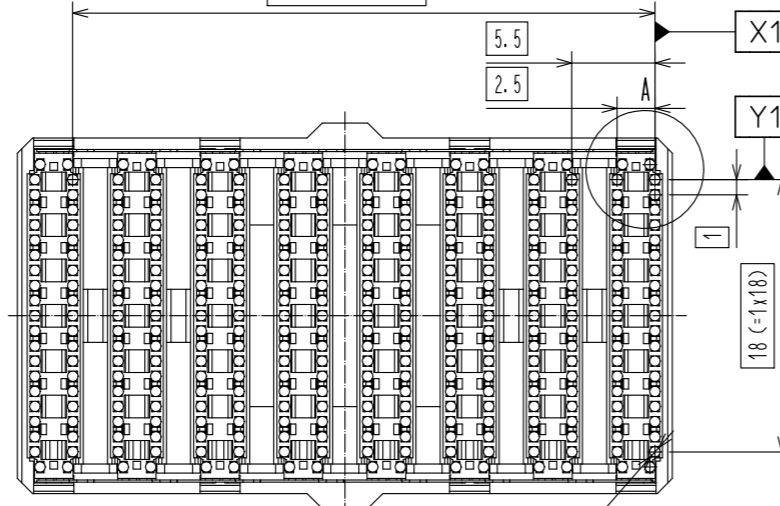
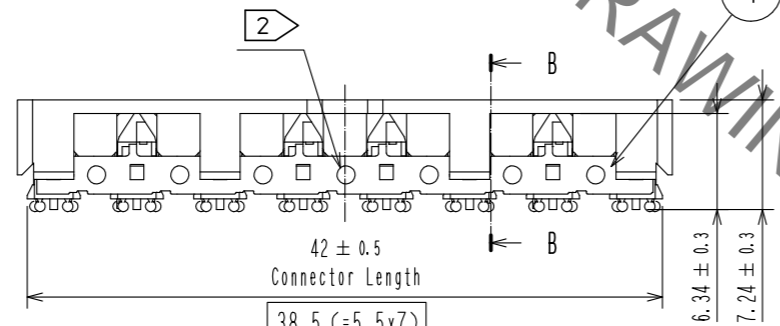
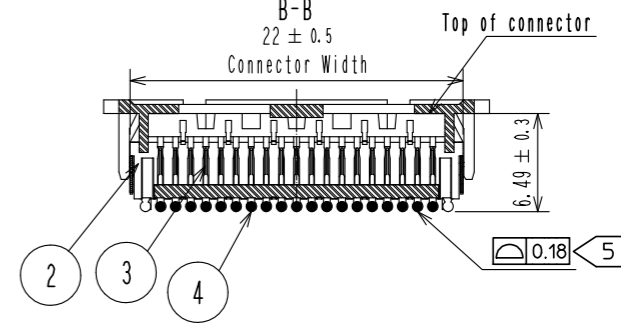
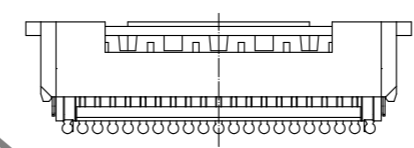
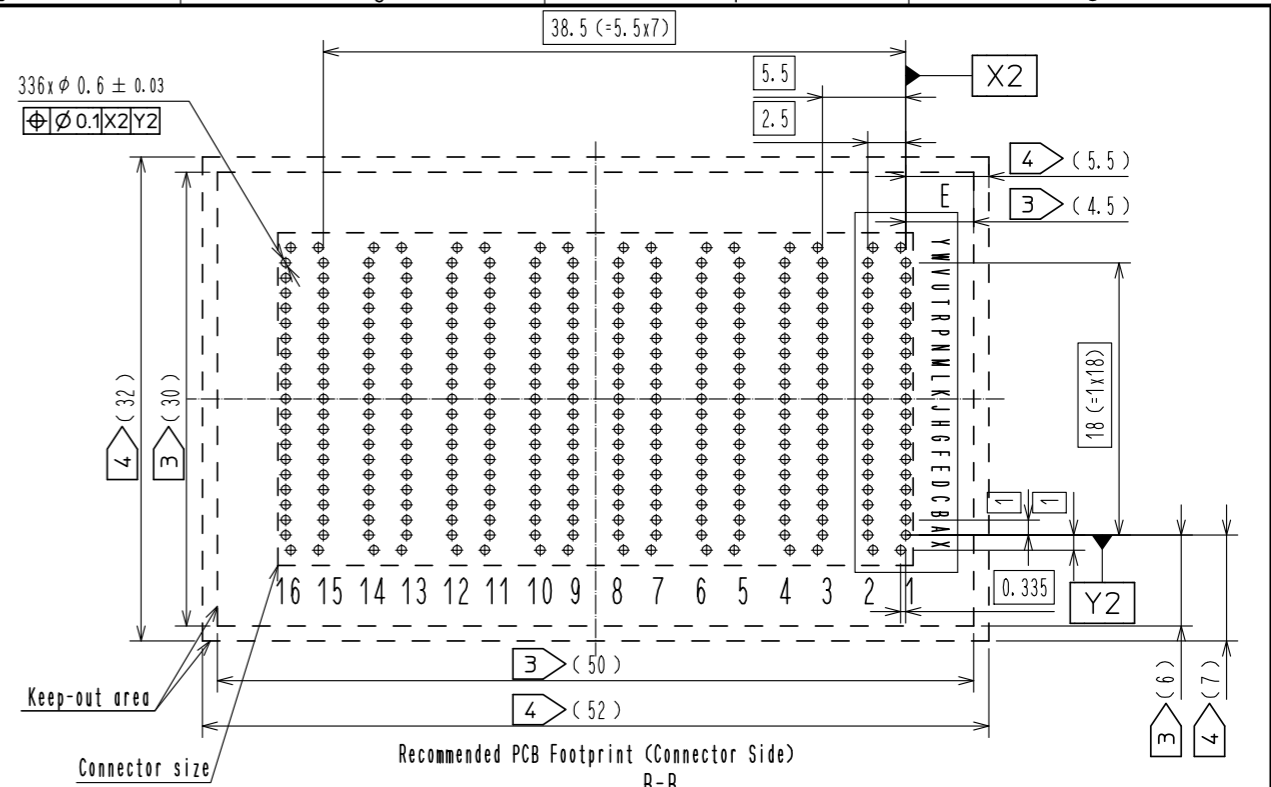
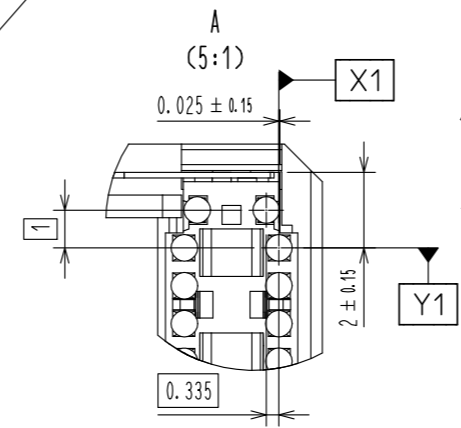


Figure 1 Example of Lot No., Serial No. and Product Height



- Note.
1. IT8 plug to be mated and unmated with IT8-S-\*\*H(\*\*) or IT8M-S-BGA-\*\*H(\*\*).
  2. Lot no., serial no. and product's height is marked at the approx. location shown.
  3. Minimum clearance for all devices.
  4. Minimum clearance for sensitive devices.
  5. Maximum coplanarity of the ball field is 0.18mm.
  6. Please remove the pick up cap (part No.5) from the IT8 connector after reflow soldering.
  7. The removed pick up cap (part No.5) should not be reused.
  8. Standard package of 72pcs are packaged in a carton box.
  9. This product is recommended to be used within four weeks after unpacked due to the possibility of oxidation of BGA.
  10. This product is a solder ball locations and coplanarity sensitive BGA connector. It is recommended to handle this product with the automated machine. Solder ball locations and coplanarity might be damaged accidentally when it is manually handled by assembly workers.

3	Copper alloy	Contact area: Nickel 1.27µm min. + Gold 0.76µm min.	6	HIPS	TRAY, GRAY
2	LCP	Other area: Nickel 1.27µm min.	5	PA-M	BLACK, UL94V-0
1	Copper alloy	Nickel 1.27µm min.	4	TIN	Sn(96.5)-Ag(3)-Cu(0.5)
NO.	MATERIAL	FINISH, REMARKS	NO.	MATERIAL	FINISH, REMARKS
UNITS mm		SCALE 2:1	COUNT 1	DESCRIPTION OF REVISIONS	
DIS-F-00004045		DESIGNED AS. MATSUZAWA	CHECKED MK. EZAKI	DATE 20181228	
APPROVED: MK. EZAKI 20150805		DRAWING NO. EDC-355936-00-00			
CHECKED: YS. TAKEUCHI 20150805		PART NO. IT8D-192P-BGA-0H			
DESIGNED: NH. TAMAI 20150805		CODE NO. CL636-3201-8-00			
DRAWN: NH. TAMAI 20150805					

