

## 2-AXIS MAGNETIC SENSOR

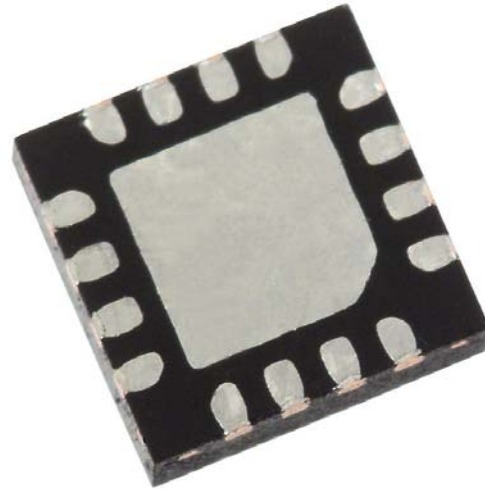
### Features

- Miniature 16-Pin LCC Package (3 x 3 x 0.9mm)
- Two AMR Bridges in One Package
- Wide Field Range of +/- 6 Gauss
- 1.0 mV/V/gauss Sensitivity
- High Accuracy Compassing
- Low Profile for Tight Space Constraints
- Patented On-chip Set/Reset Straps

### Product Description

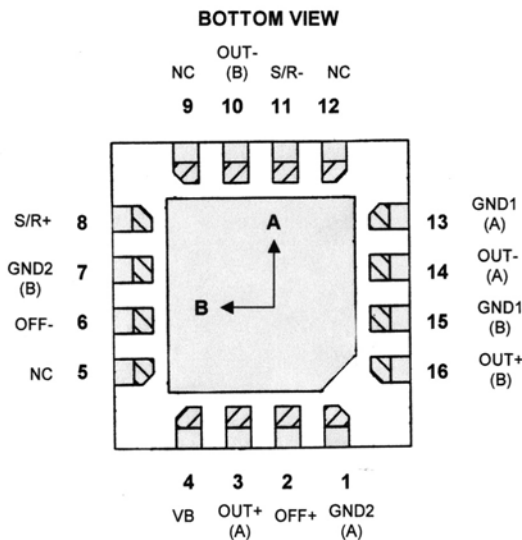
The Honeywell HMC1052L is a high performance magneto-resistive sensor design in a single package. The advantages of this design are magneto-resistive chips positioned for orthogonal two-axis sensing, miniature size and low height profile in a surface mount package.

Each of the magneto-resistive sensors are configured as a 4-element wheatstone bridges to convert magnetic fields to differential output voltages. Capable of sensing fields below 0.1 milligauss, this sensor offers a compact, low cost, high sensitivity and highly reliable solution for low field magnetic sensing.

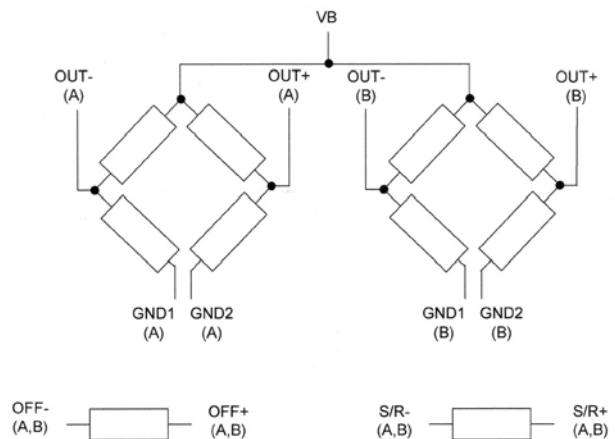


## DIAGRAMS

HMC1052 Pinout



HMC1052 Circuit Diagram



This datasheet has been downloaded from:

[www.DatasheetCatalog.com](http://www.DatasheetCatalog.com)

Datasheets for electronic components.