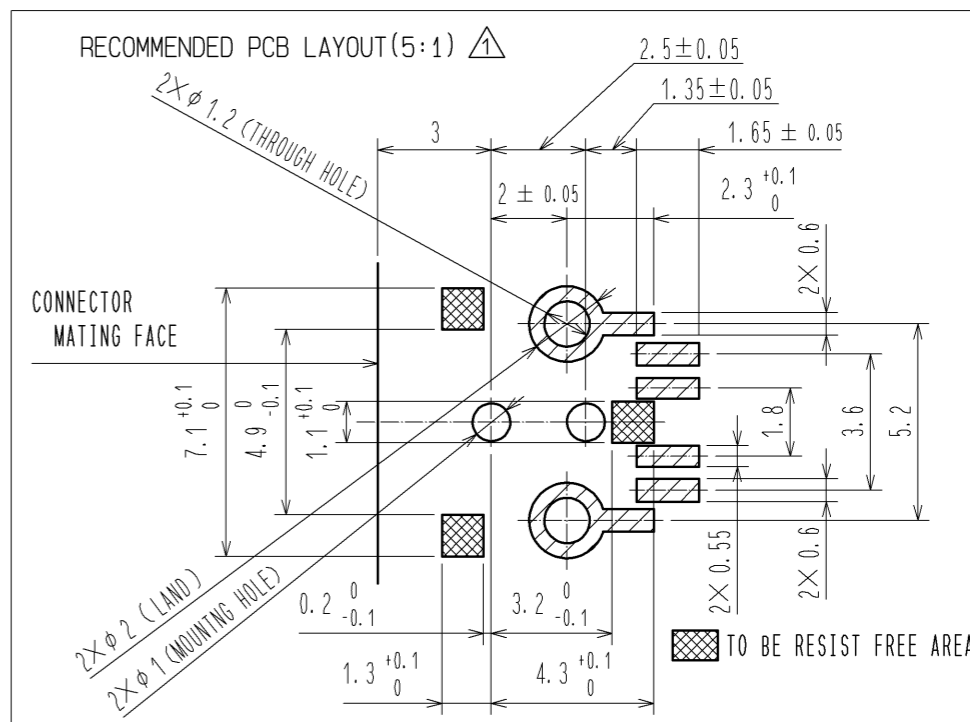
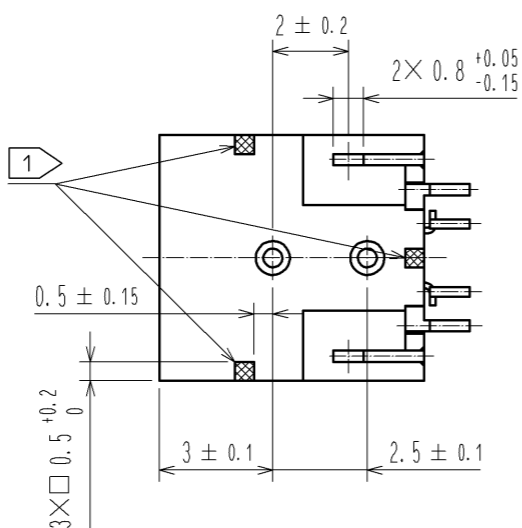
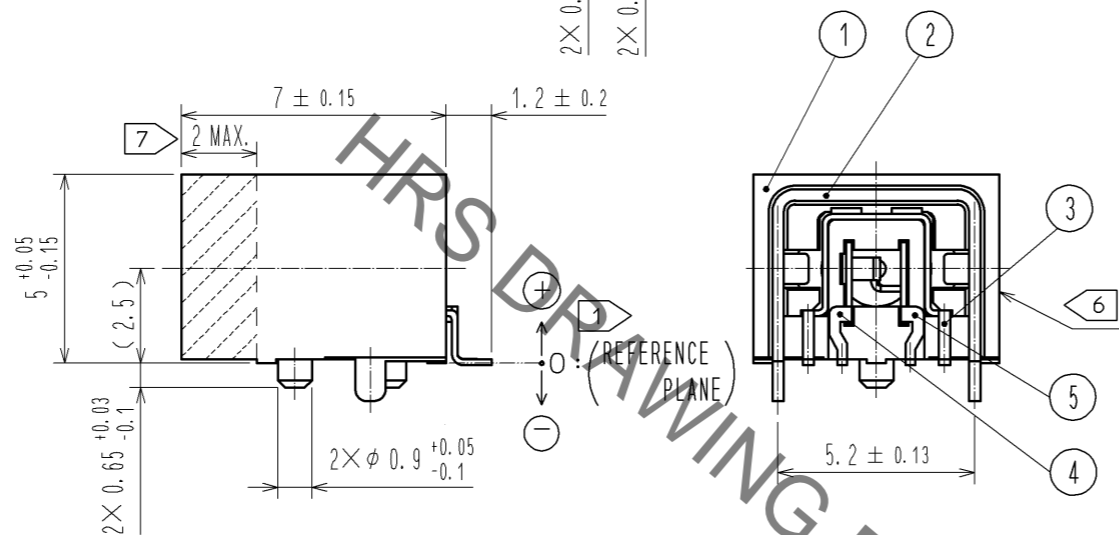
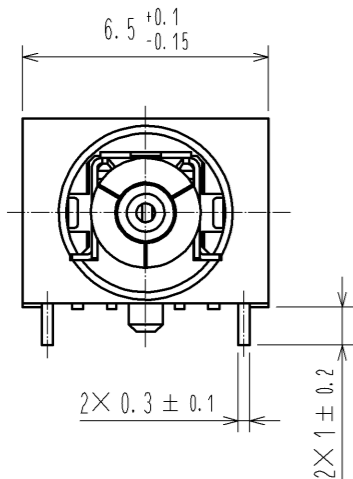
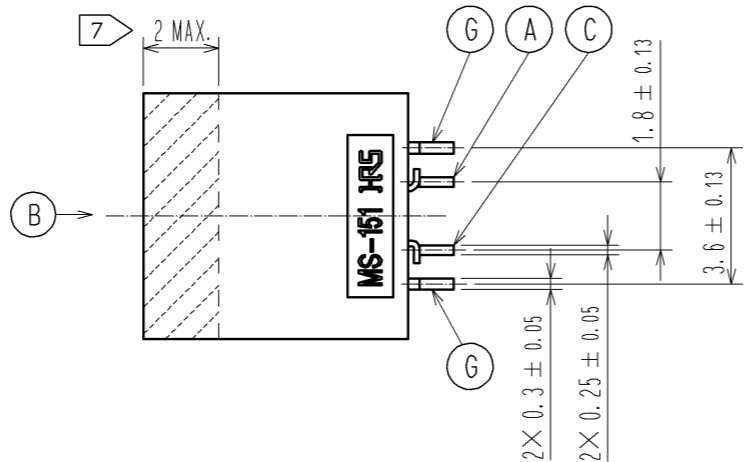
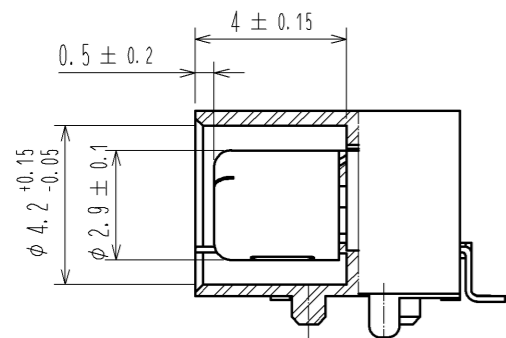


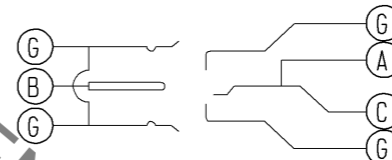
Aug.1.2022 Copyright 2022 HIROSE ELECTRIC CO., LTD. All Rights Reserved.
In case of consideration for using Automotive equipment / device which demand high reliability, kindly contact our sales window correspondents.

MATING FACE DIMENSIONS

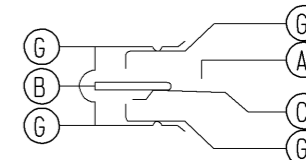


- NOTE 1 IS REFERENCE PLANE FOR PCB MOUNTING.
SMT READ COPLANARITY SHALL BE $-0.05^{+0.03}_{-0.07}$ FOR REFERENCE PLANE.
- USE THIS PRODUCT WITH MS-151-C(LP) AND EQUIVALENT CONTACT MATED.
 - COAXIAL SWITCH CIRCUIT SHALL BE AS FOLLOWS.

STATE OF CONTACT NONMATED
(N.C: NORMAL CLOSE)

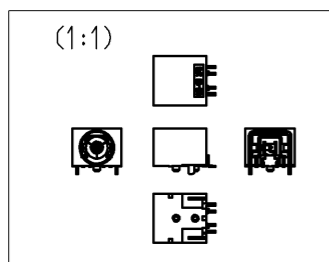
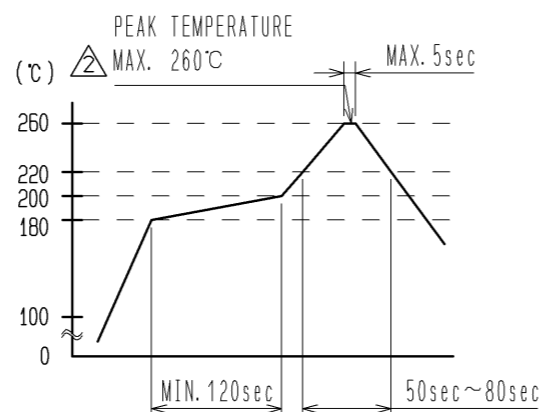


STATE OF CONTACT MATED
(N.O: NORMAL OPEN)



- THIS PRODUCT IS IMPOSSIBLE TO WASH.
- USE 0.15mm THICK METAL MASK.
- LOT NO. IS MARKED ON THE SPECIFIED SURFACE.
- FIX THE CONNECTOR WITH DEVICE CHASSIS AT THE AREA WITHIN 2mm FROM THE OPENING .

SPECIFIED REFLOW TEMPERATURE PROFILE FOR LEAD-FREE SOLDER



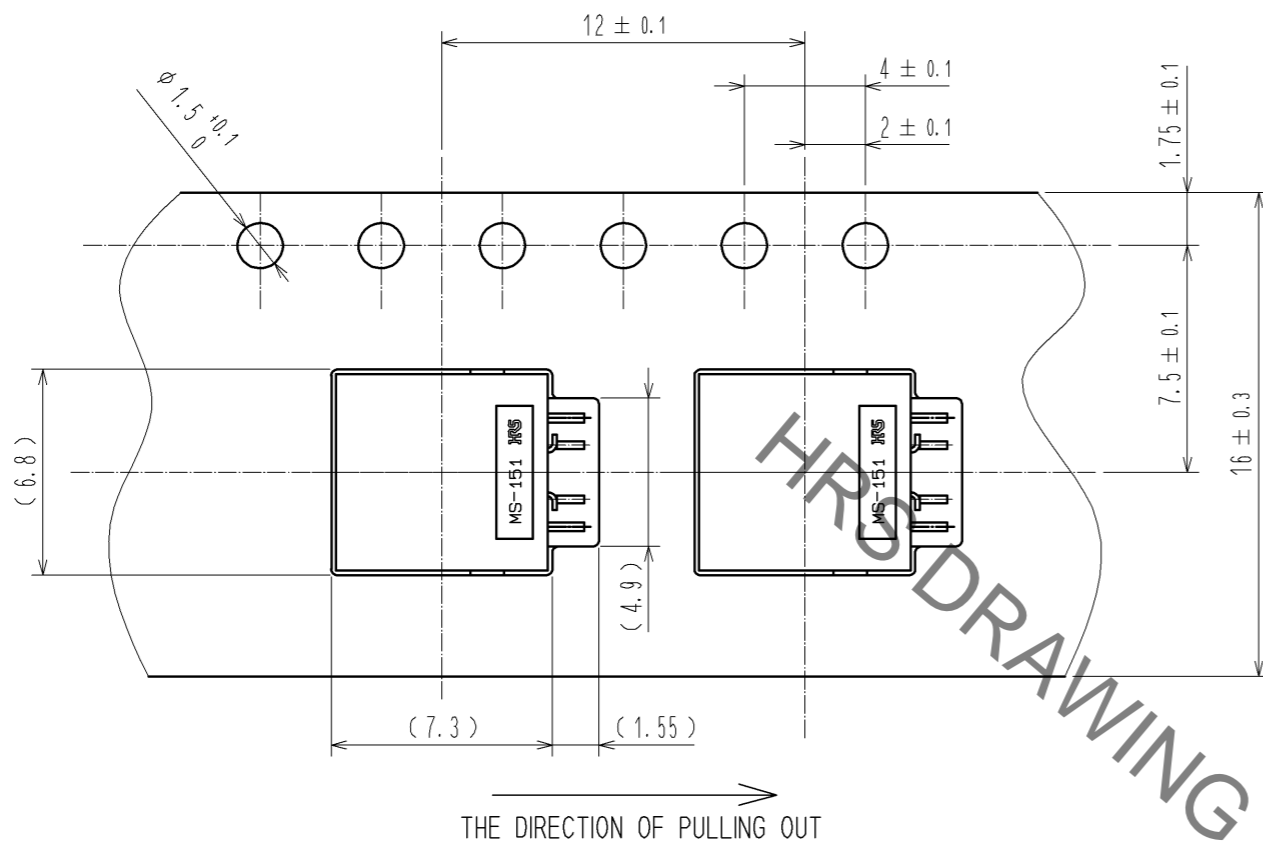
RoHS COMPLIANT

HALOGEN FREE COMPLIANT

3	PHOSPHOR BRONZE	SELECTIVE GOLD PLATING	7	PET	
2	STAINLESS STEEL	SELECTIVE GOLD PLATING	6	PS	
1	PA-M		5	PHOSPHOR BRONZE	SELECTIVE GOLD PLATING
			4	BERYLLIUM COPPER	SELECTIVE GOLD PLATING
部番	材質	処理, 備考	部番	材質	処理, 備考
UNITS mm		SCALE 5 : 1	△の数 1	訂正記事 DIS-D-003425	設計 RO. FURUYAMA
HRS HIROSE ELECTRIC CO., LTD.	承認 : MH. YAMANE 14. 01. 27	検 査 : NK. NINOMIYA 14. 01. 27	設 計 : TS. NAKAGAWA 14. 01. 23	製 図 : TS. NAKAGAWA 14. 01. 23	図番 : EDC3-353753-00
					製品名 : MS-151NB-1
					製品コード : CL358-0345-4-00
					年月日 : 14. 09. 30
					検 査 : NK. NINOMIYA

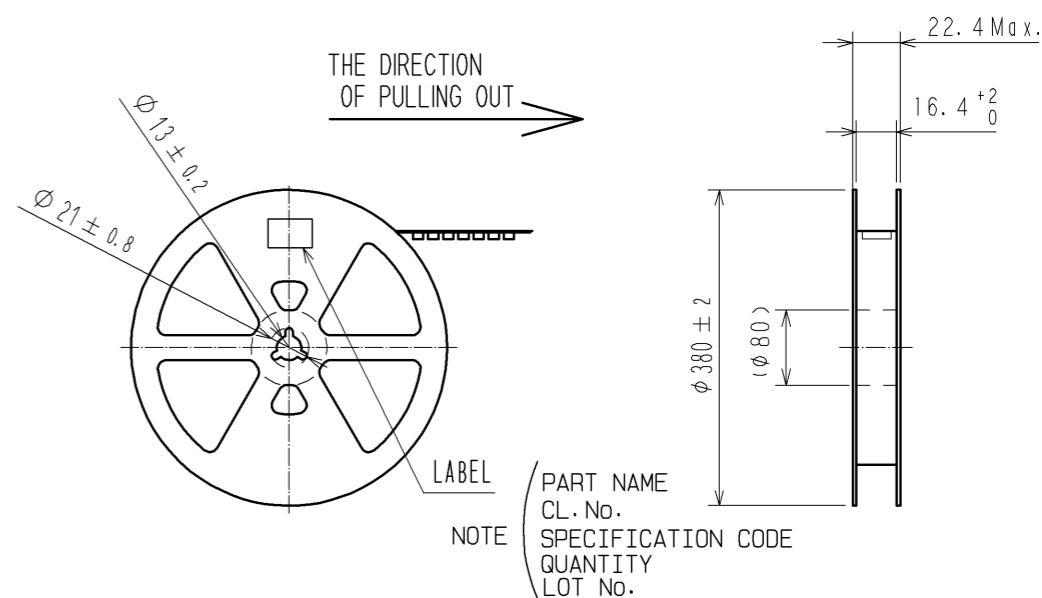
Aug.1.2022 Copyright 2022 HIROSE ELECTRIC CO., LTD. All Rights Reserved.
 In case of consideration for using Automotive equipment / device which demand high reliability, kindly contact our sales window correspondents.

TAPE AND REEL PACKING(4:1)



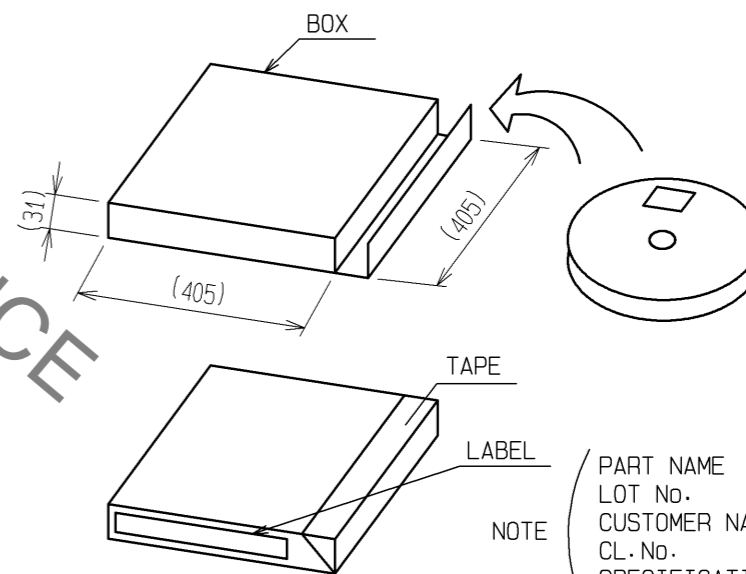
REEL DIMENSIONS (FREE)

1000 PCS PER REEL

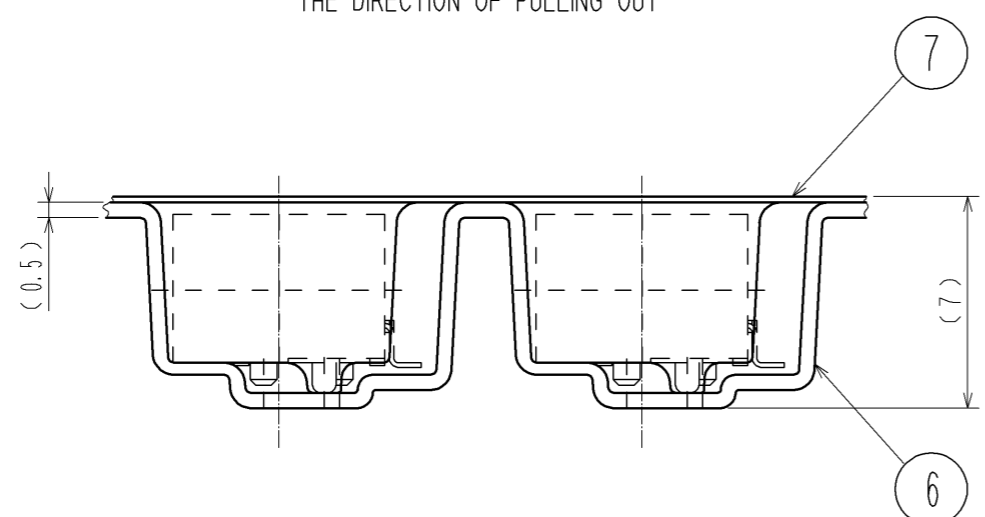


NOTE
 PART NAME
 CL. No.
 SPECIFICATION CODE
 QUANTITY
 LOT No.

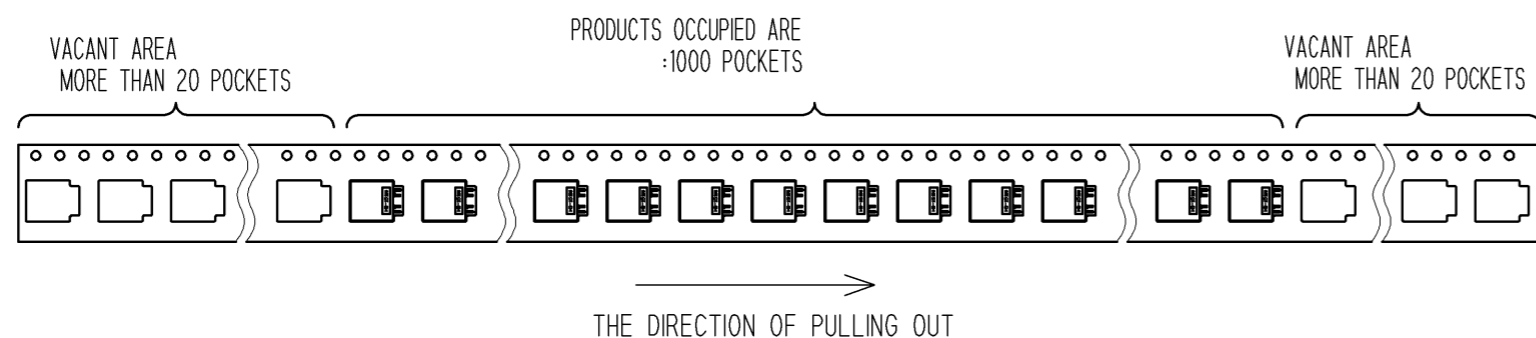
OUTER PACKAGING CASE (FREE)

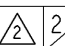


NOTE
 PART NAME
 LOT No.
 CUSTOMER NAME
 CL. No.
 SPECIFICATION CODE
 QUANTITY



PACKAGING SPECIFICATION(FREE)



HRS	図番:	EDC3-353753-00		2/2
	製品名:	MS-151NB-1		
	製品コード:	CL358-0345-4-00		