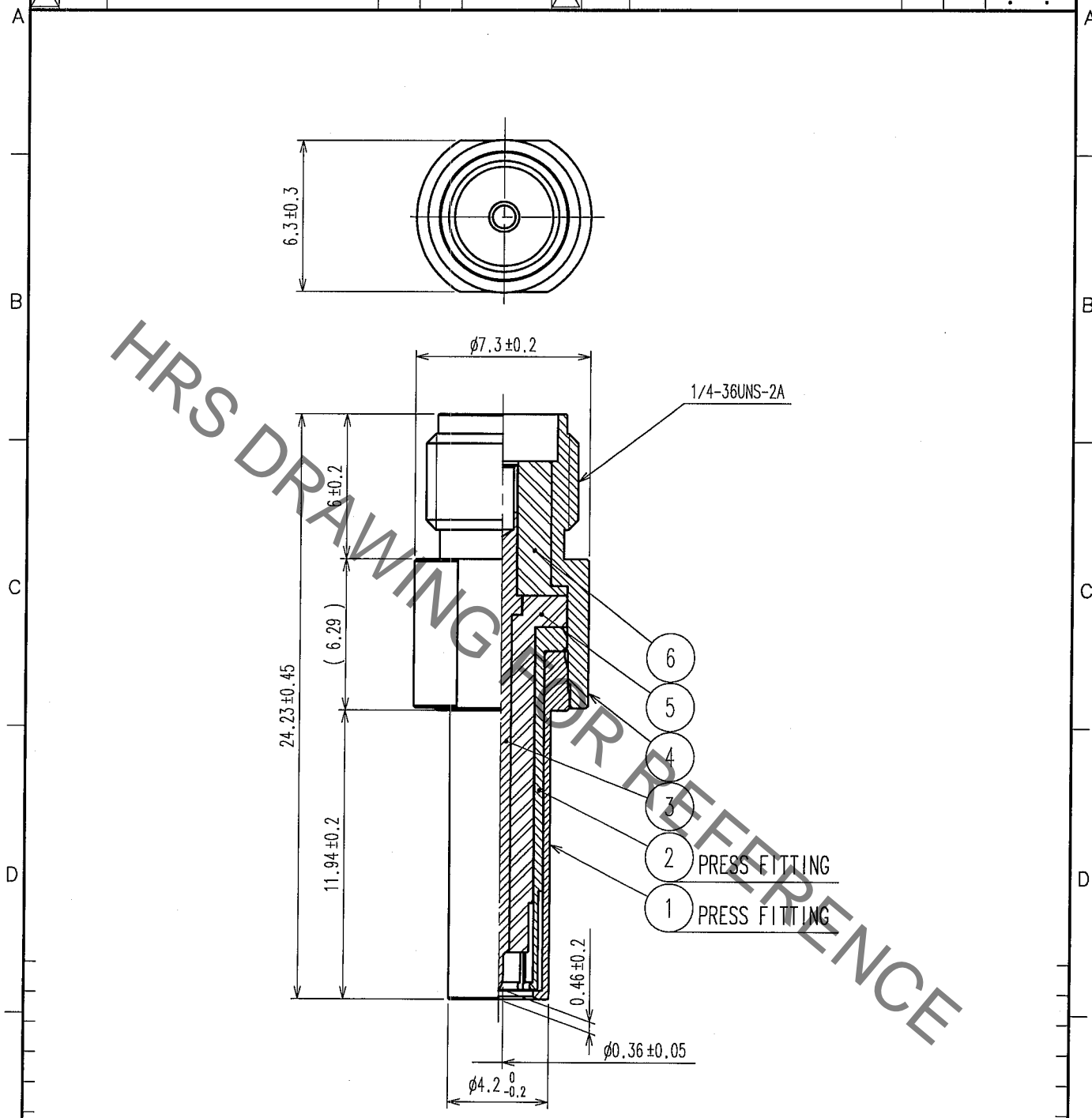


Aug.1.2022 Copyright 2022 HIROSE ELECTRIC CO., LTD. All Rights Reserved.  
In case of consideration for using Automotive equipment / device which demand high reliability, kindly contact our sales window correspondents.

1		2			3			4		
COUNT	DESCRIPTION OF REVISIONS	BY	CHKD	DATE	COUNT	DESCRIPTION OF REVISIONS	BY	CHKD	DATE	
△					△					
△					△					
△					△					



NOTE1. USE THIS PRODUCT WITH MS-162 AND EQUIVALENT CONTACT MATED.

3	BERYLLIUM COPPER	GOLD PLATING	6	PTFE	
2	BERYLLIUM COPPER	NICKEL PLATING	5	PTFE	
1	PHOSPHOR BRONZE	NICKEL PLATING	4	STAINLESS STEEL	PASSIVATE
NO.	MATERIAL	FINISH, REMARKS	NO.	MATERIAL	FINISH, REMARKS

CODE NO. (OLD)		DRAWN	DESIGNED	CHECKED	APPROVED	RELEASED
		<i>Y. Matsuo</i>	<i>Y. Matsuo</i>	<i>R. Kano</i>	<i>H. Kawamura</i>	
		07.6.4	07.6.4	07.6.6	07.6.6	

 SACLE 4 : 1 UNITS mm	DRAWING NO.	PART NO.
	EDC4-180546	MS-162-HRMJ-H1
 HIROSE ELECTRIC CO., LTD.	CODE NO.	
	CL358-0221-1	1/1