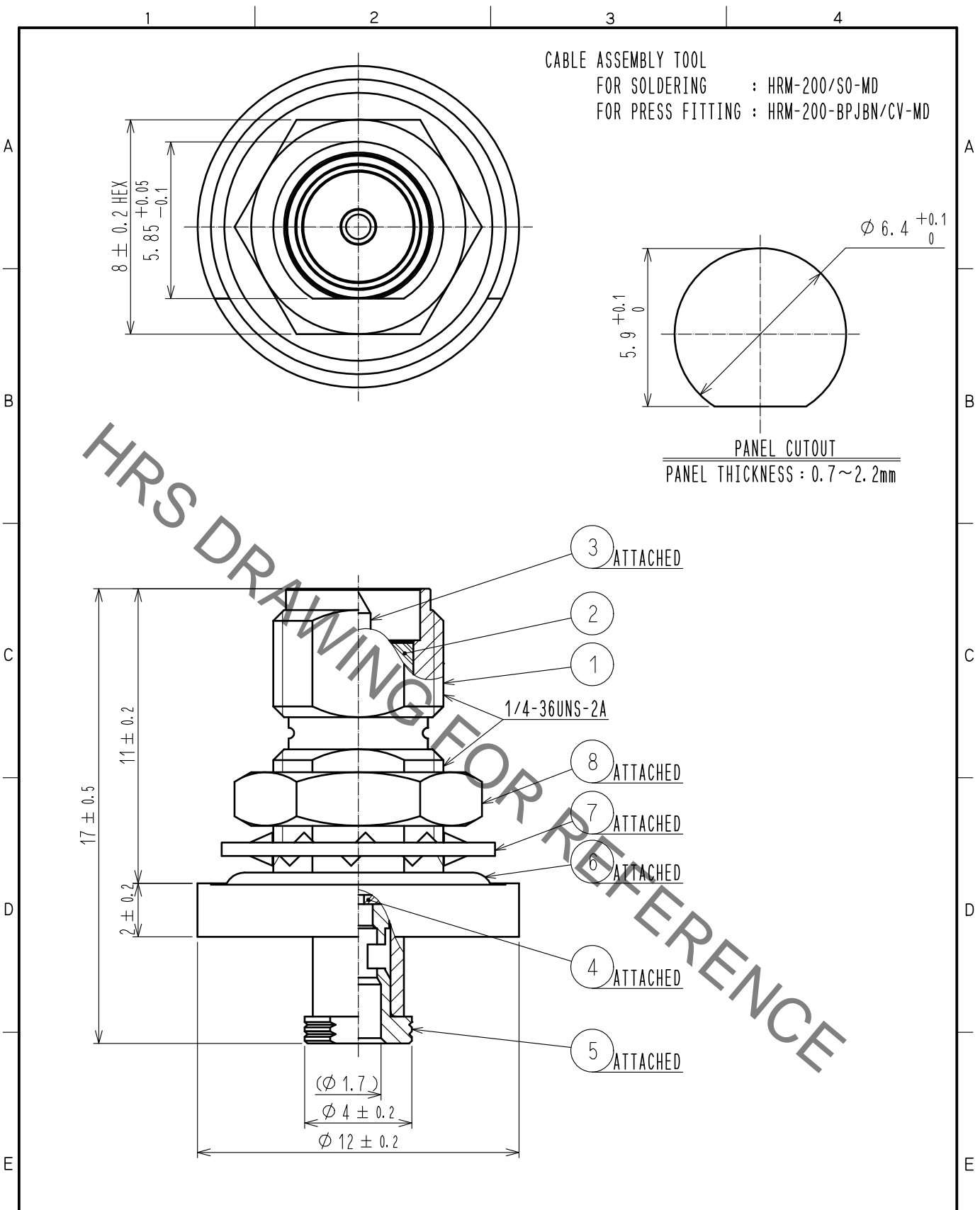


Aug.1.2022 Copyright 2022 HIROSE ELECTRIC CO., LTD. All Rights Reserved.  
In case of consideration for using Automotive equipment / device which demand high reliability, kindly contact our sales window correspondents.



CABLE ASSEMBLY TOOL  
 FOR SOLDERING : HRM-200/SO-MD  
 FOR PRESS FITTING : HRM-200-BPJBN/CV-MD

HRS DRAWING FOR REFERENCE

4	PTFE		8	BRASS	NICKEL PLATING
3	BRASS	GOLD PLATING	7	BRASS	NICKEL PLATING
2	PTFE		6	SILICONE RUBBER	(RED)
1	BRASS	NICKEL PLATING	5	BRASS	GOLD PLATING
NO.	MATERIAL	FINISH . REMARKS	NO.	MATERIAL	FINISH . REMARKS

UNITS mm		SCALE 5 : 1	COUNT 1	DESCRIPTION OF REVISIONS DIS-D-00003104	DESIGNED KY. SHIMIZU	CHECKED TO. KATAYAMA	DATE 18. 04. 27
<b>HRS</b> HIROSE ELECTRIC CO., LTD. APPROVED : TO. KATAYAMA 18. 04. 04 CHECKED : TO. KATAYAMA 18. 04. 04 DESIGNED : KY. SHIMIZU 18. 04. 04 DRAWN : KY. SHIMIZU 18. 04. 04				DRAWING NO. EDC-352880-00-00 PART NO. SMA(R)-200-088WBPJBN CODE NO. CL323-0949-9-00			